

# FoodSaver™

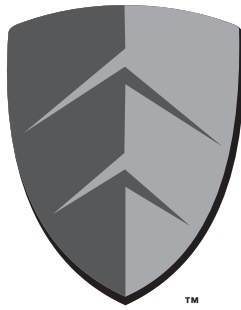
- VACUUM SEALING SYSTEM
- SYSTÈME D'EMBALLAGE SOUS VIDE
- VAKUUMVERPACKUNGSSYSTEM
- SISTEMA DE ENVASADO AL VACÍO
- SISTEMA PARA EMBALAR EM VÁCUO
- SISTEMA DI CONFEZIONAMENTO SOTTOVUOTO
- VACUÛMVERPAKKINGSSYSSTEEM
- VAKUUMFÖRSEGLINGSSYSTEM
- TYHJIÖPÄKKAUSLAITE
- VAKUUMFÖRSEGLINGSSYSTEM
- VAKUUMFÖRSEGLINGSSYSTEM
- SYSTEM PAKOWANIA PRÓŻNIOWEGO
- VAKUOVÁ BALIČKA
- VÁKUOVÁ BALIČKA POTRAVÍN
- SISTEM DE SIGILARE ÎN VID
- СИСТЕМА ЗА ВАКУУМИРАНЕ И ЗАПЕЧАТВАНЕ
- ΣΥΣΤΗΜΑ ΣΦΡΑΓΙΣΗΣ ΣΤΟ ΚΕΝΟ



EN	USER INSTRUCTIONS
FR	NOTICE D'UTILISATION
DE	BEDIENUNGSANLEITUNG
ES	INSTRUCCIONES PARA EL USUARIO
PT	INSTRUÇÕES DE UTILIZAÇÃO
IT	ISTRUZIONI PER L'USO
NL	GEBRUIKSAANWIJZING
SE	BRUKSANVISNING
FI	KÄYTTÖOHJEET

DK	BRUGERVEJLEDNING
NO	BRUKSANVISNING
PL	INSTRUKCJA OBSŁUGI
CZ	NÁVOD K POUŽITÍ
SK	POKYNY PRE POUŽÍVATEĽA
RO	INSTRUCȚIUNI DE UTILIZARE
BG	ИНСТРУКЦИИ ЗА ПОТРЕБИТЕЛЯ
GK	ΟΔΗΓΙΕΣ ΧΡΗΣΤΗ

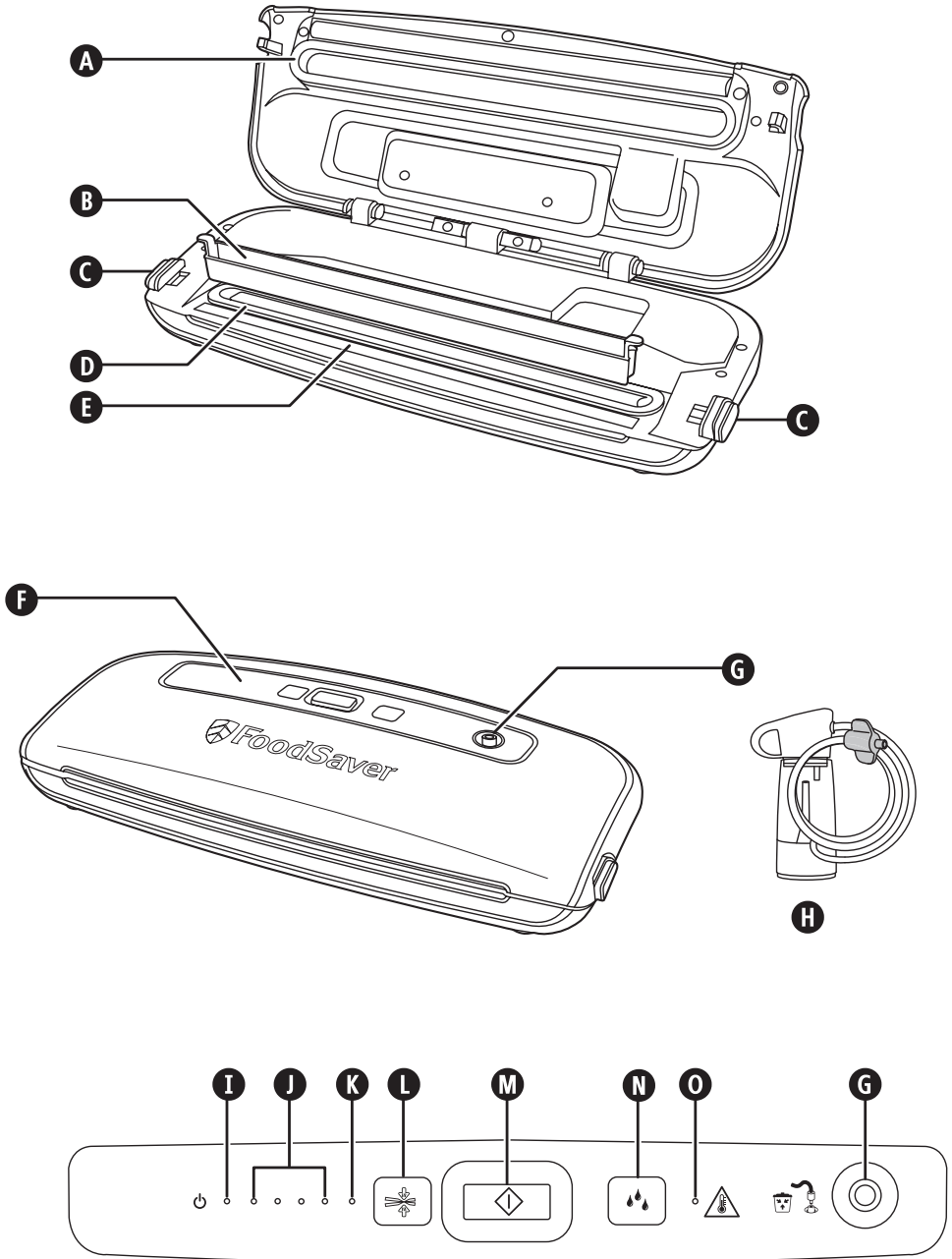
**FFS015X**



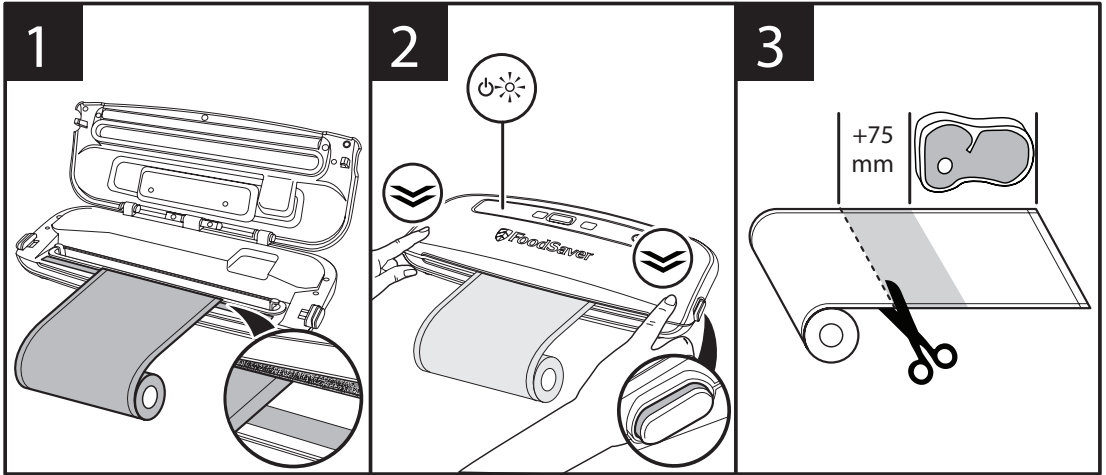
[www.foodsaver europe.com](http://www.foodsaver europe.com)

English	6
Français/French	13
Deutsch/German	20
Español/Spanish	28
Português/Portuguese	35
Italiano/Italian	42
Nederlands/Dutch	49
Svenska/Swedish	56
Suomi/Finnish	62
Dansk/Danish	68
Norsk/Norwegian	74
Polski/Polish	80
Česky/Czech	87
Slovenčina/Slovakian	93
Română/Romanian	99
български/Bulgarian	106
ΕΛΛΗΝΙΚΑ/Greek	113

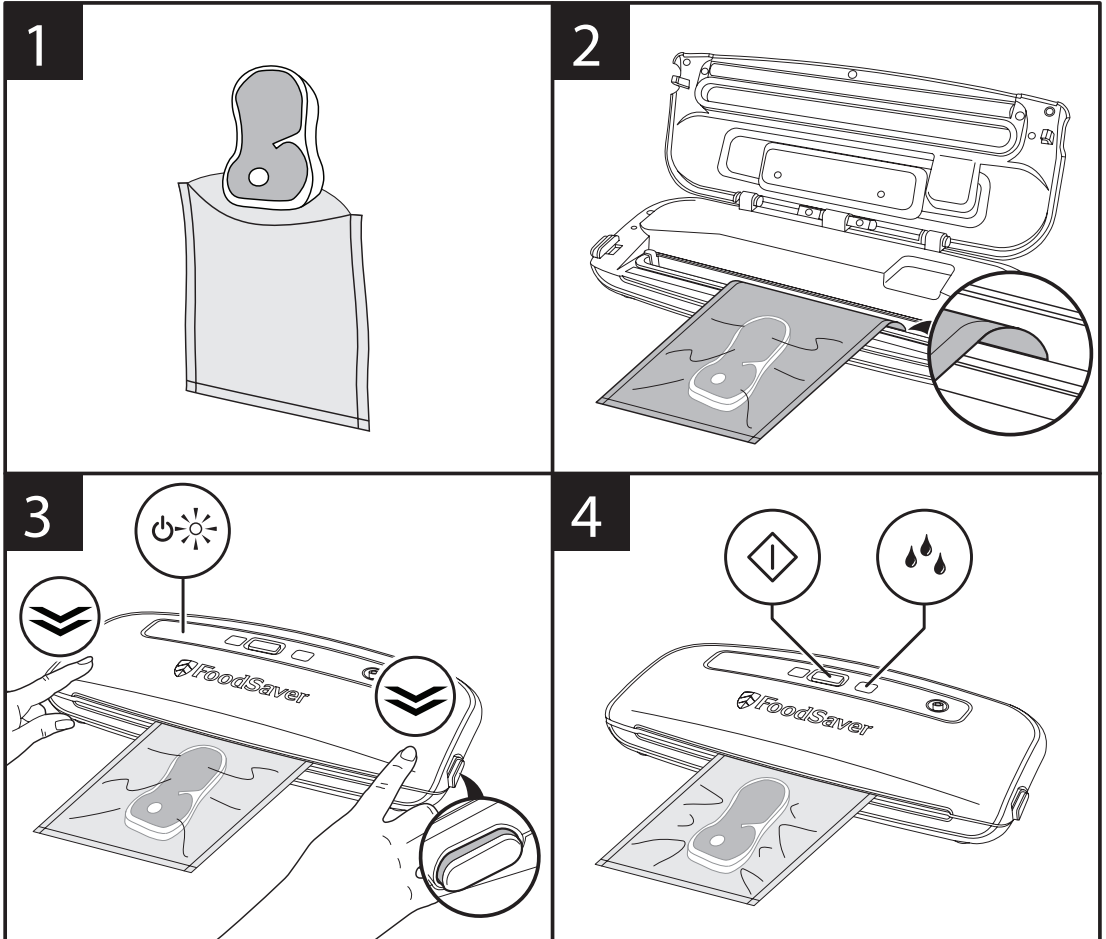
**FIG. 1**



**FIG. 2**



**FIG. 3**



## Important Safeguards

This appliance can be used by children aged from 8 years and above and persons with reduced physical, sensory or mental capabilities or lack of experience and knowledge if they have been given supervision or instruction concerning use of the appliance in a safe way and understand the hazards involved. Children shall not play with the appliance. Cleaning and user maintenance shall not be made by children without supervision.

If the supply cord is damaged, it must be replaced by the manufacturer, or its service agent or a similarly qualified person in order to avoid a hazard.

- Always use the appliance on a stable, secure, dry and level surface.
- **CAUTION: THIS SEALER IS NOT FOR COMMERCIAL USE.** Never use this appliance for anything other than its intended use. This appliance is for household use only. Do not use this appliance outdoors.
- Never immerse the appliance or power cord and plug in water or any other liquid.
- Do not use the appliance if it has been dropped or if there are any visible signs of damage.
- Ensure the appliance is switched off and unplugged from the supply socket after use, before cleaning.
- To disconnect, unplug the power cord from the electrical outlet. Do not disconnect by pulling on the cord.
- Do not use an extension cord with the appliance.
- Use only accessories or attachments recommended by the manufacturer.
- When reheating foods in FoodSaver™ bags make sure to place them in water at a low simmering temperature below 75°C (170°F).
- **FOODS INSIDE BAG CAN BE DEFROSTED BUT NOT REHEATED IN A MICROWAVE OVEN.** When defrosting foods in the microwave in FoodSaver™ bags make sure not to exceed maximum power of 180 watts (defrost setting), maximum time of 2 minutes and maximum temperature of 70°C (158°F).

**SAVE THESE INSTRUCTIONS**

## FoodSaver™ Vacuum Sealing System

### Why Vacuum Package?

Exposure to air causes food to lose nutrition and flavour, and also enables many types of bacteria, mould and yeast to grow. The FoodSaver™ vacuum packaging system removes air and seals in flavour and quality. With a full line of FoodSaver™ bags, and canisters to expand your options, you can now enjoy the benefits of a scientifically proven food storage method that keeps food fresh up to five times longer.

### The FoodSaver™ System Saves Time and Money

- **Spend less money.** With the FoodSaver™ system, you can buy in bulk or buy on sale and vacuum package your food in desired portions without wasting food.
- **Save more time.** Cook ahead for the week, preparing meals and saving them in FoodSaver™ bags.
- **Marinate in minutes.** Vacuum packaging opens up the pores of food so you can get that great marinated flavour in just 20 minutes instead of overnight.
- **Make entertaining easy.** Make your signature dish in advance so you can spend quality time with your guests.
- **Enjoy seasonal or specialty foods.** Keep highly perishable or infrequently used items fresh longer.
- **Control portions for dieting.** Vacuum package sensible portions and write the calories and fat content on the bag.
- **Protect non-food items.** Keep camping and boating supplies dry and organised for outings. Protect polished silver from tarnishing by minimizing exposure to air.

## FoodSaver™ Accessories

Get the most out of your FoodSaver™ appliance with easy-to-use FoodSaver™ bags, canisters and accessories.

### FoodSaver™ Bags and Rolls

FoodSaver™ bags and rolls feature special channels that enable the efficient removal of air. The multiply construction makes them an especially effective barrier to oxygen and moisture and helps to prevent freezer burn. FoodSaver™ bags and rolls come in a variety of sizes.

## FoodSaver™ Canisters

FoodSaver™ canisters are simple to use and ideal for vacuum packaging delicate items such as muffins and other baked goods, liquids and dry goods.

## FoodSaver™ Fresh Zipper Bags

FoodSaver™ Zipper Bags feature special channels that enable the efficient removal of air. The multiply construction makes them an especially effective barrier to oxygen and moisture.

## FoodSaver™ Fresh Containers

FoodSaver™ Fresh Containers are simple to use and ideal for vacuum packaging delicate items such as muffins and other baked goods, liquids and dry goods.

## FoodSaver™ Bottle Stopper

Use FoodSaver™ bottle stoppers to vacuum package wine, non-carbonated liquids and oils. This will extend the life of the liquid and preserve the flavour. Don't use the bottle stopper on plastic bottles.

## FoodSaver™ Quick Marinator

The quick marinator infuses food with flavour in minutes instead of hours using vacuum power to penetrate marinades deep into the food.

## Ordering

To order FoodSaver™ bags, rolls and accessories please visit [www.foodsaver.co.uk](http://www.foodsaver.co.uk).

## Parts

Referring to Fig. 1:

- |                              |                                 |
|------------------------------|---------------------------------|
| <b>A</b> Upper gasket        | <b>I</b> Power light            |
| <b>B</b> Removable drip tray | <b>J</b> Progress lights        |
| <b>C</b> Lid latch           | <b>K</b> Sealing progress light |
| <b>D</b> Lower gasket        | <b>L</b> Seal Only button       |
| <b>E</b> Sealing strip       | <b>M</b> Vacuum and Seal button |
| <b>F</b> Control panel       | <b>N</b> Moist Food button      |
| <b>G</b> Accessory port      | <b>O</b> Overheat warning light |
| <b>H</b> Handheld sealer     |                                 |

## Making a bag from a FoodSaver™ roll

You can make your own custom sized bags from a FoodSaver™ roll. Referring to Fig. 2:

1. Plug your vacuum sealer into a mains supply socket. Press both latches **C** and open the lid. Place the open end of the roll over the sealing strip **E** so that the end of the roll butts up to the front edge of the lower gasket. **Don't let the end of the bag enter the drip tray.**
2. Close the lid all the way until the latches **C** pop out. When correctly closed, a green band will appear around the latch and the green power light **I** will come on.
3. Press the Seal Only button **L** or the Vacuum and Seal button **M**.
4. When the red sealing progress light **K** goes out, press both latches and remove the roll. The end of the roll will now have been sealed.
5. Measure the required length for the item being packaged. Add an extra 75mm to allow the bag to be sealed then cut the roll straight across.

## Using Your Vacuum Sealer

Referring to Fig. 3:

1. Place the item to be packaged into the bag. You can use a ready made FoodSaver™ bag or make your own from a FoodSaver™ roll.
2. Place the open end of the bag into the slot of the drip tray **B**.
3. Close and latch the lid. When correctly closed, a green band will appear around the latch and the green power light **I** will come on.
4. Press the Vacuum and Seal button **M**.
5. Your vacuum packager will start to remove the air from the bag and then seal it. When the progress lights **J** have stopped and the red sealing progress light **K** has gone out, the process is complete.

## Packaging moist foods

If you are packaging foods that are moist or are very juicy, press the Moist Food button **N** BEFORE pressing the Vacuum and Seal button.

## Sealing a bag without removing any air

To seal a bag without extracting the air from it press the Seal Only button **L**. You can seal the types of bag that are used to package snacks such as potato crisps, tortilla chips, etc.

## Sealing delicate items

Some items such as pastries, bread, biscuits, etc. can be crushed when sealing. To prevent this, use the Seal Only button **L** as follows:

1. Follow steps 1, 2, 3 and 4 of 'Using Your Vacuum Sealer'.
2. Press the Seal Only button **L** before crushing occurs. This will immediately stop more air from being extracted and then seal the bag.

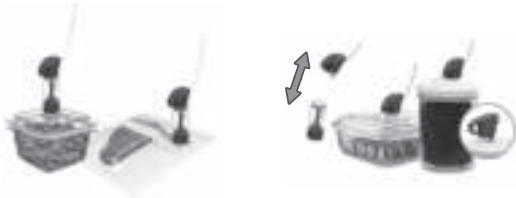
## Using FoodSaver® accessories

To vacuum seal a Fresh Zipper Bag or Fresh Container:

1. Insert the connector end of the handheld sealer **H** into the accessory port **G** on the FoodSaver® appliance.
2. Fit the end of the handheld sealer over the valve on the accessory and make sure that it is connected firmly. Follow any specific instructions that come with the FoodSaver® accessory.

**Note:** To vacuum seal a FoodSaver® Canister, remove the reservoir (clear bottom section) of the sealer by pulling it down and off the top section. Insert the tip of the sealer into the port on the canister.

3. Press the Vacuum and Seal button **M**.
4. When the progress lights **J** have stopped and the red sealing progress light **K** has gone out, the process is complete.



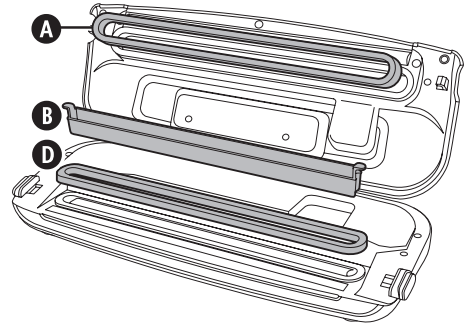
## Care and Cleaning

**Never immerse the unit or power cord and plug in water or any other liquid. Always unplug the unit before cleaning.**

Wipe over the body of the unit with a soft, dry cloth.

Remove and empty the drip tray **B** after each use. Wash it in warm soapy water or place it in the top rack of a dishwasher. Dry thoroughly before refitting.

Check the upper gasket **A**, lower gasket **D** and around the drip tray to make sure they are free from food debris. Wipe the gaskets with a warm soapy cloth if needed. The gaskets may be removed for cleaning. Clean them with warm, soapy water. Dry thoroughly then carefully refit.



Remove the reservoir of the handheld sealer after each use. Wash it in warm soapy water and air dry thoroughly before replacing.

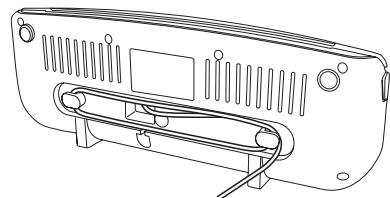
To keep your FoodSaver™ appliance operating effectively, we recommend that you replace the gaskets every year.

To order replacements, please visit [www.foodsaver.co.uk](http://www.foodsaver.co.uk) or contact FoodSaver™ Brand Customer Service on **0800 525 089**.

## Storage

Close the lid to the first 'click' until the latches catch but don't pop out and reveal the green band. This is enough to secure the lid but avoids compressing the gaskets (which may cause incorrect functioning of the unit).

Wrap the cable around the cleats underneath the unit. The unit can be stored stood upright as shown.





# Storage Guide, Hints and Tips

## Vacuum Packaging and Food Safety

The vacuum packaging process extends the life of foods by removing most of the air from the sealed container, thereby reducing oxidation, which affects nutritional value, flavour and overall quality. Removing air can also inhibit growth of microorganisms, which can cause problems under certain conditions:

To preserve foods safely, it is critical that you maintain low temperatures. You can significantly reduce the growth of microorganisms at temperatures of 4°C or below.

Freezing at -17°C does not kill microorganisms, but stops them from growing. For long-term storage, always freeze perishable foods that have been vacuum packaged, and keep refrigerated after thawing.

It is important to note that vacuum packaging is NOT a substitute for canning and it cannot reverse the deterioration of foods. It can only slow down the changes in quality. It is difficult to predict how long foods will retain their top-quality flavour, appearance or texture because it depends on age and condition of the food on the day it was vacuum packaged.

Important: Vacuum packaging is NOT a substitute for refrigeration or freezing. Any perishable foods that require refrigeration must still be refrigerated or frozen after vacuum packaging. To avoid possible illness, do not reuse bags after storing raw meats, raw fish or greasy foods. Do not reuse bags that have been microwaved or simmered.

## Thawing and Reheating Vacuum Packaged Foods



Always thaw foods in a refrigerator or a microwave oven – do not thaw perishable foods at room temperature.

Foods inside bag can be defrosted but not reheated in a microwave oven. When defrosting foods in the microwave in FoodSaver™ bags make sure not to exceed maximum power of 180 watts (defrost setting), maximum time of 2 minutes and maximum temperature of 70°C (158°F). You can also reheat foods in FoodSaver™ Bags by placing them in water at a low simmer below 75°C (170°F). Follow any specific instructions that come with the FoodSaver™ speciality bags.

# Preparation Guidelines

## Meat and Fish



For best results, pre-freeze meat and fish for 1-2 hours before vacuum sealing in a FoodSaver™ Bag. This helps retain the juice and shape, and guarantees a better seal. If it's not possible to pre-freeze, place a folded paper towel between meat or fish and top of bag, but below seal area.

Leave a paper towel in bag to absorb excess moisture and juices during the vacuum sealing process.

**Note:** Beef may appear darker after vacuum sealing due to the removal of oxygen. This is not an indication of spoilage.

## Hard Cheeses



To keep cheese fresh, vacuum seal it after each use. Make your FoodSaver™ Bag extra long, allowing 25mm of bag material for each time you plan to open and reseal, in addition to the 75mm room you normally leave between contents and seal.

Simply cut sealed edge and remove cheese. When you're ready to reseal the cheese, just drop it in bag and reseal.

Important: Due to the risk of anaerobic bacteria, soft cheeses should never be vacuum sealed.

## Vegetables



Vegetables need to be blanched before vacuum sealing. This process stops the enzyme action that could lead to loss of flavour, colour and texture.

To blanch vegetables, place them in boiling water or in the microwave until they are cooked, but still crisp. Blanching times range from 1 to 2 minutes for leafy greens and peas; 3 to 4 minutes for snap peas, sliced courgette or broccoli; 5 minutes for carrots; and 7 to 11 minutes for corn on the cob. After blanching, immerse vegetables in cold water to stop the cooking process. Finally, dry vegetables on a towel before vacuum sealing.

**Note:** All vegetables (including broccoli, Brussels sprouts, cabbage, cauliflower, kale, turnips) naturally emit gases during storage. Therefore, after blanching, they must be stored in freezer only.

When freezing vegetables, it is best to pre-freeze them for 1-2 hours or until solidly frozen. To freeze vegetables in individual servings, first place on a baking sheet and spread them out so they are not touching. This prevents them from freezing together in a block. Once they are frozen, remove from baking sheet and vacuum seal vegetables in a FoodSaver™ Bag. After they have been vacuum sealed, return them to the freezer.

**Important:** Due to the risk of anaerobic bacteria, fresh mushrooms, onions and garlic should never be vacuum sealed.

### Leafy Vegetables



For best results, use a canister to store leafy vegetables. First wash the vegetables, and then dry with a towel or salad spinner. After they are dried, put them in a canister and vacuum seal as normal. Store in the refrigerator.

### Fruits



When freezing soft fruits or berries, it is best to pre-freeze them for 1-2 hours or until solidly frozen. To freeze fruit in individual servings, first place on a baking sheet and spread them out so they are not touching. This prevents them from freezing together in a block. Once they are frozen, remove from baking sheet and vacuum seal fruit in a FoodSaver™ Bag.

After they have been vacuum sealed, return them to the freezer. You can vacuum seal portions for baking or in your favourite combinations for easy fruit salad all year round. If storing in the refrigerator, we recommend using a FoodSaver™ Canister.

### Baked Goods



To vacuum seal soft or airy baked goods, we recommend using a FoodSaver™ Canister so they will hold their shape. If using a bag, pre-freeze for 1-2 hours or until solidly frozen. To save time, make cookie dough, pie shells, whole pies, or mix dry ingredients in advance and vacuum seal for later use.

### Coffee and Powdery Foods



To prevent food particles from being drawn into vacuum pump, place a coffee filter or paper towel at top of bag or canister before vacuum sealing. You can also place the food in its original bag inside a FoodSaver™ Bag, or use a FoodSaver™ Universal Lid with the original container to vacuum seal.

### Liquids



Before you vacuum seal liquids such as soup stock, pre-freeze in a casserole dish, loaf pan or ice cube tray until solid. Remove frozen liquid from pan and vacuum seal in a FoodSaver™ Bag. You can stack these 'frozen bricks' in your freezer.

When you're ready to use, just cut corner of bag and place in a dish in microwave or drop into water at a low simmer, below 75°C (170°F).

To vacuum seal non-carbonated bottled liquids, you can use a FoodSaver™ Bottle Stopper with the original container.

Remember to leave at least 25mm of room between contents and the bottom of the Bottle Stopper. You can reseal bottles after each use.

### Pre-Made Meals, Leftovers and Sandwiches



Efficiently store your pre-made meals, leftovers and sandwiches in the stackable, lightweight FoodSaver™ Containers. They are microwavable, top rack dishwasher safe and come with a custom adaptor.


The lightweight containers will be ready to head off to the office, to school or the great outdoors whenever you are!

### Snack Foods



Your snack foods will maintain their freshness longer when you vacuum seal them. For best results, use a FoodSaver™ Canister for crushable items like crackers.

# Troubleshooting

Problem	Solution
Overheat warning light  comes on	<ul style="list-style-type: none"> <li>The unit has overheated. Wait until the overheat warning light goes out before using.</li> </ul>
Pump operates for more than 2 minutes without air being removed.	<ul style="list-style-type: none"> <li>Make sure the open end of the bag is inserted into the drip tray.</li> <li>Check to make sure both gaskets are fitted properly.</li> <li>Check to make sure that at least one end of the bag is sealed.</li> <li>Open the unit and check to make sure that there are no foreign objects, dirt or debris on the upper or lower gaskets.</li> <li>Make sure there is enough room at the top of the bag (75 mm) so it will fit into the drip tray with lid closed and latched.</li> <li>Make sure the handheld sealer is not attached.</li> <li>Make sure the lid is fully closed (the green band is showing around the latch and the green power light is on).</li> </ul>
Bag is not sealing properly.	<ul style="list-style-type: none"> <li>There is too much liquid in the bag. Freeze the bag contents before vacuuming.</li> <li>To prevent wrinkles in the seal, gently stretch the bag flat while inserting the bag into the drip tray and continue to hold bag until vacuum pump starts.</li> <li>Create a second seal above the first seal on the bag to ensure a proper seal when sealing moist foods.</li> </ul>
Nothing happens when latch is closed and Vacuum and Seal button or Seal Only button is pressed.	<ul style="list-style-type: none"> <li>Make sure the lid is fully closed (the green band is showing around the latch and the green power light is on).</li> </ul>
If you need further assistance:	<ul style="list-style-type: none"> <li>Please visit <a href="http://www.foodsavereurope.com">www.foodsavereurope.com</a>.</li> </ul>

## Fitting a Plug (UK/Ireland only)

If the plug is not suitable for the socket outlets in your home, it can be removed and replaced by a plug of the correct type. If you remove the plug it must not be connected to a 13 amp socket and the plug must be disposed of immediately.

NOTE: If the terminals in the plug are not marked or if you are unsure or in doubt about the installation of the plug please contact a qualified electrician.

If a 13A 3-pin plug is fitted, it must be an ASTA approved plug, conforming to BS1363 standard. Replacement fuses must be BSI or ASTA BS1362 approved.

The wires in the mains lead are coloured as such:

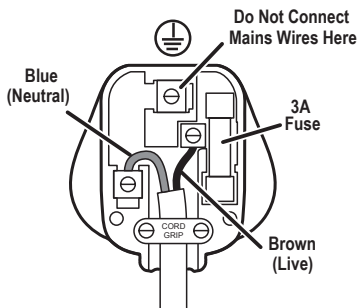
- BROWN - LIVE
- BLUE - NEUTRAL

Please note that the colour of these mains wires may not correspond with the colour markings that identify the terminals in your plug.

The BROWN coloured wire must be connected to the terminal, which is marked with the letter "L" or is coloured RED.

The BLUE coloured wire must be connected to the terminal, which is marked with the letter "N" or is coloured BLACK.

DO NOT CONNECT either of these wires to the earth terminal in the plug. The earth terminal plug is marked with the letter "E", or with the earth symbol ⊕, or coloured GREEN, or GREEN and YELLOW.



## Guarantee

Please keep your receipt as this will be required for any claims under this guarantee.

This appliance is guaranteed for 2 years after your purchase as described in this document.

During this guaranteed period, if in the unlikely event the appliance no longer functions due to a design or manufacturing fault, please take it back to the place of purchase, with your till receipt and a copy of this guarantee.

The rights and benefits under this guarantee are additional to your statutory rights, which are not affected by this guarantee. Only Jarden Consumer Solutions (Europe) Limited ("JCS (Europe)") has the right to change these terms.

JCS (Europe) undertakes within the guarantee period to repair or replace the appliance, or any part of appliance found to be not working properly free of charge provided that:

you promptly notify the place of purchase or JCS (Europe) of the problem; and

the appliance has not been altered in any way or subjected to damage, misuse, abuse, repair or alteration by a person other than a person authorised by JCS (Europe).

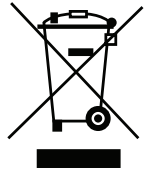
Faults that occur through, improper use, damage, abuse, use with incorrect voltage, acts of nature, events beyond the control of JCS (Europe), repair or alteration by a person other than a person authorised by JCS (Europe) or failure to follow instructions for use are not covered by this guarantee. Additionally, normal wear and tear, including, but not limited to, minor discoloration and scratches are not covered by this guarantee.

The rights under this guarantee shall only apply to the original purchaser and shall not extend to commercial or communal use.

If your appliance includes a country-specific guarantee or warranty insert please refer to the terms and conditions of such guarantee or warranty in place of this guarantee or contact your local authorized dealer for more information.

Waste electrical products should not be disposed of with Household waste. Please recycle where facilities exist. E-mail us at [enquiriesEurope@jardencs.com](mailto:enquiriesEurope@jardencs.com) for further recycling and WEEE information.

Jarden Consumer Solutions (Europe) Limited  
5400 Lakeside  
Cheadle Royal Business Park  
Cheadle  
SK8 3GQ  
United Kingdom



## Consignes importantes

Cet appareil peut être utilisé par des enfants à partir de 8 ans, ainsi que par des personnes aux capacités physiques, sensorielles ou intellectuelles réduites, ou encore des personnes n'ayant aucune connaissance ou expérience du produit, à condition d'avoir été formés à son utilisation correcte et de comprendre les risques encourus. Les enfants ne doivent pas jouer avec l'appareil. Les opérations de nettoyage et d'entretien ne doivent pas être effectuées par des enfants sans surveillance.

En cas de détérioration du fil électrique ou de la prise d'alimentation, ils doivent être remplacés par le fabricant, son agent de service après-vente ou une personne qualifiée pour éviter tout danger.

- Veillez à utiliser l'appareil sur une surface stable, sûre, sèche et plane.
- ATTENTION : CET APPAREIL EST RÉSERVÉ À UNE UTILISATION DOMESTIQUE. Ne l'utilisez pas à des fins autres que celles auxquelles il est destiné. Il est conçu exclusivement pour une utilisation domestique. N'utilisez pas cet appareil à l'extérieur.
- Ne plongez jamais l'appareil ou son cordon d'alimentation et la prise dans de l'eau ou tout autre liquide.
- N'utilisez pas l'appareil s'il est tombé ou s'il présente des signes visibles de dommages.
- Assurez-vous que l'appareil est arrêté et débranchez-le avant de le nettoyer.
- Sortez la fiche de la prise pour débrancher l'appareil. Ne tirez pas sur le cordon d'un coup sec.
- N'utilisez pas de cordon de rallonge avec l'appareil.
- Utilisez uniquement les accessoires recommandés par le fabricant.
- Lorsque vous réchauffez des aliments dans des sacs FoodSaver™, veillez à les placer dans de l'eau à peine frémissante dont la température est inférieure à 75°C (170°F).
- LES ALIMENTS PLACÉS DANS UN SAC PEUVENT ÊTRE DÉCONGELÉS, MAIS NON RÉCHAUFFÉS

AU MICRO-ONDES. Lorsque vous décongelez des aliments au micro-ondes dans un sac FoodSaver™, veillez à ne pas dépasser une puissance maximale de 180 W (réglage de décongélation) pendant 2 minutes au plus et une température maximale de 70°C (158°F).

### CONSERVEZ CETTE NOTICE D'UTILISATION

## Appareil d'emballage sous vide FoodSaver™

### Pourquoi emballer sous vide ?

L'exposition à l'air entraîne une perte de saveur et de valeur nutritive et favorise également le développement d'un grand nombre de bactéries, de moisissures et de champignons. L'appareil d'emballage sous vide FoodSaver™ extrait l'air et évite toute perte de saveur et de qualité. Grâce à une gamme étendue de sacs FoodSaver™, à laquelle s'ajoutent des bocaux pour élargir les choix qui s'offrent à vous, vous bénéficiez maintenant des avantages d'une méthode permettant de conserver les aliments jusqu'à cinq fois plus longtemps et dont les effets sont démontrés scientifiquement.

### L'appareil FoodSaver™ vous permet d'économiser du temps et de l'argent

- Réalisez des économies. Grâce à l'appareil FoodSaver, vous pouvez acheter en gros ou profiter des offres spéciales et conditionner sous vide les aliments en portions adaptées à vos besoins pour éviter le gaspillage.
- Gagnez du temps. Profitez du week-end pour préparer les repas de la semaine et emballez-les dans des sacs FoodSaver™.
- Faites mariner les ingrédients d'un plat en quelques minutes. La mise sous vide ouvre les pores des aliments, vous permettant ainsi d'intensifier les saveurs en 20 minutes seulement au lieu de toute une nuit.
- Parfait pour les repas entre amis. Préparez votre spécialité à l'avance pour pouvoir vous consacrer à vos invités.
- Profitez des produits de saison et des spécialités du terroir. Conservez plus longtemps les aliments hautement périssables ou que vous utilisez rarement.
- Préparez des portions individuelles pour perdre du poids. Mettez sous vide des portions moins généreuses et indiquez sur le sac leur teneur en graisse et en calories.

- Il n'y a pas que les aliments qui ont besoin d'être protégés. Finies, les recherches de dernière minute : gardez au sec l'équipement de camping et de randonnées. Évitez que votre argenterie ne ternisse en minimisant l'exposition à l'air.

## Accessoires FoodSaver™

Tirez pleinement parti de votre appareil FoodSaver™ grâce aux sacs, bocaux et accessoires FoodSaver™ faciles à utiliser.

### Sacs et rouleaux FoodSaver™

Les sacs et rouleaux FoodSaver™ sont spécialement conçus pour optimiser l'extraction de l'air. Le matériau à plusieurs épaisseurs dont ils sont composés bloque l'oxygène et l'humidité, permettant ainsi d'éviter les brûlures de congélation. Les sacs et rouleaux FoodSaver™ sont disponibles en plusieurs tailles.

### Bocaux FoodSaver™

Les bocaux FoodSaver™ sont faciles à utiliser et parfaitement adaptés au conditionnement sous vide d'aliments fragiles tels que les madeleines et autres pâtisseries, les liquides et les aliments secs.

### Sacs de mise sous vide à glissière FoodSaver™

Les sacs de mise sous vide à glissière FoodSaver™ sont spécialement conçus pour optimiser l'extraction de l'air. Le matériau à plusieurs épaisseurs dont ils sont composés bloque l'oxygène et l'humidité.

### Boîtes alimentaires FoodSaver™

Les boîtes alimentaires FoodSaver™ sont faciles à utiliser et parfaitement adaptées au conditionnement sous vide d'aliments fragiles tels que les madeleines et autres pâtisseries, les liquides et les aliments secs.

### Bouchons FoodSaver™

Utilisez les bouchons FoodSaver™ pour conserver sous vide le vin, les boissons non gazeuses et les huiles. Vous prolongerez ainsi leur durée de vie tout en conservant leur saveur. N'utilisez pas le bouchon avec des bouteilles en plastique.

### Boîte à marinade rapide FoodSaver™

La boîte à marinade rapide rehausse la saveur des aliments en quelques minutes au lieu de quelques heures, grâce à la pression à vide qui laisse pénétrer profondément les marinades.

### Commande

Pour savoir où acheter les produits, consommables et accessoires FoodSaver™, rendez-vous sur [www.foodsaver.fr](http://www.foodsaver.fr) et consultez la rubrique "Où Acheter".

## Guide des pièces

En vous reportant à la fig. 1 :

- |  |  |
|--|--|
| <b>A</b> Joint d'étanchéité supérieur        | <b>I</b> Voyant d'alimentation                                   |
| <b>B</b> Bac ramasse-gouttes                 | <b>J</b> Voyants d'état  |
| <b>C</b> Loquet du couvercle                 | <b>K</b> Voyant d'état de soudure                                |
| <b>D</b> Joint d'étanchéité inférieur        | <b>L</b> Bouton Seal Only (soudure seulement)                    |
| <b>E</b> Bande de soudure                    | <b>M</b> Bouton Vacuum and Seal (mise sous vide et soudure)      |
| <b>F</b> Panneau de commande                 | <b>N</b> Bouton Moist Food (aliments à haute teneur en humidité) |
| <b>G</b> Raccord d'accessoire                | <b>O</b> Voyant de surchauffe                                    |
| <b>H</b> Appareil de mise sous vide portatif |  |

## Préparation d'un sac à partir d'un rouleau FoodSaver™

Vous pouvez créer des sacs de la taille que vous désirez à l'aide d'un rouleau FoodSaver™. En vous reportant à la fig. 2 :

1. Branchez votre appareil de mise sous vide sur une prise murale. Appuyez sur les deux loquets **C** et ouvrez le couvercle. Placez l'extrémité ouverte du rouleau sur la bande de soudure **E** de façon à ce que le bout du rouleau bute contre le bord avant du joint d'étanchéité inférieur. **Ne laissez pas l'extrémité du sac entrer dans le ramasse-gouttes.**
2. Fermez complètement le couvercle, de façon à ce que les loquets **C** émergent. Quand le couvercle est bien fermé, une bande verte apparaît autour du loquet, et le voyant d'alimentation vert **I** s'allume.
3. Appuyez sur le bouton Seal Only **L** ou sur le bouton Vacuum and Seal **M**.
4. Lorsque le voyant d'état de soudure **K** rouge s'éteint, appuyez sur les deux loquets et retirez le rouleau. L'extrémité du rouleau est maintenant fermée.
5. Mesurez la longueur requise pour l'article à emballer. Ajoutez les 75 mm nécessaires à la ligne de soudure, puis coupez le rouleau sur la longueur.

# Utilisation de votre appareil de mise sous vide

En vous reportant à la fig. 3 :

1. Placez l'article à emballer dans le sac. Vous pouvez utiliser un sac FoodSaver™ prêt à l'emploi ou créer votre propre sac à l'aide d'un rouleau FoodSaver®.
2. Placez le côté ouvert du sac dans la fente du ramasse-gouttes **B**.
3. Fermez et verrouillez le couvercle. Quand le couvercle est bien fermé, une bande verte apparaît autour du loquet, et le voyant d'alimentation vert **I** s'allume.
4. Appuyez sur le bouton Vacuum and Seal **M**.
5. Votre appareil de mise sous vide commence à extraire l'air du sac et le ferme ensuite hermétiquement. Une fois que les voyants d'état **J** se sont arrêtés et que le voyant d'état de soudure **K** rouge s'est éteint, l'opération est terminée.

## Emballage des aliments à haute teneur en humidité

Si vous emballez des aliments à forte teneur en liquide ou très juteux, appuyez sur le bouton Moist Food **N** AVANT d'appuyer sur le bouton Vacuum and Seal.

## Soudure d'un sac sans extraction d'air

Pour souder un sac sans faire le vide, appuyez sur le bouton Seal Only **L**. Vous pouvez fermer hermétiquement les types de sac qui servent à emballer les snacks comme les croustilles, les croustilles au maïs, etc.

## Emballage hermétique des articles délicats

Certains articles comme les pâtisseries, le pain, les biscuits, etc., risquent d'être écrasés lors de l'emballage. Pour éviter que cela ne se produise, utilisez le bouton Seal Only **L** comme suit.

1. Suivez les étapes 1, 2 et 3 du mode d'emploi de votre appareil de mise sous vide.
2. Appuyez sur le bouton Seal Only **L** avant que l'article ne soit écrasé. L'extraction d'air cesse alors immédiatement, et le sac est soudé.

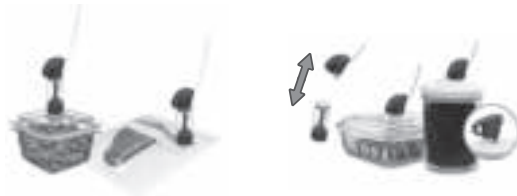
## Utilisation des accessoires FoodSaver™

Pour mettre sous vide en utilisant un sac de mise sous vide avec fermeture zip à glissière ou une boîte alimentaire fraîcheur :

1. Branchez le connecteur de l'appareil de mise sous vide portatif **H** sur le raccord d'accessoire **G** de l'appareil FoodSaver™.
2. Placez l'extrémité de l'appareil de mise sous vide portatif sur la valve de l'accessoire et assurez-vous qu'elle est fermement connectée. Le cas échéant, suivez les instructions qui se rapportent spécifiquement à l'accessoire FoodSaver™.

Remarque : pour mettre sous vide un bocal FoodSaver™, enlevez le réservoir (section inférieure transparente) de l'appareil de mise sous vide en le tirant vers le bas et en le dégageant de la section supérieure. Placez l'extrémité de l'appareil de mise sous vide dans le raccord du bocal.

3. Appuyez sur le bouton Vacuum and Seal **M**.
4. Une fois que les voyants d'état **J** se sont arrêtés et que le voyant d'état de soudure **K** rouge s'est éteint, l'opération est terminée.



## Entretien et nettoyage

**Ne plongez jamais l'unité ou son cordon d'alimentation et la prise dans de l'eau ou tout autre liquide. Débranchez toujours l'unité avant le nettoyage.**

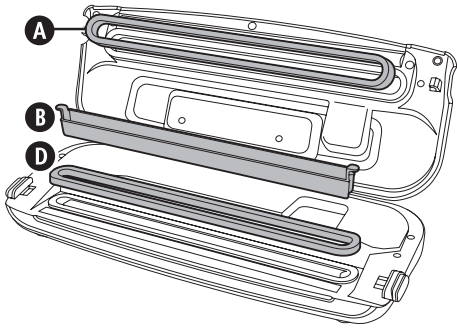
Essuyez le corps de l'appareil avec un chiffon doux sec.

Retirez et videz le bac ramasse-gouttes **B** après chaque utilisation. Lavez-le à l'eau chaude savonneuse ou placez-le dans le panier supérieur du lave-vaisselle. Asséchez-le bien avant de le remettre en place.

Vérifiez qu'il n'y pas de résidus alimentaires autour du joint d'étanchéité supérieur **A**, du joint d'étanchéité inférieur **D** et du bac ramasse-gouttes.

Essuyez les joints avec un chiffon savonneux chaud si nécessaire. Il est possible d'enlever les joints pour les nettoyer. Lavez-les à l'eau chaude savonneuse.

Séchez-les bien et remettez-les soigneusement en place.



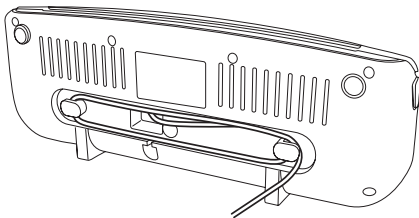
Enlevez le réservoir de l'appareil de mise sous vide portatif après chaque utilisation. Lavez-le à l'eau chaude additionnée de produit vaisselle et laissez-le sécher complètement à l'air libre avant de le remettre en place.

Pour que votre appareil FoodSaver™ continue à fonctionner correctement, nous vous recommandons de remplacer chaque année les joints d'étanchéité. Pour commander des joints de rechange, rendez-vous sur [www.foodsavereurope.com](http://www.foodsavereurope.com).

## Rangement

Fermez le couvercle jusqu'à ce que les loquets s'engagent, mais sans saillir et révéler la bande verte (jusqu'au premier clic). C'est assez pour retenir le couvercle, mais cela évite de comprimer les joints (ce qui pourrait entraîner un mauvais fonctionnement de l'unité).

Enroulez le câble autour des taquets sous l'unité. L'unité peut être rangée en position verticale comme dans l'illustration.



# Guide de rangement et conseils

## Mise sous vide et sécurité alimentaire

Le processus de mise sous vide prolonge la durée de vie des aliments en extrayant la majorité de l'air du contenant fermé hermétiquement. Il se produit ainsi une réduction de l'oxydation qui affecte la valeur nutritive, la saveur et la qualité globale des aliments. L'extraction de l'air permet également de freiner le développement des micro-organismes, qui donnent parfois naissance à des problèmes dans certaines conditions :

Pour maintenir la fraîcheur des aliments en toute sécurité, il est impératif de les conserver à basse température. Vous réduisez sensiblement la croissance des micro-organismes à une température de 4°C ou moins.

Congeler des aliments à -17°C ne tue pas les micro-organismes, mais arrête leur développement. Si vous souhaitez les conserver à long terme, congélez toujours les aliments périssables conditionnés sous vide et gardez-les au réfrigérateur lorsqu'ils sont décongelés.

Il est important de noter que l'emballage sous vide NE remplace PAS la mise en conserve et qu'il ne peut pas inverser la détérioration des aliments. Il ne fait que ralentir leur évolution qualitative. Il est difficile de prédire combien de temps les aliments conserveront leur saveur, leur apparence ou leur texture optimale, car leur évolution est tributaire de la fraîcheur et de l'état des aliments le jour où ils ont été emballés sous vide.

Important : l'emballage sous vide NE remplace PAS la réfrigération ou la congélation. Tout aliment périssable à conserver au réfrigérateur doit être réfrigéré ou congelé après avoir été emballé sous vide. Pour éviter les risques de maladies, ne réutilisez pas les sacs dans lesquels ont été emballés de la viande, du poisson cru ou des aliments gras. Ne réutilisez pas les sacs qui ont été passés au micro-ondes ou plongés dans de l'eau frémissante.

## Décongélation et réchauffage des aliments emballés sous vide



Veillez à décongeler les aliments au réfrigérateur ou dans un four à micro-ondes. Ne décongelez jamais des aliments périssables à température ambiante.

Les aliments placés dans un sac peuvent être décongelés, mais non réchauffés au micro-ondes. Lorsque vous décongelez des aliments au micro-ondes dans un sac FoodSaver™, veillez à ne pas dépasser une puissance maximale de 180 W (réglage de décongélation) pendant 2 minutes au plus et une température maximale de 70°C (158°F). Vous pouvez également réchauffer des aliments conditionnés dans un sac FoodSaver™ en les plaçant dans de l'eau à peine frémissante dont la température est inférieure à 75°C (170°F). Le cas échéant, suivez les instructions qui se rapportent spécifiquement aux sacs FoodSaver™.



# Consignes de préparation

## Viandes et poissons



Pour obtenir de meilleurs résultats, précongelez la viande et le poisson pendant 1 à 2 heures avant de les emballer sous vide dans un sac FoodSaver™. Vous conserverez ainsi les sucs et la forme des aliments, et obtiendrez une soudure plus hermétique. S'il n'est pas possible de les précongeler, placez une feuille de papier absorbant pliée entre la viande ou le poisson et le dessus du sac, mais sous la zone de soudure.

Placez une feuille de papier absorbant dans le sac pour absorber l'excédent d'humidité et les sucs pendant le processus de mise sous vide.

Remarque : la viande de bœuf peut sembler d'une couleur plus foncée après l'emballage sous vide, en raison de l'absence d'oxygène. Il ne s'agit pas d'un signe d'avarie.

## Fromages à pâte dure



Pour garder le fromage frais, emballez-le sous vide après chaque utilisation. Veillez à ce que le sac FoodSaver™ soit extra long en comptant un supplément de 25 mm pour

chaque ouverture et soudure, en plus des 75 mm normalement prévus entre le contenu et la soudure.

Découpez simplement l'extrémité soudée et sortez le fromage. Lorsque vous êtes prêt à remballer le fromage, placez-le à nouveau dans le sac et répétez la soudure.

Important : en raison des risques que présentent les bactéries anaérobies, n'emballer jamais sous vide les fromages à pâtes molles.

## Légumes



Blanchissez les légumes avant de les conserver sous vide. Ce processus arrête les enzymes susceptibles d'entraîner une perte de goût ou de couleur ou une dégradation de la consistance.

Pour blanchir les légumes, plongez-les dans de l'eau bouillante ou passez-les au four à micro-ondes jusqu'à ce qu'ils soient cuits, mais encore croquants. Comptez 1 à 2 minutes pour les légumes verts à feuilles et les petits pois, 3 à 4 minutes pour les pois mange-tout, les courgettes en tranches ou le brocoli, 5 minutes pour les carottes et 7 à 11 minutes pour le maïs en épis. Plongez ensuite les légumes dans de l'eau froide pour arrêter la cuisson. Séchez enfin les légumes sur un torchon avant de les mettre sous vide.

Remarque : tous les légumes (notamment les brocolis, les choux de Bruxelles, le chou, le chou-fleur, le chou frisé, les navets) émettent naturellement des gaz lorsqu'ils sont entreposés. C'est pourquoi vous devez les conserver au congélateur uniquement, après les avoir blanchis.

Lorsque vous congelez des légumes, il est préférable de les placer au préalable au congélateur pendant une heure ou deux ou jusqu'à ce qu'ils soient durs. Pour congeler des portions individuelles de légumes, commencez par les étaler sur une tôle de cuisson sans qu'ils ne se touchent. Vous éviterez ainsi qu'ils ne forment un bloc au congélateur. Lorsqu'ils sont congelés, retirez les légumes de la tôle de cuisson et placez-les dans un sac FoodSaver™ avant de les mettre sous vide. Une fois l'air extrait, remettez-les au congélateur.

Important : en raison des risques que présentent les bactéries anaérobies, n'emballer jamais sous vide les champignons frais, les oignons et l'ail.

## Légumes à feuilles



Vous obtiendrez de meilleurs résultats si vous placez les légumes à feuilles dans un bocal. Commencez par laver les légumes, puis séchez-les à l'aide d'un torchon ou d'une essoreuse à salade. Une fois secs, placez-les dans un bocal et mettez-les sous vide normalement. Placez-les ensuite au réfrigérateur.

## Fruits



Lorsque vous congelez des baies ou des fruits mous, il est préférable de les placer au préalable au congélateur pendant une heure ou deux ou jusqu'à ce qu'ils soient durs. Pour congeler des portions individuelles de fruits, commencez par les étaler sur une tôle de cuisson sans qu'ils ne se touchent. Vous éviterez ainsi qu'ils ne forment un bloc au congélateur. Lorsqu'ils sont congelés, retirez les fruits de la tôle de cuisson et placez-les dans un sac FoodSaver™ avant de les mettre sous vide.

Une fois l'air extrait, remettez-les au congélateur. Vous pouvez mettre sous vide des portions de fruits pour les cuire ultérieurement ou composer des mélanges qui vous permettront de préparer des salades de fruits tout au long de l'année. Pour les conserver au réfrigérateur, il est recommandé d'utiliser un bocal FoodSaver™.

## Petits pains, biscuits et autres pâtisseries



Pour conserver sous vide les petits pains, biscuits et autres pâtisseries, il est recommandé d'utiliser un bocal FoodSaver™ afin qu'ils ne se brisent pas. Si vous les conservez dans un sac, placez-les au préalable au congélateur pendant 1 à 2 heures jusqu'à ce qu'ils soient durs. Pour gagner du temps, préparez à l'avance de la pâte à biscuits, des fonds de tarte, des tartes entières ou mélangez les ingrédients secs et mettez-les sous vide afin de les utiliser ultérieurement.

## Café et aliments en poudre



Afin que la pompe n'aspire pas de particules, placez un filtre à café ou une feuille de papier absorbant sur le haut du sac ou du bocal avant de faire le vide. Vous

pouvez également placer les aliments dans leur sac d'origine à l'intérieur d'un sac FoodSaver™ ou utiliser un couvercle universel FoodSaver™ avec le conteneur d'origine pour en extraire l'air.

## Liquides




Avant de mettre sous vide des liquides de type soupe ou bouillon, placez-les au congélateur dans un récipient de cuisson, un moule à pain ou un bac à glaçons jusqu'à ce qu'ils soient durs. Retirez le liquide congelé et mettez-le sous vide dans un sac FoodSaver™. Vous pouvez empiler ces « briques congelées » dans votre congélateur.

Lorsque vous en avez besoin, découpez simplement le coin d'un sac et passez-le au micro-ondes dans un récipient ou placez-le dans de l'eau à peine frémissante dont la température est inférieure à 75°C (170°F).

Pour conserver sous vide des liquides non gazeux, placez un bouchon FoodSaver™ sur la bouteille d'origine.

## Dépannage

Problem	Solution
Le voyant de surchauffe  est allumé.	<ul style="list-style-type: none"><li>• Si l'appareil est soumis à une utilisation intensive, ce phénomène se produit pour éviter les problèmes de surchauffe. Dans ce cas de figure, attendez 20 minutes que l'appareil refroidisse. Lorsque vous utilisez l'appareil, attendez toujours au moins 20 secondes avant d'emballer sous vide un autre aliment.</li></ul>
La pompe fonctionne pendant plus de 2 minutes sans que l'air ne soit évacué.	<ul style="list-style-type: none"><li>• Assurez-vous que l'extrémité ouverte du sac est insérée dans le ramasse-gouttes dont est équipé le joint d'étanchéité inférieur.</li><li>• Assurez-vous que les deux joints sont posés correctement et ne sont pas endommagés.</li><li>• Assurez-vous qu'au moins l'une des extrémités du sac est fermée hermétiquement.</li><li>• Ouvrez l'unité et assurez-vous qu'il n'y a pas d'objets étrangers, de poussières ou de débris sur les joints du haut ou du bas.</li><li>• Assurez-vous qu'il y a de l'espace en haut du sac (75 mm) de façon à ce qu'il repose dans le ramasse-gouttes lorsque le couvercle est fermé et verrouillé.</li><li>• Assurez-vous que l'appareil de mise sous vide portatif n'est pas raccordé.</li><li>• Vérifiez que le couvercle est fermé correctement et que le loquet est en position fermée.</li></ul>
Le sac n'est pas fermé de façon hermétique.	<ul style="list-style-type: none"><li>• De l'humidité ou de la graisse recouvre la ligne de soudure. Essuyez tout excédent d'humidité à l'aide d'une feuille de papier absorbant propre et sèche.</li><li>• Le sac contient trop de liquides. Congelez le contenu du sac avant de le mettre sous vide.</li><li>• La ligne de soudure contient un pli. Étirez délicatement le sac pour qu'il soit bien à plat lorsque vous l'insérez dans le ramasse-gouttes et continuez à le tenir jusqu'au démarrage de la pompe à vide. Si vous avez déjà exécuté cette opération et que la soudure du sac n'est pas hermétique, créez une seconde soudure au-dessus de la première soudure.</li></ul>
Rien ne se produit lorsque le couvercle est fermé et que vous appuyez sur la touche Mise sous vide et soudure ou Soudure instantanée.	<ul style="list-style-type: none"><li>• Vérifiez que le couvercle est fermé correctement et que le loquet est en position fermée.</li></ul>
Pour plus d'informations :	<ul style="list-style-type: none"><li>• Rendez-vous sur <a href="http://www.foodsavereurope.com">www.foodsavereurope.com</a> et sélectionnez votre région.</li></ul>

Veillez à laisser au moins 25 mm d'espace entre le contenu de la bouteille et la base du bouchon. Fermez hermétiquement la bouteille après chaque utilisation.

## Plats préparés, restes et sandwichs



Rationalisez le conditionnement des plats préparés, des restes et des sandwichs dans des boîtes FoodSaver™ légères et empilables. Elles passent au micro-ondes, au lave-vaisselle (panier supérieur

uniquement) et sont fournies avec un adaptateur sur mesure.

Emmenez ces boîtes légères au bureau ou glissez-les dans un cartable ou un sac de randonnée !

## Snacks



Vos snacks conserveront plus longtemps leur fraîcheur si vous les mettez sous vide. Pour obtenir les meilleurs résultats, placez les aliments fragiles tels que les biscuits salés dans un bocal FoodSaver™.

## Garantie

Veillez conserver votre ticket de caisse, il vous sera demandé lors de toute réclamation sous garantie.

Cet appareil est garanti 2 ans à partir de la date d'achat, comme indiqué dans le présent document.

Dans le cas peu probable d'une panne résultant d'un défaut de conception ou de fabrication au cours de la période de garantie, veuillez rapporter l'appareil au magasin où vous l'avez acheté avec votre ticket de caisse et une copie de cette garantie.

Vos droits statutaires ne sont aucunement affectés par cette garantie. Seul Jarden Consumer Solutions (Europe) Limited (« JCS (Europe) ») peut modifier ces dispositions.

JCS (Europe) s'engage à réparer ou remplacer gratuitement, pendant la période de garantie, toute pièce de l'appareil qui se révèle défectueuse sous réserve que :

- vous avertissiez rapidement le magasin ou JCS (Europe) du problème ; et
- l'appareil n'ait pas été altéré de quelque manière que ce soit ou endommagé, utilisé incorrectement ou abusivement, ou bien réparé ou altéré par une personne autre qu'une personne agréée par JCS (Europe) Products Europe.

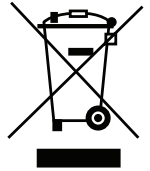
Cette garantie ne couvre pas les défauts liés à une utilisation incorrecte, un dommage, une utilisation abusive, l'emploi d'une tension incorrecte, les catastrophes naturelles, les événements hors du contrôle de JCS (Europe), une réparation ou une altération par une personne autre qu'une personne agréée par JCS (Europe) ou le non-respect des instructions d'utilisation. De plus, cette garantie ne couvre pas non plus l'usure normale, y compris, mais sans limitation, les petites décolorations et éraflures.

Cette garantie s'applique uniquement à l'acheteur d'origine et elle n'étend aucun droit à toute personne acquérant l'appareil pour un usage commercial ou communal.

Si votre appareil est accompagné d'une garantie locale ou d'une carte de garantie, veuillez en consulter les dispositions et conditions en vigueur, ou vous adresser à votre revendeur local pour en savoir plus.

Les déchets d'équipement électrique ne doivent pas être mélangés aux ordures ménagères. Veuillez recycler si vous en avez la possibilité. Envoyez-nous un email à [enquiriesEurope@jardencs.com](mailto:enquiriesEurope@jardencs.com) pour plus d'informations sur le recyclage et la directive WEEE.

Jarden Consumer Solutions (Europe) Limited  
5400 Lakeside  
Cheadle Royal Business Park  
Cheadle  
SK8 3GQ  
United Kingdom



## Wichtige Sicherheitshinweise

Dieses Gerät kann von Kindern ab 8 Jahren und Personen mit eingeschränkten körperlichen, sensorischen oder geistigen Fähigkeiten oder mangelnder Erfahrung und Wissen verwendet werden, wenn sie entsprechend in die sichere Anwendung eingewiesen wurden und die damit verbundenen Gefahren verstehen. Kinder dürfen das Gerät nicht als Spielzeug verwenden. Reinigung und Wartung dürfen von Kindern nur unter Beaufsichtigung durchgeführt werden.

Beschädigte Stromkabel müssen durch den Hersteller, den Kundendienst oder andere qualifizierte Personen ersetzt werden, um Gefahren auszuschließen.

- Verwenden Sie das Gerät nur auf einer stabilen, sicheren, trockenen und ebenen Unterlage.
- VORSICHT: DIESES VAKUUMIERGERÄT IST NICHT FÜR DEN KOMMERZIELLEN EINSATZ GEDACHT. Setzen Sie das Gerät nie für Zwecke ein, für die es nicht bestimmt ist. Das Gerät wurde für die Verwendung in Privathaushalten entwickelt. Verwenden Sie das Gerät nicht im Freien.
- Tauchen Sie das Gerät oder das Stromkabel und den Stecker nicht in Wasser oder andere Flüssigkeiten.
- Verwenden Sie das Gerät nicht, wenn es heruntergefallen ist oder Beschädigungen sichtbar sind.
- Stellen Sie vor dem Reinigen sicher, dass das Gerät ausgestellt ist und trennen Sie es von der Stromzufuhr.
- Ziehen Sie den Stecker aus der Steckdose, um das Gerät vom Netz zu trennen. Ziehen Sie den Stecker dabei nicht am Stromkabel.
- Verbinden Sie das Gerät nicht über ein Verlängerungskabel mit dem Netz.
- Verwenden Sie nur vom Hersteller empfohlenes Zubehör oder Zusatzgeräte.
- Wenn Sie Lebensmittel in FoodSaver™-Beuteln aufwärmen, achten Sie darauf, dass die Temperatur

des Wasserbads unter 75°C bleibt.

- **LEBENSMITTEL KÖNNEN IM BEUTEL IN DER MIKROWELLE AUFGETAUT, ABER NICHT AUFGEWÄRMT WERDEN.** Wenn Sie Lebensmittel in FoodSaver™-Beuteln in der Mikrowelle auftauen, achten Sie darauf, die maximale Leistung von 180 Watt (Auftauen), die Höchstzeit von 2 Minuten und die Höchsttemperatur von 70° C nicht zu überschreiten.

**BEWAHREN SIE DIESE ANLEITUNG AUF**

## FoodSaver™ Vakuumversiegelungssystem

### Vorteile der Vakuumversiegelung

Wenn Lebensmittel Luft ausgesetzt sind, verlieren sie Nährstoffe und Aroma; außerdem fördert Luft die Vermehrung vieler Bakterientypen sowie von Schimmel- und Hefepilzen. Mit dem FoodSaver™-Vakuumversiegelungssystem wird die Luft entfernt, während Geschmack und die Qualität eingeschlossen werden. Mit unserem Angebot an FoodSaver™-Beuteln und -Behältern erweitern Sie Ihre Möglichkeiten und profitieren von einem Verfahren, durch das Lebensmittel wissenschaftlich nachweisbar bis zu fünfmal länger gelagert werden können.

### Das FoodSaver-System spart Zeit und Geld

- Weniger Kosten. Mit dem FoodSaver™-System können Sie große Mengen oder Sonderangebote kaufen und dann in der gewünschten Portionsgröße vakuumversiegeln, ohne Lebensmittel zu verschwenden.
- Mehr Zeit. Kochen Sie für die ganze Woche vor, bereiten Sie Mahlzeiten zu und lagern Sie sie in FoodSaver™-Beuteln.
- Minutenschnelles Marinieren. Bei der Vakuumversiegelung werden die Poren der Lebensmittel geöffnet, sodass der Geschmack aus der Marinade innerhalb von nur 20 Minuten einzieht anstatt über Nacht.
- Unkomplizierte Einladungen. Bereiten Sie Ihre beliebten Gerichte vor, damit Sie am Tag der Party mehr Zeit für Ihre Gäste haben.
- Saisonware und Spezialitäten genießen. Halten Sie schnell verderbliche oder selten verwendete Zutaten länger frisch.
- Portionskontrolle für die bewusste Ernährung. Vakuumieren Sie geeignete Portionen und schreiben Sie Kalorien und Fettgehalt auf den Beutel.

- Schutz nicht nur für Lebensmittel. Halten Sie z. B. Gegenstände für den Campingausflug geschützt und organisiert bereit. Schützen Sie poliertes Silber vor dem Anlaufen durch Luftkontakt.

## FoodSaver™-Zubehör

Nutzen Sie Ihr FoodSaver™-Gerät optimal – mit den einfach zu verwendenden FoodSaver™-Beuteln, Behältern und Zubehörteilen.

### FoodSaver™-Beutel und -Rollen

FoodSaver™-Beutel und -Rollen verfügen über spezielle Kanäle, damit die Luft effizient entfernt werden kann. Dank ihrer mehrlagigen Struktur verhindern sie besonders effektiv das Eindringen von Sauerstoff und Feuchtigkeit und helfen so, Gefrierbrand zu vermeiden. FoodSaver™-Beutel und -Rollen sind in verschiedenen Größen erhältlich.

### FoodSaver™-Behälter

FoodSaver™-Behälter sind einfach zu verwenden und eignen sich perfekt für die Vakuumversiegelung empfindlicher Lebensmittel, zum Beispiel Muffins oder anderes Gebäck, sowie für Flüssigkeiten und trockene Lebensmittel.

### FoodSaver™-Frischebeutel mit Zipverschluss

FoodSaver™-Zipperbeutel verfügen über spezielle Kanäle, damit die Luft effizient entfernt werden kann. Dank ihrer mehrlagigen Struktur verhindern sie besonders effektiv das Eindringen von Sauerstoff und Feuchtigkeit.

### FoodSaver™-Frischebehälter

FoodSaver™-Frischebehälter sind einfach zu verwenden und eignen sich perfekt für die Vakuumversiegelung empfindlicher Lebensmittel, zum Beispiel Muffins oder anderes Gebäck, sowie für Flüssigkeiten und trockene Lebensmittel.

### FoodSaver™-Flaschenverschlüsse

Mit FoodSaver™-Flaschenverschlüssen können Sie Wein, Getränke ohne Kohlensäure sowie Öle vakuumversiegeln. Die Flüssigkeit bleibt so länger frisch und verliert ihr Aroma nicht so schnell. Verwenden Sie die Flaschenverschlüsse nicht für Plastikflaschen.

### FoodSaver™ Quick Marinator

Mit dem Quick Marinator dauert das Marinieren nicht mehr Stunden, sondern lediglich Minuten, denn dank der Vakuumierung zieht die Würze tief in die Lebensmittel ein.

## Bestellen

Um Beutel, Rollen und Zubehör von FoodSaver™ zu bestellen, besuchen Sie [www.foodsaver-europe.com](http://www.foodsaver-europe.com) und wählen Sie Ihre Region.

## Bestandteile

Siehe Abb. 1:

- |                                       |  |
|---------------------------------------|--|
| <b>A</b> Obere Dichtung               | <b>I</b> Betriebsleuchte                   |
| <b>B</b> Abnehmbare Auffangschale     | <b>J</b> Fortschrittsleuchte               |
| <b>C</b> Deckelverriegelung           | <b>K</b> Versiegelungsleuchte              |
| <b>D</b> Untere Dichtung              | <b>L</b> Versiegelungstaste                |
| <b>E</b> Siegelstreifen               | <b>M</b> Vakuumier- und Versiegelungstaste |
| <b>F</b> Bedienfeld                   | <b>N</b> Taste „Feuchte Lebensmittel“      |
| <b>G</b> Zubehöranschluss             | <b>O</b> Überhitzungswarnleuchte           |
| <b>H</b> Handheld-Versiegelungssystem |  |

## Beutel aus einer FoodSaver™-Rolle herstellen

Mit FoodSaver™-Rollen können Sie eigene Beutel nach Maß fertigen. Siehe Abb. 2:

1. Schließen Sie den Vakuumierer an die Stromversorgung an. Drücken Sie beide Riegel (**C**) und öffnen Sie den Deckel. Legen Sie das offene Ende der Rolle über den Siegelstreifen (**E**), so dass das Ende der Rolle den vorderen Rand der unteren Dichtung berührt. **Schieben Sie das Ende des Beutels nicht so weit, dass es die Auffangschale berührt.**
2. Schließen Sie den Deckel vollständig, bis die Verriegelung (**C**) einrastet. Ist das Gerät richtig geschlossen, erscheint ein grüner Streifen um die Verriegelung und die grüne Betriebsleuchte (**I**) leuchtet auf. Drücken Sie die Versiegelungstaste (**L**).
3. Wenn die Versiegelungsleuchte (**K**) erlischt, drücken Sie beide Riegel und entnehmen Sie die Rolle. Das Ende der Rolle ist nun versiegelt.
4. Messen Sie die Länge ab, die Sie für die zu versiegelnden Lebensmittel benötigen. Rechnen Sie weitere 75 mm hinzu, um ausreichend Platz für die Versiegelung zu lassen, und schneiden Sie den Beutel ab.

# Verwendung des Vakuuierers

Referring to Fig. 3:

1. Legen Sie die zu versiegelnden Lebensmittel in den Beutel. Hierfür können Sie fertige FoodSaver™-Beutel verwenden oder mithilfe einer FoodSaver™-Rolle eigene Beutel herstellen.
2. Führen Sie das offene Ende des Beutels in den Schlitz der Auffangschale (B).
3. Schließen und verriegeln Sie das Gerät. Ist das Gerät richtig geschlossen, erscheint ein grüner Streifen um die Verriegelung und die grüne Betriebsleuchte (I) leuchtet auf.
4. Drücken Sie die Vakuuier- und Versiegelungstaste (M).
5. Der Vakuuierer beginnt, die Luft aus dem Beutel zu saugen und diesen dann zu versiegeln. Wenn die Fortschrittsleuchten (J) und die rote Versiegelungsleuchte (K) erlöschen, ist der Vorgang abgeschlossen.

## Verpacken feuchter Lebensmittel

Beim Verpacken feuchter oder sehr saftiger Lebensmittel, drücken Sie die Taste „Feuchte Lebensmittel“ (N) BEVOR Sie die Vakuuier- und Versiegelungstaste drücken.

## Versiegeln von Beuteln ohne Vakuuierung

Wenn Sie Beutel versiegeln wollen, ohne zuerst die Luft zu entfernen, drücken Sie die Versiegelungstaste (L). Sie können Beutel versiegeln, in denen Sie Snacks wie Kartoffelchips, Tortilla Chips usw. aufbewahren.

## Versiegeln empfindlicher Lebensmittel

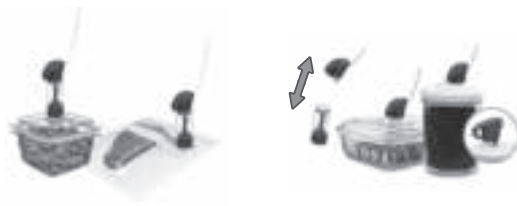
Einige Lebensmittel wie Gebäck, Brot, Kekse usw. können beim Vakuuieren beschädigt werden. Um dies zu vermeiden, setzen Sie die Versiegelungstaste (L) wie folgt ein:

1. Folgen Sie den Schritten 1, 2 und 3 unter „Verwendung des Vakuuierers“.
2. Drücken Sie die Versiegelungstaste (L), bevor die Lebensmittel zerdrückt werden. Damit wird der Vakuuiervorgang unterbrochen und der Beutel wird versiegelt.

## Verwenden von FoodSaver™-Zubehör

So können Sie Frischebeutel mit Zipverschluss oder Frischebehälter vakuumversiegeln:

1. Führen Sie das Verbindungsstück des Handheld-Versiegelungssystems (H) in den Zubehöranschluss (G) am FoodSaver™-Gerät ein.
2. Setzen Sie das Ende des Handversiegelerers auf das Ventil am Zubehöerteil und vergewissern Sie sich, dass die Teile fest verbunden sind. Folgen Sie den Anleitungen zur Verwendung des FoodSaver™-Zubehörs.  
Hinweis: Um einen FoodSaver™-Behälter zu versiegeln, entfernen Sie das Reservoir (durchsichtiger unterer Teil) des Versiegelerers, indem Sie es vom oberen Teil abziehen. Führen Sie die Spitze des Versiegelerers in den Anschluss am Behälter ein.
3. Drücken Sie die Vakuuier- und Versiegelungstaste (M).
4. Wenn die Fortschrittsleuchten (J) und die rote Versiegelungsleuchte (K) erlöschen, ist der Vorgang abgeschlossen.



## Pflege und Reinigung

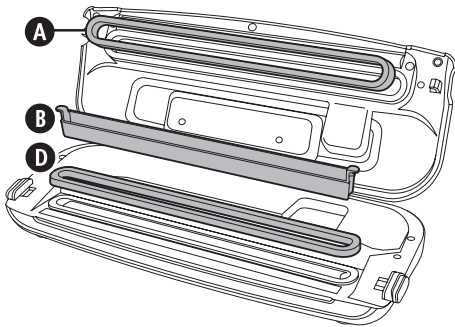
**Tauchen Sie das Gerät oder das Stromkabel und den Stecker nicht in Wasser oder andere Flüssigkeiten. Trennen Sie das Gerät vor dem Reinigen immer vom Netz.**

Wischen Sie das Gehäuse mit einem weichen, trockenen Tuch ab.

Entfernen und leeren Sie die Auffangschale (B) nach jedem Gebrauch. Spülen Sie die Auffangschale mit warmem Seifenwasser oder legen Sie sie in den oberen Korb der Geschirrspülmaschine. Trocknen Sie die Auffangschale vor dem Wiedereinsetzen gründlich.

Prüfen Sie die obere und untere Dichtung (A) und (D) und den Bereich um die Auffangschale, um sicherzustellen, dass diese frei von Lebensmittlrückständen sind. Wischen Sie die Dichtungen ggf. mit einem mit warmem Seifenwasser angefeuchteten Tuch ab.

Die Dichtungen können zur Reinigung abgenommen werden. Reinigen Sie diese mit warmem Seifenwasser. Trocknen Sie sie gründlich ab und setzen Sie sie sorgfältig wieder ein.



Nehmen Sie das Reservoir des Handheld-Versiegelungssystem nach jeder Verwendung ab. Reinigen Sie es mit warmem Seifenwasser und lassen Sie es an der Luft vollständig trocknen, bevor Sie es ersetzen.

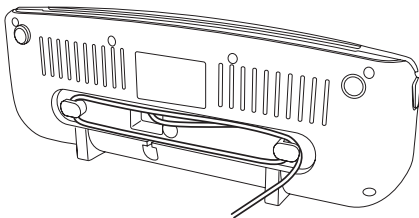
Nehmen Sie das Reservoir des Handversiegeler nach jeder Verwendung ab. Reinigen Sie es mit warmem Seifenwasser und lassen Sie es an der Luft vollständig trocknen, bevor Sie es ersetzen.

Um sicherzustellen, dass Ihr FoodSaver™-Gerät ordnungsgemäß funktioniert, empfehlen wir, die Dichtungen jährlich auszutauschen. Ersatzteile können Sie auf [www.foodsavereurope.com](http://www.foodsavereurope.com) bestellen.

## Lagerung

Schließen Sie den Deckel, bis die Verriegelung greift und Sie ein Klicken vernehmen, drücken Sie den Deckel jedoch nicht vollständig zu, so dass die Verriegelung nicht einrastet und der grüne Streifen nicht sichtbar ist. Der Deckel ist so gesichert, die Dichtungen werden jedoch nicht zusammengedrückt (dies könnte zur Fehlfunktion des Geräts führen).

Wickeln Sie das Stromkabel um die Klammern auf der Unterseite des Geräts. Das Gerät kann wie dargestellt vertikal gelagert werden.



## Tipps und Hinweise zur Lagerung

### Vakuumverpackung und Lebensmittelsicherheit

Bei der Vakuumverpackung wird die Haltbarkeit von Lebensmitteln durch das Entfernen der Luft aus dem versiegelten Behälter verlängert, da die Oxidation, die sich auf Nährwert, Geschmack und Qualität allgemein auswirkt, verringert wird. Durch das Entfernen der Luft kann auch das Wachstum von Mikroorganismen, die unter bestimmten Umständen zu Problemen führen, eingeschränkt werden:

Für die sichere Lagerung von Lebensmitteln sind niedrige Temperaturen wichtig. Bei Temperaturen von 4° C oder darunter wird das Wachstum von Mikroorganismen deutlich eingeschränkt.

Tiefkühlen bei -17° C tötet Mikroorganismen nicht, stoppt aber ihr Wachstum. Für die langfristige Lagerung von verderblichen Lebensmitteln, die Sie vakuumverpackt haben, sollten Sie diese einfrieren und nach dem Auftauen im Kühlschrank aufbewahren.

Denken Sie daran, dass die Vakuumverpackung KEIN Ersatz für die Konservierung in Dosen ist und Frische nur erhalten, aber nicht wiederherstellen kann. Durch die Vakuumverpackung wird die Qualitätsminderung lediglich verlangsamt. Es lässt sich nur schwer vorherzusagen, wie lange Lebensmittel ihren guten Geschmack, ihr Aussehen und ihre Konsistenz behalten, da dies von Alter und Zustand der Lebensmittel am Tag der Vakuumverpackung abhängt.

Wichtig: Vakuumverpackung ist KEIN Ersatz für die Aufbewahrung im Kühlschrank oder Tiefkühlfach. Verderbliche Lebensmittel, die gekühlt aufbewahrt werden müssen, müssen auch nach der Vakuumverpackung gekühlt oder tiefgekühlt gelagert werden. Um Erkrankungen vorzubeugen, verwenden Sie Beutel nicht erneut, nachdem Sie rohes Fleisch, rohen Fisch oder fettige Lebensmittel darin aufbewahrt haben. Verwenden Sie Beutel nicht erneut, nachdem sie in der Mikrowelle oder im Wasserbad erhitzt wurden.

# Auftauen und Aufwärmen von vakuumverpackten Lebensmitteln



Tauen Sie Lebensmittel immer im Kühlschrank oder in der Mikrowelle auf - lassen Sie verderbliche Lebensmittel nicht bei Zimmertemperatur auftauen.

Lebensmittel können im Beutel in der Mikrowelle aufgetaut, aber nicht aufgewärmt werden. Wenn Sie Lebensmittel in FoodSaver™-Beuteln in der Mikrowelle auftauen, achten Sie darauf, die maximale Leistung von 180 Watt (Auftauen), die Höchstzeit von 2 Minuten und die Höchsttemperatur von 70° C nicht zu überschreiten. Sie können Speisen in FoodSaver™-Beuteln auch im Wasserbad erhitzen; dabei darf die Temperatur des Wassers 75° C nicht überschreiten. Folgen Sie den Anleitungen zur Verwendung der FoodSaver™-Beuteln.

## Vorbereitung von Lebensmitteln

### Fleisch und Fisch



Die besten Ergebnisse erzielen Sie, wenn Sie Fleisch und Fisch vor der Vakuumversiegelung in einem FoodSaver™-Beutel für 1-2 Stunden vorgefrieren. So bleiben Säfte und Form der Lebensmittel erhalten und Sie erreichen eine bessere Versiegelung. Sollte ein Vorgefrieren nicht möglich sein, legen Sie ein gefaltetes Küchentuch aus Papier zwischen Fleisch bzw. Fisch und den oberen Beutelrand unterhalb des Versiegelungsbereichs.

Lassen Sie ein Papierküchentuch im Beutel, um überschüssige Feuchtigkeit bei der Vakuumversiegelung aufzusaugen.

Hinweis: Rindfleisch kann nach dem Vakuumieren dunkler erscheinen, da Sauerstoff entfernt wurde. Dies deutet jedoch nicht darauf hin, dass das Fleisch verdorben ist.

### Hartkäse



Vakuumieren Sie Käse nach jeder Verwendung erneut, um ihn frisch zu halten. Verwenden Sie dafür einen extragroßen FoodSaver™-Beutel mit 25 mm

Beutellänge mehr für jede geplante Öffnung und Wiederversiegelung, zusätzlich zu den 75 mm Platz, die Sie normalerweise zwischen Inhalt und Versiegelungsnäht lassen.

Schneiden Sie das versiegelte Ende einfach ab und nehmen Sie den Käse heraus. Wenn Sie den Käse nicht mehr brauchen, legen Sie ihn wieder in den Beutel und versiegeln Sie diesen erneut.

Wichtig: Weichkäse darf niemals vakuumversiegelt werden, da anaerobe Bakterien ein Risiko darstellen können.

### Gemüse



Gemüse muss vor der Vakuumversiegelung blanchiert werden. Dadurch werden enzymatische Reaktionen gestoppt, die zu einem

Verlust von Geschmack, Farbe und Konsistenz führen können.

Zum Blanchieren geben Sie das Gemüse in kochendes Wasser oder in die Mikrowelle, bis es gegart, aber noch knackig ist. Je nach Gemüsesorte variiert die Dauer des Blanchierens: 1-2 Minuten für Blattgemüse und Erbsen, 3-4 Minuten für Zuckerschoten, Zucchini-scheiben oder Brokkoli, 5 Minuten für Karotten und 7-11 Minuten für Maiskolben. Geben Sie das Gemüse sofort nach dem Blanchieren in eiskaltes Wasser, um den Garvorgang zu beenden. Tupfen Sie das Gemüse vor dem Vakuumversiegeln mit einem Küchentuch trocken.

Hinweis: Alle Gemüsesorten (darunter Brokkoli, Rosenkohl, Weißkohl, Blumenkohl, Grünkohl, Rüben) geben während der Lagerung natürliche Gase ab. Deshalb dürfen sie nach dem Blanchieren nur im Gefrierschrank gelagert werden.

Beim Einfrieren von Gemüse sollte es für 1-2 Stunden vorgefrozen werden, bis es vollständig gefroren ist. Um Gemüse in Einzelportionen einzufrieren, legen Sie die Teile auf ein Backblech, sodass sie sich nicht berühren. So verhindern Sie, dass sie als Block gefrieren. Wenn die Gemüsestücke gefroren sind, nehmen Sie sie vom Backblech und vakuumversiegeln Sie die gewünschte Menge jeweils in einem FoodSaver-Beutel. Legen Sie die Beutel nach dem Vakuumversiegeln in den Gefrierschrank.

Wichtig: Frische Pilze, Zwiebeln und Knoblauch sollten niemals vakuumversiegelt werden, da anaerobe Bakterien ein Risiko darstellen können.

### Blattgemüse



Blattgemüse bewahren Sie am besten in einem Behälter auf. Waschen Sie das Gemüse und trocknen Sie es in einem Tuch oder in einer Salatschleuder. Legen Sie das trockene Gemüse in einen Behälter und vakuumversiegeln Sie diesen wie gewohnt. Lagern Sie den Behälter im Kühlschrank.



## Obst



Weiche Früchte oder Beeren sollten für 1-2 Stunden vorgefrozen werden, bis sie vollständig gefroren sind. Um Obst in Einzelportionen einzufrieren, legen Sie die Teile auf ein Backblech, sodass sie sich nicht berühren. So verhindern Sie, dass sie als Block gefrieren. Wenn die Früchte gefroren sind, nehmen Sie sie vom Backblech und vakuumversiegeln Sie die gewünschte Menge jeweils in einem FoodSaver™-Beutel.

Legen Sie die Beutel nach dem Vakuumversiegeln in den Gefrierschrank. Sie können Portionen für Obstkuchen oder Ihre Lieblingskombinationen für einen schnellen Obstsalat das ganze Jahr über vakuumversiegeln. Bei der Lagerung im Gefrierschrank wird die Verwendung eines FoodSaver-Behälters empfohlen.

## Backwaren



Damit weiches oder luftiges Gebäck nicht die Form verliert, empfehlen wir die Verwendung eines FoodSaver™-Behälters für die Vakuumversiegelung. Wenn Sie einen Beutel verwenden, sollten Sie das Gebäck vor dem Vakuumversiegeln 1-2 Stunden vorgefrieren, bis es vollständig gefroren ist. Um Zeit zu sparen, bereiten Sie Teig, Tortenböden und gefüllte Pasteten oder trockene Zutaten im Vorfeld vor und vakuumversiegeln Sie diese für die spätere Verwendung.

## Kaffee und pulverige Lebensmittel



Um zu verhindern, dass Lebensmittelstückchen in die Vakuumpumpe gesogen werden, legen Sie einen Kaffeefilter oder ein Papierküchentuch oben in den Beutel oder in den Kanister, bevor Sie den Vakuuervorgang starten. Sie können die Lebensmittel zum Vakuumversiegeln auch in ihrer Originalverpackung in einen FoodSaver™-Beutel legen oder einen FoodSaver™-Universaldeckel mit dem Originalbehälter verwenden.

## Flüssigkeiten



Bevor Sie Flüssigkeiten wie zum Beispiel Brühe vakuumversiegeln, sollten Sie sie in einem Topf, einer Kastenform oder einer Eiswürfelform vorgefrieren, bis sie vollständig gefroren ist. Nehmen Sie die gefrorene Flüssigkeit aus dem Behälter und vakuumieren Sie sie in einem FoodSaver™-Beutel. Sie können diese gefrorenen Blöcke im Gefrierschrank stapeln.

Bei Bedarf tauen Sie die Flüssigkeit in ihrem Beutel im Wasserbad (unter 75°C) auf oder schneiden Sie eine Ecke des Beutels ab und legen ihn in einem geeigneten Gefäß in die Mikrowelle.

Verwenden Sie für die Vakuumversiegelung von Getränken ohne Kohlensäure unsere FoodSaver-Verschlüsse auf den Originalflaschen.

Achten Sie darauf, dass zwischen dem Inhalt und dem Boden des Flaschenverschlusses mindestens 25 mm Platz ist. Sie können Flaschen nach jeder Verwendung erneut versiegeln.

## Vorbereite Mahlzeiten, Reste und Sandwiches



Lagern Sie Ihre vorbereiteten Mahlzeiten, Reste von Mahlzeiten sowie Sandwiches in den stapelbaren, leichten FoodSaver™-Behältern. Sie sind mikrowellengeeignet, können im oberen Korb der Spülmaschine gereinigt werden und werden mit einem Adapter geliefert.


Die leichten Behälter lassen sich gut zur Arbeit oder zur Schule mitnehmen und sind die idealen Begleiter, wenn Sie unterwegs sind.

## Snacks



Knabberartikel bleiben länger frisch, wenn Sie sie vakuumversiegeln. Für zerbrechliche Lebensmittel wie Cracker verwenden Sie am besten einen FoodSaver™-Behälter.

# Fehlerbehebung

Problem	Lösung
Die Überhitzungswarnleuchte  leuchtet auf.	<ul style="list-style-type: none"> <li>• Damit soll ein Überhitzen des Geräts bei starker Belastung vermieden werden. Warten Sie in diesem Fall 20 Minuten, damit das Gerät abkühlen kann. Lassen Sie während des Gebrauchs zwischen einzelnen Vakuuervorgängen jeweils 20 Sekunden verstreichen.</li> </ul>
Die Pumpe läuft über 2 Minuten, ohne dass Luft angesogen wird.	<ul style="list-style-type: none"> <li>• Stellen Sie sicher, dass sich das offene Ende des Beutels innerhalb der unteren Dichtung in der Auffangschale befindet.</li> <li>• Prüfen Sie, ob beide Dichtungen unbeschädigt und richtig eingesetzt sind.</li> <li>• Prüfen Sie, ob mindestens ein Ende des Beutels versiegelt ist.</li> <li>• Öffnen Sie das Gerät, um zu überprüfen, dass sich keine Fremdkörper, Schmutz oder Lebensmittelrückstände auf der oberen oder unteren Dichtung befinden.</li> <li>• Stellen Sie sicher, dass Sie am oberen Ende des Beutels ausreichend Platz (75 mm) gelassen haben, damit dieser bei geschlossenem und verriegeltem Deckel bis in die Auffangschale reicht.</li> <li>• Stellen Sie sicher, dass das Handheld-Versiegelungssystem nicht angebracht ist.</li> <li>• Prüfen Sie, ob der Deckel vollständig geschlossen ist und der Riegel sich in der Position „Geschlossen“ befindet.</li> </ul>
Der Beutel wird nicht richtig versiegelt.	<ul style="list-style-type: none"> <li>• Der Versiegelungsbereich des Beutels ist feucht oder fettig. Wischen Sie die Feuchtigkeit mit einem sauberen, trockenen Papiertuch ab.</li> <li>• Es befindet sich zu viel Flüssigkeit im Beutel. Frieren Sie den Inhalt des Beutels vor dem Vakuumieren ein.</li> <li>• Der Versiegelungsstreifen ist fettig. Ziehen Sie den Beutel beim Einführen in die Auffangschale leicht flach und halten Sie ihn fest, bis die Vakuumpumpe mit dem Pumpen beginnt. Haben Sie dies bereits getan und der Beutel wird noch immer nicht versiegelt, erstellen Sie eine zweite Versiegelung über dem ersten Versiegelungsstreifen.</li> </ul>
Das Gerät reagiert nicht, wenn der Deckel geschlossen ist und die Sofortversiegelungstaste oder die Vakuumier- und Versiegelungstaste gedrückt wird.	<ul style="list-style-type: none"> <li>• Prüfen Sie, ob der Deckel vollständig geschlossen ist und der Riegel sich in der Position „Geschlossen“ befindet.</li> </ul>
Wenn Sie weitere Unterstützung benötigen:	<ul style="list-style-type: none"> <li>• Besuchen Sie <a href="http://www.foodsavereurope.com">www.foodsavereurope.com</a> und wählen Sie Ihre Region aus.</li> </ul>

# Garantie

Bewahren Sie bitte unbedingt den Kaufbeleg auf. Dieser für die Geltendmachung von Garantieansprüchen zwingend erforderlich.

Die in diesem Dokument beschriebene Gerätegarantie gilt für einen Zeitraum von 2 Jahren ab Kaufdatum.

Sollte das Gerät entgegen aller Erwartungen innerhalb dieses Zeitraums aufgrund eines Konzeptions- oder Herstellungsfehlers nicht mehr einwandfrei funktionieren, können Sie es zusammen mit dem Kaufbeleg und einer Kopie dieses Garantiebelegs am Kaufort abgeben.

Die aus dieser Garantie erwachsenden Ansprüche und Leistungen sind als Ergänzung zu Ihren gesetzlichen Ansprüchen anzusehen. Diese werden von dieser Garantie nicht beeinträchtigt. Diese Bedingungen können ausschließlich durch Jarden Consumer Solutions (Europe) Limited ("JCS (Europe)") geändert werden.

JCS (Europe) verpflichtet sich innerhalb der Garantiedauer zur kostenlosen Reparatur oder zum kostenlosen Austausch des Geräts bzw. von Geräteteilen, die nachweislich nicht ordnungsgemäß funktionieren. Es gelten jedoch folgende Voraussetzungen:

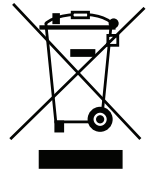
- Sie müssen den Händler oder JCS (Europe) unverzüglich über das Problem informieren.
- An dem Gerät wurden keinerlei Änderungen vorgenommen, es wurde nur bestimmungsgemäß eingesetzt, nicht beschädigt und nicht von Personen repariert, die von JCS (Europe) nicht autorisiert wurden.

Mängel, die auf unsachgemäße Nutzung, Beschädigung, nicht zugelassene elektrische Spannung, Naturgewalten, Ereignisse außerhalb der Kontrolle durch JCS (Europe), Reparaturen oder Änderungen durch Personen, die von JCS (Europe) nicht autorisiert wurden, oder Nichtbeachtung der Nutzungsanweisungen zurückzuführen sind, werden von dieser Garantie nicht abgedeckt. Außerdem sind durch normale Gebrauchsabnutzung entstandene Mängel, wie beispielsweise geringfügige Verfärbungen und Kratzer, von dieser Garantie ausgenommen. Die im Rahmen dieser Garantie eingeräumten Rechte gelten ausschließlich für den ursprünglichen Käufer und dürfen nicht auf die kommerzielle oder kommunale Nutzung ausgedehnt werden.

Falls Ihr Gerät mit einer länderspezifischen Garantie oder Gewährleistung geliefert wurde, sollten Sie sich nach deren Bedingungen und nicht nach dieser Garantie richten. Nötigenfalls kann Ihnen der örtliche Vertragshändler weitere Informationen geben.

Elektrische Altgeräte dürfen nicht über den Hausmüll entsorgt werden. Geben Sie, falls möglich, diese Geräte bei geeigneten Rücknahmestellen ab. Wenn Sie weitere Informationen zur Rücknahme und Entsorgung von Elektrogeräten erhalten möchten, senden Sie bitte eine E-Mail an die Adresse [enquiriesEurope@jardencs.com](mailto:enquiriesEurope@jardencs.com)

Jarden Consumer Solutions (Europe) Limited  
5400 Lakeside  
Cheadle Royal Business Park  
Cheadle  
SK8 3GQ  
United Kingdom



## Precauciones Importantes

Este aparato puede ser utilizado por niños a partir de 8 años de edad y por personas con disminución de capacidades físicas, sensoriales o mentales o sin experiencia ni conocimientos si reciben supervisión o instrucciones relativas al uso seguro del aparato y comprenden los riesgos que implica. Los niños no deben jugar con el aparato. Los niños no deben realizar la limpieza ni el mantenimiento sin supervisión.

Si el cable de alimentación está dañado, deberá sustituirlo el fabricante o el agente de servicio correspondiente, o bien una persona cualificada para este trabajo. De esta forma se evitarán riesgos.

- Utilice siempre el aparato sobre una superficie estable, segura, seca y horizontal.
- **PRECAUCIÓN: ESTE SELLADOR NO ESTÁ DISEÑADO PARA USO COMERCIAL.** No utilice nunca el aparato para ningún fin distinto de aquel para el que ha sido diseñado. Este aparato es para uso doméstico exclusivamente. No utilice este aparato al aire libre.
- Nunca sumerja el aparato, el cable de alimentación o el conector en agua ni en ningún otro líquido.
- No utilice el aparato si este se ha caído al suelo o si presenta signos visibles de daños.
- Asegúrese de que el aparato está apagado y desconectado de la toma eléctrica después de usarlo y antes de limpiarlo.
- Para desconectar, desenchufe el cable de alimentación de la toma eléctrica. No desconecte el cable tirando de él.
- No utilice un cable alargador con el aparato.
- Utilice solo accesorios o piezas recomendados por el fabricante.
- Al recalentar alimentos en bolsas FoodSaver™, asegúrese de que las coloca en agua caliente por debajo de 75°C (170°F).

- LOS ALIMENTOS CONTENIDOS EN BOLSAS PUEDEN DESCONGELARSE PERO NO CALENTARSE EN MICROONDAS. Al descongelar en el microondas los alimentos contenidos en bolsas FoodSaver™, asegúrese de no superar la potencia máxima de 180 vatios (ajuste de descongelación) durante 2 minutos como máximo a una temperatura máxima de 70°C (158°F).

### CONSERVE ESTAS INSTRUCCIONES

## Sistema de envasado al vacío FoodSaver™

### ¿Por qué envasar al vacío?

La exposición de los alimentos al aire provoca en estos pérdida nutricional y de sabor, además de permitir que proliferen numerosos tipos de bacterias, moho y levadura. El sistema de envasado al vacío FoodSaver™ extrae el aire y conserva en el interior el sabor y la calidad. Gracias a las numerosas opciones que te ofrece la gama completa de bolsas y tarros FoodSaver™, ahora puedes disfrutar de las ventajas de un método de almacenamiento de alimentos probado científicamente que mantiene los alimentos frescos durante un tiempo hasta cinco veces superior.

### El sistema FoodSaver™ ahorra tiempo y dinero

- Gaste menos dinero. Con el sistema FoodSaver™, puede comprar a granel o en oferta y envasar al vacío los alimentos en el tamaño de ración deseado sin desperdiciar comida.
- Ahorre más tiempo. Cocine por adelantado para toda la semana preparando las comidas y guardándolas en bolsas FoodSaver™.
- Marine en unos minutos. El envasado al vacío abre los poros de los alimentos, lo que le permite conseguir ese gran sabor de los alimentos marinados en solo 20 minutos en lugar de una noche entera.
- Organice comidas con amigos con mayor facilidad. Prepare su plato estrella con antelación para poder pasar tiempo con sus invitados.
- Disfrute de alimentos de temporada o especiales. Mantenga frescos durante más tiempo alimentos altamente perecederos o de uso infrecuente.
- Controle el tamaño de las raciones para dietas. Envase al vacío raciones razonables y anote las calorías y el contenido de grasa en la bolsa.

- Proteja artículos no alimenticios. Mantenga el material de camping y de navegación seco y listo para sus excursiones. Evite que la plata pulida pierda lustre reduciendo al mínimo su exposición al aire.

## Accesorios FoodSaver™

Aproveche al máximo su aparato FoodSaver™ con las bolsas, tarros y accesorios fáciles de usar de FoodSaver™.

### Bolsas y rollos FoodSaver™

Las bolsas y rollos FoodSaver™ presentan unos canales especiales que permiten extraer el aire de forma eficiente. Su fabricación en múltiples capas las convierte en una barrera especialmente eficaz contra el oxígeno y la humedad, además de prevenir las quemaduras provocadas por la congelación. Hay bolsas y rollos FoodSaver™ de diferentes tamaños.

### Tarros FoodSaver™

Los tarros FoodSaver™ son fáciles de usar e idóneos para envasar al vacío alimentos delicados, tales como las magdalenas y otros artículos de repostería, líquidos y alimentos secos.

### Bolsas con cierre tipo cremallera FoodSaver™

Las Bolsas con cierre tipo cremallera FoodSaver™ presentan unos canales especiales que permiten extraer el aire de forma eficiente. Su fabricación en múltiples capas las convierte en una barrera especialmente eficaz contra el oxígeno y la humedad.

### Contenedores de alimentos frescos FoodSaver™

Los Contenedores de alimentos frescos FoodSaver™ son fáciles de usar e idóneos para envasar al vacío alimentos delicados, tales como las magdalenas y otros artículos de repostería, líquidos y alimentos secos.

### Tapón FoodSaver™

Utilice tapones de botella FoodSaver™ para envasar al vacío vino, líquidos no carbonatados y aceite. Esto hace que el líquido dure más tiempo y conserve su sabor. No utilice el tapón de botella con botellas de plástico.

### Marinador rápido FoodSaver™

El marinador rápido infunde sabor a los alimentos en minutos en lugar de horas empleando la potencia del vacío para que los marinados penetren profundamente en los alimentos.

## Dónde comprar

Para saber dónde comprar bolsas, rollos y accesorios FoodSaver™, visite [www.foodsavereurope.com](http://www.foodsavereurope.com) y seleccione su región.

## Piezas

Referencias a la Fig. 1:

- |                                     |  |
|-------------------------------------|--|
| <b>A</b> Junta superior             | <b>I</b> Luz de alimentación                   |
| <b>B</b> Bandeja de goteo extraíble | <b>J</b> Luces de progreso                     |
| <b>C</b> Pestillo de la tapa        | <b>K</b> Luz de progreso de sellado            |
| <b>D</b> Junta inferior             | <b>L</b> Botón Solo sellado                    |
| <b>E</b> Banda de sellado           | <b>M</b> Botón Vacío y sellado                 |
| <b>F</b> Panel de control           | <b>N</b> Botón Alimentos húmedos               |
| <b>G</b> Puerto de accesorio        | <b>O</b> Luz de advertencia de recalentamiento |
| <b>H</b> Envasadora manual          |  |

## Cómo fabricar una bolsa a partir de un rollo FoodSaver™

Puede crear bolsas del tamaño que desee a partir de un rollo FoodSaver™. Referencias a la Fig. 2:

1. Conecte la envasadora al vacío a una toma eléctrica. Presione ambos pestillos (**C**) y abra la tapa. Coloque el extremo abierto del rodillo sobre la banda de sellado (**E**) de manera que el extremo del rollo toque el borde delantero de la junta inferior. **No deje que el extremo de la bolsa entre en la bandeja de goteo.**
2. Cierre la tapa por completo hasta que emerjan los pestillos (**C**). Cuando esté correctamente cerrada, aparecerá una banda verde alrededor del pestillo y se encenderá la luz verde de alimentación (**I**).
3. Presione el botón Solo sellado (**L**) o el botón Vacío y sellado (**M**).
4. Cuando se apague la luz roja de progreso del sellado (**K**), presione ambos pestillos y retire el rollo. El extremo del rollo estará ahora sellado.
5. Mida la longitud requerida para el artículo que desea envasar. Deje un margen de 75 mm para el sellado de la bolsa y luego corte el rollo transversalmente.

# Utilización de la envasadora al vacío

Referencias a la Fig. 3:

1. Coloque el artículo que desea envasar en la bolsa. Puede utilizar una bolsa FoodSaver™ lista para usar o crear su propia bolsa a partir de un rollo FoodSaver™.
2. Coloque el extremo abierto de la bolsa en la ranura de la bandeja de goteo (B).
3. Cierre y bloquee la tapa. Cuando esté correctamente cerrada, aparecerá una banda verde alrededor del pestillo y se encenderá la luz verde de alimentación (I).
4. Pulse el botón Vacío y sellado (M). La envasadora al vacío comenzará a extraer el aire de la bolsa y luego a sellarla.
5. Cuando se detengan las luces de progreso (J) y se apague la luz roja de progreso de sellado (K), el proceso habrá acabado.

## Envasado de alimentos húmedos

Si está envasando alimentos que están húmedos o que son muy jugosos, pulse el botón Alimentos húmedos (N) ANTES de pulsar el botón Vacío y sellado.

## Sellado de una bolsa si extraer el aire

Para sellar una bolsa sin extraer el aire, pulse el botón Solo sellado (L). Puede sellar bolsas para envasar aperitivos como patatas fritas, tortillas mexicanas, etc.

## Envasado de artículos delicados

Algunos artículos, como pastas de repostería, pan, galletas, etc., pueden romperse al sellarlos. Para evitar que esto suceda, utilice el botón Solo sellado (L) de la siguiente forma:

1. Siga los pasos 1, 2 y 3 del apartado *Utilización de la envasadora al vacío*.
2. Presione el botón Solo sellado (L) antes de que se machaquen los artículos. Ello detendrá de inmediato la extracción de aire y luego sellará la bolsa.

## Utilización de accesorios FoodSaver™

Para envasar al vacío una Bolsa con cierre tipo cremallera o un Contenedor de alimentos frescos:

1. Introduzca el extremo del conector de la envasadora manual (H) en el puerto de accesorio (G) de la unidad FoodSaver™.

2. Coloque el extremo del sellador manual sobre la válvula del accesorio y asegúrese de que está bien conectado. Siga cualquier instrucción específica que se suministre con el accesorio FoodSaver™.

Nota: Para envasar al vacío un tarro FoodSaver™, extraiga el depósito (sección inferior transparente) del sellador tirando de él hacia abajo para separarlo de la sección superior. Introduzca el extremo del sellador en el puerto del tarro.

3. Pulse el botón Vacío y sellado (M).
4. Cuando se detengan las luces de progreso (J) y se apague la luz roja de progreso de sellado (K), el proceso habrá acabado.



## Conservación y limpieza

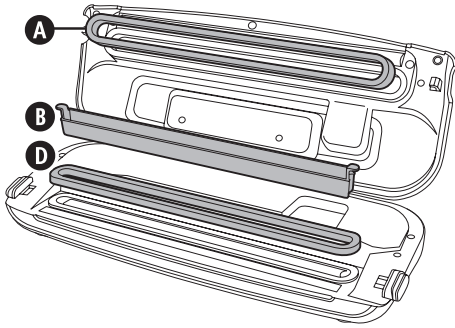
**Nunca sumerja el aparato, el cable de alimentación o el conector en agua ni en ningún otro líquido. Desconecte siempre el aparato antes de limpiarlo.**

Pase un paño suave y seco por la carcasa del aparato.

Retire y vacíe la bandeja de goteo (B) después de cada uso. Lávela con agua caliente y jabón o colóquela en el compartimento superior del lavavajillas. Séquela a conciencia antes de volver a colocarla.

Compruebe las juntas superior (A) e inferior (D) y los alrededores de la bandeja de goteo para asegurarse de que no presentan restos de alimentos. Limpie las juntas con un paño humedecido en agua caliente y jabón si es preciso.

Las juntas pueden retirarse para limpiarlas. Límpielas con agua caliente y jabón. Séquelas a conciencia y luego vuelva a colocarlas con cuidado.



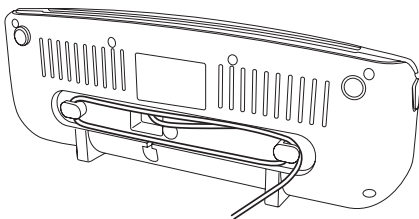
Extraiga el depósito del sellador de mano después de cada uso. Lávelo con agua caliente jabonosa y déjelo secar por completo al aire antes de volver a colocarlo.

Para que el producto FoodSaver™ siga funcionando correctamente, recomendamos cambiar las juntas cada año. Para pedir recambios, visite [www.foodsavereurope.com](http://www.foodsavereurope.com).

## Almacenamiento

Cierre la tapa hasta que oiga el primer "clic", de manera que los pestillos se sujeten pero no emerjan ni muestren la banda verde. Esto basta para asegurar la tapa, pero evita que se compriman las juntas (lo que puede provocar un funcionamiento incorrecto de la unidad).

Enrolle el cable alrededor de las patas situadas debajo de la unidad. La unidad puede almacenarse en posición vertical como se muestra en la imagen.



## Guía, sugerencias y trucos de almacenamiento

### Envasado al vacío y seguridad alimentaria

El proceso de envasado al vacío prolonga la duración de los alimentos mediante la extracción de la mayor parte del aire del contenedor envasado, lo que reduce la oxidación y afecta al valor nutricional, al sabor y a la calidad global de los alimentos. La extracción del aire también puede impedir el crecimiento de microorganismos que pueden provocar problemas en determinadas circunstancias:

Para conservar los alimentos de forma segura, es crucial mantenerlos a baja temperatura. Puede reducir significativamente el crecimiento de microorganismos a una temperatura de 4°C o inferior.

La congelación a -17°C no mata a los microorganismos, pero impide su crecimiento. Para un almacenamiento a largo plazo, congele siempre los alimentos perecederos que hayan sido envasados al vacío y manténgalos refrigerados una vez descongelados.

Es importante señalar que el envasado al vacío NO es un sustituto del enlatado y no permite revertir el deterioro de los alimentos. Solo permite ralentizar los cambios de calidad. Es difícil predecir el tiempo que los alimentos van a conservar un sabor, aspecto o textura de primera calidad, puesto que depende de la antigüedad y el estado de los alimentos en el momento en que se envasan al vacío.

Importante: El envasado al vacío NO es un sustituto de la refrigeración o congelación. Todo alimento perecedero que requiera refrigeración deberá refrigerarse o congelarse después de ser envasado al vacío. Para evitar posibles enfermedades, no reutilice las bolsas después de haber almacenado en ellas carne cruda, pescado crudo o alimentos grasientos. No reutilice las bolsas que hayan sido calentadas en microondas o a fuego lento.

## Descongelación y recalentamiento de alimentos envasados al vacío



Descongele siempre los alimentos en el frigorífico o en horno microondas –no descongele alimentos perecederos a temperatura ambiente.

Los alimentos contenidos en bolsas pueden descongelarse pero no calentarse en microondas. Al descongelar en el microondas los alimentos contenidos en bolsas FoodSaver™, asegúrese de no superar la potencia máxima de 180 vatios (ajuste de descongelación) durante 2 minutos como máximo a una temperatura máxima de 70°C (158°F). También puede recalentar los alimentos en bolsas FoodSaver™ colocándolas en agua caliente a una temperatura inferior a 75°C (170°F). Siga cualquier instrucción específica que se suministre con las bolsas FoodSaver™.

# Directrices de preparación

## Carne y pescado



Para obtener un resultado óptimo, precongela la carne y el pescado durante 1-2 horas antes de envasarlos al vacío en una bolsa FoodSaver™. Esto contribuye a conservar el jugo y la forma, además de garantizar un mejor sellado. Si no es posible pre congelarlos, coloque un trozo de papel de cocina doblado entre la carne o pescado y la parte superior de la bolsa, pero debajo del área de sellado.

Deje un trozo de papel de cocina en la bolsa para que absorba la humedad sobrante y los jugos durante el proceso de envasado al vacío.

Nota: La ternera puede parecer más oscura tras envasarla al vacío debido a la extracción del oxígeno. Dicho oscurecimiento no debe considerarse como indicio de que la ternera ya no es comestible.

## Quesos duros



Para mantener frescos estos quesos, enváselos al vacío después de cada uso. Haga una bolsa FoodSaver™ extralarga, dejando 25 mm de material de bolsa por

cada vez que tenga previsto abrir y resellar, además de los 75 mm de espacio que debe dejar habitualmente entre el contenido y el sello.

Simplemente corte el borde sellado y extraiga el queso. Cuando esté listo para volver a sellar el queso, solo tendrá que meterlo en la bolsa y volver a sellarlo.

Importante: Debido al riesgo que suponen las bacterias anaerobias, los quesos blandos no deben nunca envasarse al vacío.

## Verduras



Las verduras deben cocerse antes de envasarse al vacío. Este proceso detiene la acción de las enzimas que podrían provocar pérdida de sabor, color y textura.

Para escaldar verduras, colóquelas en agua hirviendo o en el microondas hasta que estén cocinadas pero aún estén crujientes. El tiempo de escaldado oscila entre 1 y 2 minutos para hojas verdes y guisantes; 3 y 4 minutos para guisantes tirabeques, calabacín en rodajas o brócoli; 5 minutos para la zanahoria; y 7 y 11 minutos para la mazorca de maíz. Tras escaldar las verduras, sumérlas en agua fría para detener el proceso de cocción. Finalmente, seque las verduras con papel de cocina antes de envasarlas al vacío.

Nota: Todas las verduras (entre ellas el brócoli, las coles de Bruselas, el repollo, la coliflor, la col rizada y el nabo) emiten de forma natural gases durante su almacenamiento. Por consiguiente, una vez escaldados, deben almacenarse únicamente en el congelador.

Al congelar verduras, es conveniente pre congelarlas durante 1-2 horas o hasta que estén totalmente congeladas. Para congelar verduras en raciones individuales, coloque primero una bandeja de horno y espárzalas para que no estén en contacto. Esto evita que se congelen formando un bloque. Cuando estén congeladas las verduras, retírelas de la bandeja de horno y enváselas al vacío en una bolsa FoodSaver™. Tras envasarlas al vacío, vuelva a meterlas en el congelador.

Importante: Debido al riesgo que suponen las bacterias anaerobias, las setas frescas, la cebolla y el ajo no deben nunca envasarse al vacío.

## Verduras de hojas



Para obtener un resultado óptimo, utilice un tarro para almacenar verduras de hojas. Lave primero las verduras y luego séquelas con papel de cocina o una centrifugadora de verduras.

Una vez secas, métalas en un tarro y enváselas al vacío de la forma habitual. Guárdelas en el frigorífico.

## Frutas



Al congelar frutas blandas o bayas, es conveniente pre congelarlas durante 1-2 horas o hasta que estén totalmente congeladas. Para congelar fruta en raciones individuales, coloque primero una bandeja de horno y espárzalas para que no estén en contacto. Esto evita que se congelen formando un bloque. Cuando estén congeladas las frutas, retírelas de la bandeja de horno y enváselas al vacío en una bolsa FoodSaver™.

Tras envasarlas al vacío, vuelva a meterlas en el congelador. Puede envasar al vacío raciones para hornear, o bien combinándolas como desee para disfrutar de ensaladas de fruta todo el año. Si las guarda en el frigorífico, recomendamos utilizar un tarro FoodSaver™.

## Alimentos horneados



Para envasar al vacío alimentos horneados frágiles, recomendamos utilizar un tarro FoodSaver™ para que conserven su forma.

Empleando una bolsa, precongélelos durante 1-2 horas o hasta que queden totalmente sólidos por la congelación. Para ahorrar tiempo, prepare de antemano masa de galletas, bases de tartas, tartas completas o mezcla de ingredientes secos y enváselas al vacío para utilizarlas posteriormente.



## Café y alimentos en polvo



Para evitar que penetren partículas de alimentos en la bomba de vacío, coloque un filtro de café o papel de cocina en la parte superior de la bolsa o el tarro antes de envasar al vacío. Puede colocar los

alimentos en su bolsa original dentro de una bolsa FoodSaver™ o utilizar una tapa universal FoodSaver™ con el contenedor original para envasarlos al vacío.

## Líquidos



Antes de envasar al vacío líquidos, tales como caldos, precongélelos en una cazuela, un molde de pan o una bandeja de cubitos de hielo. Retire el líquido congelado del cazo y envase al vacío en una bolsa FoodSaver™.

Puede apilar estos bloques congelados en el congelador.

Cuando desee utilizarlos, simplemente corte una esquina de la bolsa y colóquela en el microondas o méta la en agua para que se caliente por debajo de 75°C (170°F).

Para envasar al vacío líquidos embotellados no carbonatados, puede utilizar un tapón FoodSaver™ con el contenedor original.

No olvide dejar al menos 25 mm de espacio entre el contenido y la parte inferior del tapón. Puede volver a sellar las botellas después de utilizarlas.

## Comidas preparadas previamente, restos de comida y sándwiches



Almacene eficientemente sus comidas preparadas previamente, restos de comida y sándwiches en los contenedores apilables y ligeros FoodSaver™. Son aptos para microondas, pueden lavarse en el compartimento superior del lavavajillas y se suministran con un adaptador personalizado.


¡Estos contenedores ligeros estarán listos para llevarlos a la oficina, al colegio o de excursión!

## Aperitivos



Los aperitivos conservan toda su frescura durante más tiempo envasándolos al vacío. Para obtener un resultado óptimo, utilice un tarro FoodSaver™ para artículos que puedan aplastarse, tales como galletas.

## Solución de problemas

Problema	Solución
Se enciende la luz  que advierte de un recalentamiento	<ul style="list-style-type: none"> <li>La unidad se ha recalentado. Espere a que se apague la luz de recalentamiento antes de utilizarla.</li> </ul>
La bomba permanece en funcionamiento durante más de 2 minutos pero no se extrae aire.	<ul style="list-style-type: none"> <li>Asegúrese de que el extremo abierto de la bolsa se introduce en la bandeja de goteo.</li> <li>Compruebe para asegurarse de que las juntas se ajustan correctamente.</li> <li>Asegúrese de que al menos un extremo de la bolsa está sellado.</li> <li>Abra la unidad y compruebe que no haya objetos externos, suciedad o residuos en las juntas superior o inferior.</li> <li>Asegúrese de que haya espacio suficiente en la parte superior de la bolsa (75 mm) para que quepa en la bandeja de goteo con la tapa cerrada y bloqueada.</li> <li>Asegúrese de que no está conectada la envasadora manual.</li> <li>Asegúrese de que la tapa está totalmente cerrada (la banda verde se muestra alrededor del pestillo y la luz verde de alimentación está encendida).</li> </ul>
La bolsa no se sella correctamente.	<ul style="list-style-type: none"> <li>Hay demasiado líquido en la bolsa. Congele el contenido de la bolsa antes de envasarlo al vacío.</li> <li>Para evitar arrugas en el sellado, estire con cuidado la bolsa para dejarla plana mientras la introduce en la bandeja de goteo y continúe sujetando la bolsa hasta que se ponga en marcha la bomba de vacío.</li> <li>Cree un segundo sellado por encima del primer sellado de la bolsa para asegurarse de que el sellado sea correcto al sellar alimentos húmedos.</li> </ul>
No sucede nada al cerrar el pestillo y pulsar el botón Vacío y sellado o el botón Solo sellado.	<ul style="list-style-type: none"> <li>Asegúrese de que la tapa está totalmente cerrada (la banda verde se muestra alrededor del pestillo y la luz verde de alimentación está encendida).</li> </ul>
Si necesita ayuda adicional:	<ul style="list-style-type: none"> <li>Visite <a href="http://www.foodsavereurope.com">www.foodsavereurope.com</a> y seleccione su región.</li> </ul>

## Garantía

Guarde este recibo ya que lo necesitará para cualquier reclamación dentro de esta garantía.

Este producto tiene una garantía de 2 años desde la fecha de compra tal como se describe en este documento.

Durante este período de garantía, en el improbable caso de que el aparato ya no funcione debido a un fallo de diseño o fabricación, devuélvalo al lugar donde lo compró con su recibo de caja y una copia de esta garantía.

Los derechos y ventajas de esta garantía son adicionales a sus derechos estatutarios, que no se verán afectados por esta garantía. Sólo Jarden Consumer Solutions (Europe) Limited ("JCS (Europe)") tiene derecho a cambiar estos términos.

JCS (Europe) se compromete, durante el período de garantía, a reparar o cambiar el aparato, o cualquier parte del aparato que no funcione correctamente, de manera gratuita siempre que:

- Informe inmediatamente al establecimiento de compra o a JCS (Europe) del problema; y
- No se haya modificado el aparato de ninguna forma ni se haya sometido a daños, uso indebido, mal uso o reparación por cualquier otra persona no autorizada por JCS (Europe).

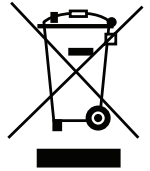
Los fallos que se produzcan por uso indebido, daños, mal uso, uso con un voltaje incorrecto, desastres naturales, acontecimientos que escapan al control de JCS (Europe), reparaciones o modificaciones realizadas por una persona no autorizada por JCS (Europe) o por no seguir las instrucciones de uso no están cubiertas por esta garantía. Además, el desgaste o deterioro debidos al uso normal, incluidos, sin limitación, los arañazos y las pequeñas decoloraciones no están cubiertos por esta garantía.

Los derechos de esta garantía sólo se aplicarán al comprador original y no se cubrirán el uso comercial o comunitario.

Si el aparato incluye una garantía específica de algún país, consulte los términos y condiciones de dicha garantía en sustitución de la presente garantía, o póngase en contacto con el comerciante autorizado de su localidad para obtener más información.

Los productos eléctricos desechados no se deben eliminar con la basura doméstica. Recíclelos donde existan instalaciones para tal fin. Envíenos un mensaje de correo electrónico a [enquiriesEurope@jardencs.com](mailto:enquiriesEurope@jardencs.com) para obtener más información sobre WEEE y el reciclaje.

Jarden Consumer Solutions (Europe) Limited  
Edif. Vázquez Krasnow  
C/ Camino de la Zarzuela, 21  
1º - Oficina 1B  
28023 - Aravaca  
Madrid, España  
Tel: +34 90 2051506



# Instruções de Segurança Importantes

Este aparelho pode ser utilizado por crianças com mais de 8 anos e pessoas com capacidades físicas, sensoriais ou mentais reduzidas ou falta de experiência e conhecimento, se forem supervisionadas ou receberem instruções relacionadas com a utilização do aparelho numa área segura e compreenderem os riscos envolvidos. As crianças não devem brincar com o aparelho. A limpeza e manutenção de utilização não deve ser feita por crianças sem supervisão.

Se o cabo de alimentação estiver danificado, deve ser substituído pelo fabricante, o respetivo agente de assistência ou pessoas semelhantes qualificadas, a fim de evitar acidentes.

- Utilize sempre o aparelho sobre uma superfície estável, segura, seca e nivelada.
- **ATENÇÃO: ESTE APARELHO PARA EMBALAR NÃO É PARA UTILIZAÇÃO COMERCIAL.** Nunca utilize este aparelho para outro efeito que não o destinado. Este aparelho destina-se apenas a uso doméstico. Não utilize este aparelho no exterior.
- Nunca mergulhe o aparelho ou o cabo de alimentação e a ficha em água ou em qualquer outro líquido.
- Não utilize o aparelho se o tiver deixado cair ou se houver quaisquer sinais visíveis de danos.
- Antes de limpar o aparelho, certifique-se de que está desligado no interruptor e na tomada de alimentação.
- Para o desligar, desligue o cabo de alimentação da tomada elétrica. Não desligue puxando o cabo.
- Não utilize uma extensão com o aparelho.
- Utilize apenas acessórios ou junções recomendados pelo fabricante.
- Quando reaquecer alimentos nos sacos FoodSaver™, certifique-se de que os coloca em água em lume brando a uma temperatura reduzida, abaixo de 75°C (170°F).
- **OS ALIMENTOS DENTRO DO SACO PODEM SER DESCONGELADOS MAS NÃO REAQUECIDOS**

NUM MICRO-ONDAS. Quando descongelar alimentos no micro-ondas em sacos FoodSaver™, certifique-se de não exceder a potência máxima de 180 watts (definição de descongelação), tempo máximo de 2 minutos e temperatura máxima de 70°C (158°F).

## GUARDE ESTAS INSTRUÇÕES

## Sistema FoodSaver™ para embalar a vácuo

### Porquê embalar a comida a vácuo?

A exposição ao ar faz com que os alimentos percam nutrientes e sabor, permitindo também que se desenvolvam muitas bactérias, bolor e levedura. O sistema FoodSaver™ para embalar a vácuo retira o ar e conserva hermeticamente o sabor e a qualidade. Com uma linha completa de recipientes e sacos FoodSaver™ para alargar as suas opções, pode agora desfrutar dos benefícios de um método cientificamente comprovado de armazenamento de alimentos que os mantém frescos durante um período cinco vezes superior ao habitual.

### O sistema FoodSaver™ Poupa Tempo e Dinheiro

- Gaste menos dinheiro. Com o sistema FoodSaver™, pode comprar alimentos em grande quantidade ou em promoção e embalá-los a vácuo nas quantidades pretendidas sem desperdiçar comida.
- Poupe mais tempo. Cozinhe com antecedência para toda a semana, preparando as refeições e guardando-as em sacos FoodSaver™.
- Marinar em minutos. Embalar a vácuo abre os poros dos alimentos para que consiga obter aquele sabor fantástico da marinada em apenas 20 minutos em vez de demorar a noite inteira.
- Facilite a receção de visitantes. Confeccione a sua especialidade com antecedência para que possa passar mais tempo com os convidados.
- Desfrute de especialidades ou alimentos da estação. Mantenha frescos durante mais tempo os alimentos com maior probabilidade de deterioração ou aqueles que utiliza com menos frequência.
- Controle as porções para a dieta. Embale a vácuo porções razoáveis e escreva as calorias e o conteúdo de gordura no saco.
- Proteja artigos não alimentares. Mantenha seco e organizado o equipamento de campismo e do barco para quando sai. Evite que a prata areada perca o brilho minimizando a exposição ao ar.

## Acessórios FoodSaver™

Aproveite ao máximo o aparelho FoodSaver™ com sacos, recipientes e acessórios FoodSaver™ fáceis de utilizar.

### Sacos e rolos FoodSaver™

Os sacos e rolos FoodSaver™ incluem canais especiais que permitem uma remoção eficiente do ar. A formação de camadas múltiplas torna-os uma barreira especialmente resistente ao oxigénio e à humidade e ajuda a evitar queimaduras devido à congelação. Os sacos e rolos FoodSaver™ encontram-se disponíveis em diversos tamanhos.

### Recipientes FoodSaver™

Os recipientes FoodSaver™ são fáceis de utilizar e ideais para embalar a vácuo alimentos delicados como queques e outros produtos de padaria, líquidos e produtos secos.

### Sacos de fecho FoodSaver™

Os Sacos de fecho FoodSaver™ incluem canais especiais que permitem uma remoção eficiente do ar. A formação de camadas múltiplas torna-os uma barreira especialmente resistente ao oxigénio e à humidade.

### Recipientes FoodSaver™ para conservação de alimentos frescos

Os recipientes FoodSaver™ para conservação de alimentos frescos são fáceis de utilizar e ideais para embalar a vácuo alimentos delicados como queques e outros produtos de padaria, líquidos e produtos secos.

### Rolha FoodSaver™

Utilize rolhas FoodSaver™ para embalar a vácuo vinho, bebidas sem gás e óleos. Se o fizer, prolongará a duração do líquido e preservará o sabor. Não utilize a rolha em garrafas de plástico.

### Marinador Rápido FoodSaver™

O marinador rápido transmite sabor aos alimentos em minutos em vez de horas utilizando o poder do vácuo para uma absorção profunda das marinadas por parte dos alimentos.

### Encomendas

Para encomendar os sacos, rolos e acessórios FoodSaver™, visite [www.foodsavereurope.com](http://www.foodsavereurope.com) e seleccione a sua região.

## Componentes

Referente a Fig. 1.

- |  |   |
|--|---|
| <b>A</b> Vedante superior              | <b>I</b> Luz de funcionamento                   |
| <b>B</b> Bandeja escorredora removível | <b>J</b> Luzes indicadoras do progresso         |
| <b>C</b> Fecho de tampa                | <b>K</b> Luz indicadora do progresso de selagem |
| <b>D</b> Vedante inferior              | <b>L</b> Botão Só Selar                         |
| <b>E</b> Faixa de selagem              | <b>M</b> Botão Vácuo e Selar                    |
| <b>F</b> Painel de controlo            | <b>N</b> Botão Comida Húmida                    |
| <b>G</b> Entrada para acessórios       | <b>O</b> Luz de aviso de sobreaquecimento       |
| <b>H</b> Equipamento de selagem manual |   |

## Fazer um saco a partir de um rolo FoodSaver™

Pode fazer os seus próprios sacos com tamanho personalizado a partir de um rolo FoodSaver™. Referente a Fig. 2:

1. Ligue o aparelho para embalar em vácuo a uma tomada elétrica. Pressione os dois fechos (**C**) e abra a tampa. Coloque a extremidade aberta do rolo por cima da faixa de selagem (**E**) para que a extremidade do rolo atinja a extremidade dianteira do vedante inferior. Não deixe a extremidade do saco entrar na bandeja escorredora.
2. Feche a tampa completamente até os fechos (**C**) saltarem. Se estiver corretamente fechada, fica uma faixa verde à volta do fecho e a luz de funcionamento verde (**I**) acende.
3. Pressione o Botão Só Selar (**L**) ou o Botão Vácuo e Selar (**M**).
4. Quando a luz vermelha indicadora do progresso de selagem (**K**) se apagar, pressione os dois fechos e retire o rolo. A extremidade do rolo estará agora selada.
5. Meça o comprimento necessário para o item a ser embalado. Acrescente mais 75 mm para permitir que o saco seja selado, depois corte o rolo a direito.

## Utilizar o Aparelho para Embalar em Vácuo

Referente a Fig. 3:

1. Coloque o artigo a ser embalado dentro do saco. Pode utilizar um saco FoodSaver™ já pronto a utilizar ou criar um feito por si a partir de um rolo FoodSaver™.
2. Coloque a extremidade aberta do saco na ranhura da bandeja escorredora (B).
3. Feche e prenda a tampa. Se estiver corretamente fechada, fica uma faixa verde à volta do fecho e a luz de funcionamento verde (I) acende.
4. Pressione o botão Vácuo e Selar (M).
5. O aparelho de embalar em vácuo vai começar a remover o ar do saco e, em seguida, sela-o. Quando as luzes indicadoras do progresso (J) pararem e a luz vermelha indicadora de progresso (K) tiver apagado, o processo está concluído.

### Embalar alimentos húmidos

Se estiver a embalar alimentos húmidos ou muito sumarentos, pressione o botão Alimentos Húmidos (N) ANTES de pressionar o botão Vácuo e Selar. "

### Selar um saco sem remover o ar

Para selar um saco sem extrair o ar deste pressione o botão Só Selar (L). É possível selar os tipos de pacotes utilizados para embalar aperitivos, como batatas fritas, tiras de milho, etc.

### Selar itens delicados

Alguns itens como bolos, pão, bolachas, etc. podem ficar esmagados quando são selados. Para evitar essa situação, utilize o botão Só Selar (L) da seguinte forma:

1. Siga os passos 1, 2 e 3 de *Utilizar o Aparelho para Embalar em Vácuo*.
2. Pressione o botão Só Selar (L) antes que sejam esmagados. Parará imediatamente de extrair mais ar e selará em seguida o saco.

### Utilizar acessórios FoodSaver™

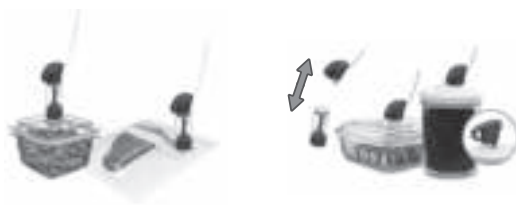
Para embalar a vácuo um saco de fecho ou um recipiente para conservação de alimentos frescos:

1. Insira a extremidade do conector do equipamento de selagem manual (H) na porta de acessório (G) no aparelho FoodSaver™.

2. Encaixe a extremidade do equipamento manual de selagem sobre a válvula do acessório e certifique-se de que está bem presa. Siga as instruções específicas que vêm com o acessório FoodSaver™.

Nota: Para embalar a vácuo um recipiente FoodSaver™, remova o depósito (parte de baixo transparente) do equipamento de selagem, puxando-o para baixo e separando-o da parte de cima. Introduza a extremidade do equipamento de selagem na abertura existente no recipiente.

3. Prima o botão Vácuo e Selar (M).
4. Quando as luzes indicadoras do progresso (J) pararem e a luz vermelha indicadora de progresso (K) tiver apagado, o processo está concluído.



## Cuidados e Limpeza

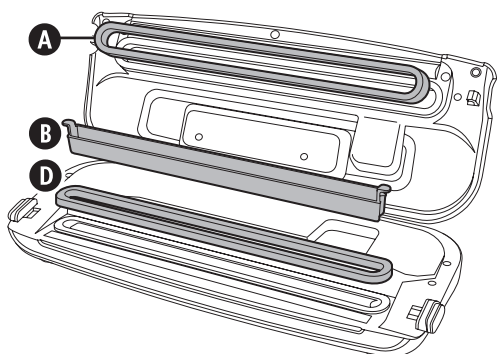
**Nunca imerja a unidade ou o cabo de alimentação e a ficha em água ou em qualquer outro líquido. Desligue sempre a unidade antes de a limpar.**

Limpe a estrutura do aparelho com um pano suave, seco.

Remova e esvazie a bandeja escorredora (F) após cada utilização. Lave-a em água quente com detergente ou coloque-a na prateleira superior de uma máquina de lavar louça. Seque cuidadosamente antes de a instalar de novo.

Verifique o vedante superior (A), vedante inferior (D) e à volta da bandeja escorredora para assegurar que não ficam restos de comida. Se necessário limpe os vedantes com um pano molhado em água quente com detergente.

Os vedantes podem ser retirados para serem limpos. Limpe-os com água quente com detergente. Seque-os cuidadosamente, em seguida volte a colocá-los.

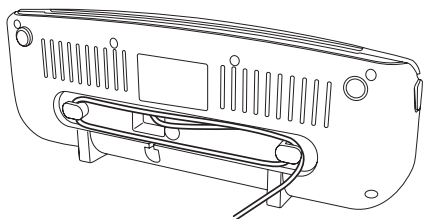


Após cada utilização, retire o depósito do equipamento de selagem manual. Lave em água morna e detergente e deixe secar bem ao ar antes de voltar a colocar.

Para manter o seu aparelho FoodSaver™ a trabalhar de forma eficiente, recomendamos que substitua os vedantes todos os anos. Para encomendar peças de substituição, visite [www.foodsavereurope.com](http://www.foodsavereurope.com).

## Armazenamento

1. Feche a tampa e mova o trinco (H) para a posição de armazenamento (P). Isto é suficiente para segurar a tampa mas evita comprimir os vedantes (que pode causar um funcionamento incorreto da unidade).
2. Levante a frente do aparelho e coloque-o sobre os pés de armazenamento numa posição vertical.



## Guia de Armazenamento, Dicas e Sugestões

### Embalar a vácuo e segurança alimentar

O processo de embalar a vácuo prolonga a validade dos alimentos através da remoção da maior parte do ar do recipiente selado, reduzindo assim a oxidação, que afeta o valor nutricional, o sabor e a qualidade geral. A remoção do ar pode também inibir o crescimento de micro-organismos, o que pode causar problemas em determinadas condições:

Para preservar os alimentos em segurança, é fundamental que os mantenha a temperaturas baixas. Pode reduzir de forma significativa o crescimento de micro-organismos até uma temperatura de 4°C ou inferior.

A congelação de alimentos a -17°C não destrói os micro-organismos, mas impede-os de crescer. Para um armazenamento de longa duração, congele sempre alimentos perecíveis que foram embalados a vácuo, e mantenha-os frescos após a descongelação.

É importante ter em consideração que embalar a vácuo NÃO é um substituto para o processo de conservação e não pode reverter o processo de deterioração dos alimentos. Só serve para abrandar as alterações na qualidade. É difícil prever durante quanto tempo os alimentos mantêm a melhor qualidade em termos de sabor, aspeto ou textura, porque isso depende da "idade" e condição do alimento no dia em que foi embalado a vácuo.

Importante: Embalar a vácuo NÃO é um substituto para refrigeração ou congelação. Todos os alimentos perecíveis ainda devem ser refrigerados ou congelados depois de serem embalados a vácuo. Para evitar possíveis contaminações, não reutilize sacos após guardar carnes ou peixes crus ou alimentos com gordura. Não reutilize sacos que tenham sido utilizados no micro-ondas ou fervidos.

### Descongelar e reaquecer alimentos embalados a vácuo



Descongele sempre os alimentos num frigorífico ou num micro-ondas – não descongele alimentos perecíveis à temperatura ambiente.

Os alimentos dentro do saco podem ser descongelados mas não reaquecidos num micro-ondas. Quando descongelar alimentos no micro-ondas em sacos FoodSaver™, certifique-se de não exceder a potência máxima de 180 watts (definição de descongelação), tempo máximo de 2 minutos e temperatura máxima de 70°C (158°F). Também é possível reaquecer alimentos nos sacos FoodSaver™ colocando-os em água em lume brando a uma temperatura inferior a 75°C (170°F). Siga as instruções específicas que vêm com os sacos FoodSaver™.

# Linhas de orientação para preparação

## Carne e peixe



Para obter os melhores resultados, congele previamente a carne e o peixe durante 1-2 horas antes de embalar a vácuo num saco FoodSaver™. Este procedimento ajuda a preservar os sucos e a forma e garante uma embalagem a vácuo melhor. Se não for possível congelar previamente, coloque papel de cozinha dobrado entre a carne ou peixe e a parte de cima do saco, mas abaixo do nível de selagem.

Deixe o papel de cozinha no saco para absorver algum excesso de humidade e de sucos durante o processo de embalagem a vácuo.

Nota: A carne de vaca pode ficar mais escura depois de ser embalada a vácuo por causa da remoção do oxigénio. Isto não é um sinal de deterioração.

## Queijos duros



Para manter o queijo fresco, embale-o a vácuo após cada utilização. Faça o saco FoodSaver™ bastante comprido, deixando 25 mm de material de embalar para cada

vez que pretende abrir e voltar a selar o saco, além de cerca de 75 mm que normalmente deixa entre o conteúdo e o selo.

Basta cortar a extremidade selada e retirar o queijo. Quando estiver pronto para voltar a embalar o queijo a vácuo, coloque-o no saco e volte a selar.

Importante: Devido ao risco de bactérias anaeróbias, os queijos moles nunca devem ser embalados a vácuo.

## Vegetais



Os vegetais devem ser escaldados antes da embalagem a vácuo. Este processo impede a ação das enzimas que poderia resultar na perda do sabor, cor e textura.

Para escaldar vegetais, coloque-os em água a ferver ou no micro-ondas até ficarem cozidos mas ainda crocantes. Os tempos de escalda variam entre 1 a 2 minutos para vegetais com folha e ervilhas; 3 a 4 minutos para ervilhas de vagem, courgette fatiada ou brócolos; 5 minutos para cenouras; e 7 a 11 minutos para maçaroca. Depois de escaldar, mergulhe os vegetais em água fria para interromper o processo de cozedura. Por último, seque os vegetais com um pano de cozinha antes de selar a vácuo.

Nota: Todos os vegetais (incluindo os brócolos, as couves de bruxelas, a couve, a couve-flor, o kale, os nabos) emitem naturalmente gases enquanto estão guardados.

Por este motivo, depois de escaldados, apenas podem ser guardados no congelador.

Quando congelar vegetais, é melhor congelá-los previamente durante 1-2 horas ou até estarem totalmente congelados. Para congelar vegetais em porções individuais, primeiro espalhe-os sobre papel vegetal de modo a não ficarem em contacto uns com os outros. Deste modo, impede que congelem juntos, formando um bloco. Quando estiverem congelados, retire os vegetais do papel vegetal e embale a vácuo num saco FoodSaver™. Depois de os embalar a vácuo, volte a colocá-los no congelador.

Importante: Devido ao risco de bactérias anaeróbias, os cogumelos, as cebolas e os alhos frescos nunca devem ser embalados a vácuo.

## Vegetais de folha



Para obter melhores resultados, guarde os vegetais de folha num recipiente. Lave primeiro os vegetais e, depois, seque-os com um pano da loiça ou centrifugadora para saladas.

Quando estiverem secos, coloque-os num recipiente e embale a vácuo normalmente. Guarde no frigorífico.

## Fruta



Quando congelar fruta mole ou bagas, é melhor congelá-las previamente durante 1-2 horas ou até estarem totalmente congeladas. Para congelar fruta em porções individuais, primeiro espalhe-a sobre papel vegetal de modo que as peças ou pedaços de fruta não fiquem em contacto uns com os outros. Deste modo, impede que congelem colados num único bloco. Quando estiver congelada, retire a fruta do papel vegetal e embale a vácuo num saco FoodSaver™.

Depois de a embalar a vácuo, volte a colocá-la no congelador. Pode embalar a vácuo porções para fazer bolos, ou nas suas combinações preferidas para confeccionar facilmente saladas de fruta todo o ano. Se guardar no frigorífico, recomendamos que utilize um recipiente FoodSaver™.

## Alimentos de padaria



Para embalar a vácuo alimentos de padaria moles ou fofos, recomendamos a utilização de um recipiente FoodSaver™ de modo a conservarem o seu formato. Se utilizar um saco, congele previamente durante 1-2 horas ou até ficarem completamente congelados. Para poupar tempo, faça a massa para biscoitos, a massa para tartes, as tartes inteiras ou misture ingredientes secos antecipadamente e embale a vácuo para utilizar mais tarde.

## Café ou alimentos em pó



Para evitar que as partículas dos alimentos passem para a bomba de vácuo, coloque um filtro de café ou papel de cozinha no cimo do saco ou recipiente antes de embalar a vácuo. Também pode colocar os alimentos no respetivo saco original dentro de um saco FoodSaver™, ou utilizar uma tampa universal FoodSaver™ com o recipiente original para embalar a vácuo.

## Líquidos



Antes de embalar a vácuo líquidos como caldo de sopa, congele previamente num tacho, numa forma para pão ou numa cuvette de gelo até solidificar. Remova o líquido


congelado e embale em vácuo num saco FoodSaver™. Pode empilhar estes "tijolos congelados" dentro do seu congelador.

Quando os quiser utilizar, basta cortar um dos cantos do saco e colocar num prato próprio para utilização em micro-ondas ou colocar em água e aquecer a uma temperatura inferior a 75°C (170°F).

Para embalar a vácuo líquidos engarrafados não gasificados, pode utilizar uma rolha FoodSaver™ com o recipiente original.

Lembre-se de deixar, pelo menos, 25 mm de espaço entre o conteúdo e a extremidade inferior da rolha. Pode voltar a selar as garrafas após cada utilização.

## Resolução de problemas

Problema	Solução
A luz de aviso de sobreaquecimento  acende	<ul style="list-style-type: none"><li>• Quando sujeito a utilização intensa, isto irá acontecer para evitar sobreaquecimento do aparelho. Se isto acontecer, espere 20 minutos para permitir que o aparelho arrefeça. Durante a utilização, espere sempre, pelo menos, 20 segundos antes de começar a embalar a vácuo outro alimento.</li></ul>
A bomba funciona durante mais de 2 minutos sem que o ar seja retirado.	<ul style="list-style-type: none"><li>• Certifique-se de que a extremidade aberta do saco está inserida na bandeja de gotejamento dentro da área de vedação inferior.</li><li>• Verifique se os dois vedantes estão devidamente montados e não danificados.</li><li>• Verifique se pelo menos uma das extremidades do saco está selada.</li><li>• Abra a unidade e verifique se não existe nenhum objeto estranho, sujidade ou restos de comida nos vedantes superior ou inferior.</li><li>• Certifique-se de que existe espaço suficiente no topo do saco (75 mm) para que encaixe na bandeja escorredora com a tampa fechada e presa.</li><li>• Assegure que equipamento manual de selagem não está encaixado.</li><li>• Certifique-se de que a tampa está completamente fechada com o trinco na posição fechada.</li></ul>
O saco não está a ser selado devidamente.	<ul style="list-style-type: none"><li>• Existe humidade ou gordura no saco no ponto de selagem. Limpe qualquer excesso de humidade com uma toalha de papel limpa e seca.</li><li>• Há muito líquido no saco. Congele os conteúdos do saco antes de embalar em vácuo.</li><li>• Existe um vinco na linha de selagem. Com cuidado, estique ligeiramente o saco na horizontal enquanto o insere na bandeja de gotejamento e mantenha-o assim até a bomba de vácuo começar a funcionar. Se já o tiver feito e o saco continuar sem selar, crie um segundo selo acima do primeiro.</li></ul>
Nada acontece quando a tampa está fechada e se prime o Botão Vácuo e Selar ou Selagem Instantânea.	<ul style="list-style-type: none"><li>• Certifique-se de que a tampa está completamente fechada com o trinco na posição fechada.</li></ul>
Se precisar de mais assistência:	<ul style="list-style-type: none"><li>• Visite <a href="http://www.foodsavereurope.com">www.foodsavereurope.com</a> e seleccione a sua região.</li></ul>



## Refeições pré-cozinhas, restos de refeições e sanduíches



Guarde eficazmente as suas refeições pré-cozinhas, restos de refeições e sanduíches nos recipientes leves e empilháveis FoodSaver™. Estes recipientes podem ir ao micro-ondas, podem ser

lavados na prateleira de cima da máquina da loiça e são fornecidos com um adaptador personalizado.

Estes recipientes leves estão sempre prontos para levar para o escritório, para a escola ou para o campo quando você quiser!

## Petiscos



Os seus petiscos mantêm a frescura durante mais tempo quando embalados a vácuo. Para obter os melhores resultados, utilize um recipiente FoodSaver™ para alimentos que podem ser esmagados, como as bolachas de água e sal, por exemplo.

## Garantia

Guarde este recibo, uma vez que ele será necessário caso hajam queixas durante o período de garantia.

Este equipamento tem garantia de 2 anos após a compra, tal como descrito neste documento.

Durante este período de garantia, no evento improvável do aparelho deixar de funcionar devido a um problema de design ou fabrico, devolva o produto ao local de compra, com o seu recibo de compra e uma cópia desta garantia.

Os direitos e benefícios ao abrigo desta garantia são adicionais aos seus direitos estatutários, os quais não são afetados por esta garantia. Apenas a Jarden Consumer Solutions (Europe) Limited ("JCS (Europe)") tem o direito de alterar estes termos.

A JCS (Europe) aceita, durante o período de garantia, reparar ou substituir o equipamento, ou qualquer parte do equipamento, que não esteja a funcionar adequadamente, livre de qualquer custo, desde que:

- notifique imediatamente o local de compra ou a JCS (Europe) do problema; e
- o equipamento não tenha sido alterado de qualquer forma, ou sujeito a danos, má utilização, abuso, reparação ou alteração por uma pessoa não autorizada pela JCS (Europe).

Os problemas que ocorram devido a má utilização, danos, abuso, utilização com voltagem incorreta, forças da natureza, eventos fora do controlo da JCS (Europe), reparação ou alteração por uma pessoa não autorizada pela JCS (Europe), ou falha de seguimento das instruções de utilização, não são abrangidos por esta garantia. Adicionalmente, a utilização e desgaste normal, incluindo, mas não se limitando a, descoloração mínima e riscos, não são abrangidos por esta garantia.

Os direitos ao abrigo desta garantia apenas se aplicam ao comprador original e não se estendem à utilização comercial ou comum.

Se o seu equipamento incluir uma garantia específica de país ou inserção de garantia, consulte os termos e condições de tal garantia em vez desta garantia, ou contacte o seu vendedor local autorizado para obter mais informação.

A eliminação de produtos elétricos não deve ser feita juntamente com o lixo doméstico. Recicle nas instalações corretas. Envie-nos um email para [enquiriesEurope@jardencs.com](mailto:enquiriesEurope@jardencs.com) para mais informação sobre reciclagem e REEE.

Jarden Consumer Solutions (Europe) Limited  
Edif. Vázquez Krasnow  
C/ Camino de la Zarzuela, 21  
1º - Oficina 1B  
28023 - Aravaca  
Madrid, España  
Tel: +34 90 2051506



## Precauzioni Importanti

Questa apparecchiatura può essere utilizzata da bambini di almeno 8 anni di età e da persone con ridotte capacità fisiche, sensoriali o mentali oppure con mancanza di esperienza e conoscenza, a condizione che siano supervisionate o siano state istruite relativamente all'utilizzo sicuro dell'apparecchiatura e comprendano i rischi che possono derivare da tale utilizzo. Non lasciare giocare i bambini con l'apparecchiatura. Le operazioni di pulizia e manutenzione non devono essere eseguite da bambini senza supervisione.

Al fine di evitare rischi, qualora il cavo di alimentazione fosse danneggiato, deve essere riparato dalla casa produttrice, da un tecnico autorizzato o da una persona con simili qualifiche.

- Utilizzare sempre l'apparecchio su una superficie stabile, sicura, asciutta e piana.
- **ATTENZIONE: LA SIGILLATRICE NON È DESTINATA ALL'USO COMMERCIALE.** Non utilizzare mai il presente apparecchio per fini diversi da quello della sua destinazione d'uso. Il presente apparecchio è destinato esclusivamente all'uso domestico. Non utilizzare l'apparecchio all'aperto.
- Non immergere mai l'apparecchio, il cavo di alimentazione e la spina in acqua o in altri liquidi.
- Non utilizzare l'apparecchio nel caso in cui sia stato fatto cadere o presenti segni visibili di danneggiamento.
- Verificare che l'apparecchio sia spento e scollegato dalla presa di alimentazione dopo l'uso e prima della pulizia.
- Per scollegare l'apparecchio, staccare il cavo di alimentazione dalla presa elettrica. Non tirare il cavo per scollegarlo.
- Non utilizzare prolunghe con l'apparecchio.
- Utilizzare esclusivamente accessori o connettori consigliati dalla casa produttrice.
- Quando si riscaldano alimenti nei sacchetti FoodSaver™, assicurarsi di collocarli nell'acqua

a una bassa temperatura di bollitura, inferiore a 75° C.

- **GLI ALIMENTI ALL'INTERNO DEL SACCHETTO POSSONO ESSERE SCONGELATI MA NON RISCALDATI IN UN FORNO A MICRO-ONDE.** In caso di scongelamento di alimenti nel micro-onde in sacchetti FoodSaver™, assicurarsi di non superare la potenza massima di 180 watt (impostazione per lo scongelamento), il tempo massimo di 2 minuti e la temperatura massima di 70° C.

### CONSERVARE QUESTE ISTRUZIONI

## Sistema di sigillatura sottovuoto FoodSaver™

### Perché confezionare sottovuoto?

L'esposizione all'aria provoca la perdita di sostanze nutritive e aromi degli alimenti, oltre a consentire la proliferazione di numerosi tipi di batteri, muffe e funghi. Il sistema di confezionamento sottovuoto FoodSaver™ rimuove l'aria e sigilla sapore e qualità. Grazie a una linea completa di sacchetti e contenitori FoodSaver™ per espandere le opzioni a disposizione, è ora possibile usufruire dei vantaggi offerti da un sistema di conservazione degli alimenti scientificamente testato che preserva la freschezza fino a cinque volte più a lungo.

### Il sistema FoodSaver™ fa risparmiare tempo e denaro

- Spendete meno. Con il sistema FoodSaver™, è possibile acquistare in grandi quantità oppure approfittare di offerte e confezionare sottovuoto gli alimenti nelle porzioni desiderate, senza sprechi.
- Risparmiate ancora più tempo. Cucinate in anticipo per la settimana, preparando i pasti e conservandoli nei sacchetti FoodSaver.
- Marinare in pochi minuti. Il confezionamento sottovuoto apre i pori degli alimenti in modo che sia possibile ottenere una marinatura dal sapore eccezionale in soli 20 minuti anziché tutta la notte.
- Intrattenete gli ospiti senza problemi. Preparate in anticipo le vostre specialità in modo da poter trascorrere tempo di qualità con i vostri ospiti.
- Assaporate alimenti di stagione o specialità. Conservate più a lungo la freschezza di alimenti altamente deperibili o di uso poco frequente.
- Controllate le porzioni per la dieta. Confezionate sottovuoto porzioni appropriate e scrivete le calorie e il contenuto di grassi sul sacchetto.
- Proteggete articoli non di tipo alimentare.

Conservate le attrezzature da campeggio e da barca all'asciutto e ben organizzate per le uscite. Proteggete l'argento lucidato dall'ossidazione riducendo al minimo l'esposizione all'aria.

## Accessori FoodSaver™

Ottenete il massimo dal vostro apparecchio FoodSaver™ con i sacchetti, contenitori e accessori FoodSaver™ facili da usare.

### Sacchetti e rotoli FoodSaver™

I sacchetti e rotoli FoodSaver™ sono provvisti di canali speciali che consentono un'efficiente rimozione dell'aria. La struttura multistrato li rende una barriera particolarmente efficace nei confronti di ossigeno e condensa e contribuisce a prevenire le cosiddette bruciature da freddo. I sacchetti e rotoli FoodSaver™ sono disponibili in un'ampia gamma di misure.

### Contenitori FoodSaver™

I contenitori FoodSaver™ sono semplici da usare e ideali per imballare sottovuoto alimenti deperibili come muffin e altri prodotti da forno, liquidi e ingredienti secchi.

### Sacchetti con chiusura a cerniera salvafreschezza FoodSaver™

I sacchetti con chiusura a cerniera FoodSaver™ presentano canali speciali che consentono di rimuovere efficacemente l'aria. La struttura multistrato li rende una barriera particolarmente efficace nei confronti di ossigeno e condensa.

### Contenitori salvafreschezza FoodSaver™

I contenitori salvafreschezza FoodSaver™ sono semplici da usare e ideali per imballare sottovuoto alimenti deperibili come muffin e altri prodotti da forno, liquidi e ingredienti secchi.

### Tappi per bottiglia FoodSaver™

Utilizzate i tappi per bottiglia FoodSaver™ per conservare sottovuoto vino, liquidi non gassati e olii. In questo modo si prolunga la durata del liquido preservandone il sapore. Non utilizzare i tappi con bottiglie di plastica.

### Marinatore rapido FoodSaver™

Il marinatore rapido aromatizza gli alimenti in pochi minuti, anziché in ore, utilizzando la potenza del sottovuoto per far penetrare a fondo la marinatura nei cibi.

## Ordinazioni

Per ordinare sacchetti, rotoli e accessori FoodSaver™, visitare il sito [www.foodsavereurope.com](http://www.foodsavereurope.com) e selezionare la regione di residenza.

## Componenti

Facendo riferimento alla Fig. 1:

- |   |  |
|---|--|
| <b>A</b> Guarnizione superiore                        | <b>I</b> Spia di accensione                |
| <b>B</b> Vaschetta di raccolta delle gocce rimovibile | <b>J</b> Spie di avanzamento               |
| <b>C</b> Chiusura coperchio                           | <b>K</b> Spia avanzamento sigillatura      |
| <b>D</b> Guarnizione inferiore                        | <b>L</b> Pulsante Solo sigillatura         |
| <b>E</b> Striscia di sigillatura                      | <b>M</b> Pulsante Sottovuoto e sigillatura |
| <b>F</b> Pannello di controllo                        | <b>N</b> Pulsante Alimenti umidi           |
| <b>G</b> Porta per accessori                          | <b>O</b> Spia di allarme surriscaldamento  |
| <b>H</b> Sigillatrice portatile                       |  |

## Preparazione di un sacchetto dal rotolo FoodSaver™

Avendo a disposizione un rotolo FoodSaver™, è possibile preparare sacchetti di misure personalizzate. Facendo riferimento alla Fig. 2:

1. Collegare il sigillatore sottovuoto a una presa dell'alimentazione di rete. Premere i due fermi (**C**) e aprire il coperchio. Collocare l'estremità aperta del rotolo sopra la striscia di sigillatura (**E**) in modo che l'estremità del rotolo sporga sul bordo anteriore della guarnizione inferiore. **Non lasciare che l'estremità del sacchetto entri nella vaschetta di raccolta delle gocce.**
2. Chiudere completamente il coperchio fino alla fuoriuscita dei fermi (**C**). Quando il coperchio è chiuso correttamente, una striscia verde appare intorno al fermo e la spia di accensione verde (**I**) si illumina.
3. Premere il pulsante Solo sigillatura (**L**) oppure il pulsante Sottovuoto e sigillatura (**M**).
4. Quando la spia avanzamento sigillatura rossa (**K**) si spegne, premere entrambi i fermi e rimuovere il rotolo. L'estremità del rotolo sarà ora sigillata.
5. Misurare la lunghezza necessaria per l'alimento da imballare. Aggiungere altri 75 mm per permettere la sigillatura del sacchetto, quindi tagliare il rotolo in linea retta.

## Utilizzo del sigillatore sottovuoto

Facendo riferimento alla Fig. 3:

1. Inserire l'alimento da imballare nel sacchetto. È possibile utilizzare un sacchetto FoodSaver™ già pronto oppure prepararne uno personalizzato da un rotolo FoodSaver™.
2. Collocare l'estremità aperta del sacchetto nella fessura della vaschetta di raccolta delle gocce (K).
3. Chiudere e bloccare il coperchio. Quando il coperchio è chiuso correttamente, una striscia verde appare intorno al fermo e la spia di accensione verde (I) si illumina.
4. Premere il pulsante Sottovuoto e sigillatura (M).
5. L'unità di confezionamento sottovuoto comincerà a eliminare l'aria dal sacchetto, per poi procedere alla sigillatura. Quando le spie di avanzamento (L) si fermano e la spia di avanzamento della sigillatura rossa (K) si spegne, la procedura è terminata.

### Imballaggio di alimenti umidi

Se si devono imballare alimenti umidi o particolarmente succosi, premere il pulsante Alimenti umidi (N) PRIMA di premere il pulsante Sottovuoto e sigillatura.

### Sigillatura di un sacchetto senza eliminare l'aria

Per sigillare un sacchetto senza estrarre l'aria contenuta al suo interno, premere il pulsante Solo sigillatura (L). È possibile sigillare i vari tipi di sacchetti utilizzati per confezionare spuntini come patatine fritte, tortilla ecc.

### Sigillatura di alimenti fragili

Durante la sigillatura, alcuni alimenti (paste sfoglie, pane, biscotti ecc.) possono sbriciolarsi. Per evitare che questo accada, utilizzare il pulsante Solo sigillatura (L) come segue:

1. Eseguire i passaggi 1, 2 e 3 relativi all'utilizzo del sigillatore sottovuoto.
2. Premere il pulsante Solo sigillatura (L) prima che gli alimenti si sbriciolino. Così facendo si eviterà immediatamente l'estrazione di ulteriore aria; procedere quindi alla sigillatura del sacchetto.

### Utilizzo di accessori FoodSaver™

Per sigillare sottovuoto un sacchetto con chiusura a cerniera salvafreschezza oppure un contenitore salvafreschezza:

1. Inserire l'estremità del connettore della sigillatrice portatile (H) nella porta per accessorio (G) dell'apparecchio FoodSaver™.
2. Inserire l'estremità della sigillatrice portatile sopra la valvola dell'accessorio e assicurarsi che sia ben fissata. Attenersi a eventuali istruzioni specifiche fornite insieme all'accessorio FoodSaver™.

Nota: Per sigillare sottovuoto un contenitore FoodSaver, rimuovere il serbatoio (sezione inferiore trasparente) della sigillatrice estraendolo dalla sezione superiore. Inserire l'estremità della sigillatrice nella porta del contenitore.

3. Premere il pulsante Sottovuoto e sigillatura (M).
4. L'unità di confezionamento sottovuoto comincerà a eliminare l'aria dal sacchetto, per poi procedere alla sigillatura. Quando le spie di avanzamento (L) si fermano e la spia di avanzamento della sigillatura rossa (K) si spegne, la procedura è terminata.

## Manutenzione e pulizia

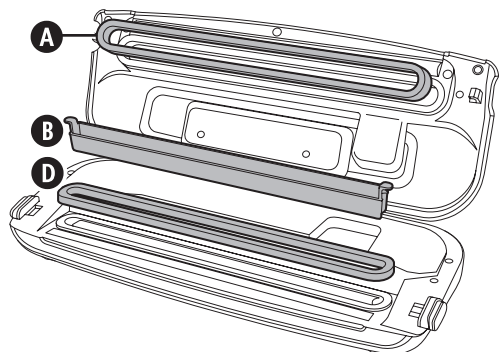
**Non immergere mai l'unità, il cavo di alimentazione e la spina in acqua o in altri liquidi. Scollegare sempre l'unità dall'alimentazione prima della pulizia.**

Pulire il corpo dell'apparecchio con un panno morbido e asciutto.

Rimuovere e svuotare la vaschetta di raccolta delle gocce (F) dopo ciascun utilizzo. Lavarla in acqua saponata tiepida o collocarla nel ripiano superiore della lavastoviglie. Asciugare accuratamente prima di reinserire la vaschetta.

Controllare la guarnizione superiore (A) e inferiore (D), nonché l'area intorno alla vaschetta di raccolta delle gocce per verificare che non siano presenti residui di alimenti. All'occorrenza pulire le guarnizioni con un panno imbevuto di acqua saponata tiepida.

Le guarnizioni possono essere rimosse per eseguire la pulizia. Pulire le guarnizioni con acqua saponata tiepida. Asciugare accuratamente, quindi reinserire adottando la debita cautela.

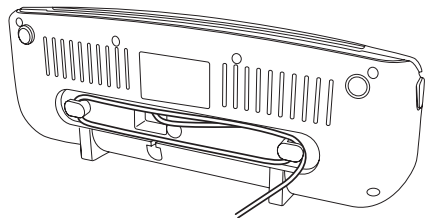


Togliere il serbatoio della sigillatrice portatile dopo ciascun utilizzo. Lavare in acqua saponata tiepida e far asciugare completamente prima di reinserire.

Per garantire un funzionamento efficiente dell'apparecchio FoodSaver™, si consiglia di sostituire le guarnizioni ogni anno. Per ordinare i pezzi di ricambio, visitare il sito [www.foodsavereurope.com](http://www.foodsavereurope.com).

## Conservazione

1. Chiudere il coperchio e spostare il fermo **H** nella posizione di conservazione (H). Questa procedura è sufficiente per fissare il coperchio evitando però di comprimere le guarnizioni (cosa che potrebbe provocare il funzionamento difettoso dell'unità).
2. Sollevare la parte anteriore dell'apparecchio e appoggiarla sugli appositi piedini in posizione verticale.



## Guida alla conservazione, suggerimenti e consigli

### Confezionamento sottovuoto e sicurezza degli alimenti

Il confezionamento sottovuoto prolunga la durata degli alimenti rimuovendo la maggior parte dell'aria dal contenitore sigillato, riducendo così l'ossidazione, fenomeno che incide su valore nutrizionale, sapore e qualità complessiva. La rimozione dell'aria inibisce inoltre la proliferazione di microorganismi, che possono essere causa di problemi in determinate condizioni:

Per conservare gli alimenti in modo sicuro, è fondamentale mantenere bassa la temperatura. È possibile ridurre sensibilmente la proliferazione di microorganismi a temperature di 4° C o inferiori.

Il congelamento a -17° C non uccide i microorganismi ma ne blocca la proliferazione. Per la conservazione a lungo termine, congelare sempre gli alimenti deperibili precedentemente confezionati sottovuoto e conservarli in frigorifero dopo lo scongelamento.

È importante tenere presente che il confezionamento sottovuoto NON sostituisce l'inscatolamento e non può invertire il processo di deterioramento degli alimenti. Può soltanto rallentare le variazioni a livello qualitativo. È difficile prevedere per quanto tempo gli alimenti manterranno un'elevata qualità di sapore, aspetto o consistenza, in quanto ciò dipende dall'età e dalle condizioni dei cibi il giorno in cui è avvenuto il confezionamento sottovuoto.

Importante: il confezionamento sottovuoto NON sostituisce la refrigerazione o il congelamento. Qualsiasi alimento deperibile che richiede la refrigerazione deve comunque essere refrigerato o congelato dopo il confezionamento sottovuoto. Onde evitare possibili malattie, non riutilizzare i sacchetti dopo la conservazione di carne cruda, pesce crudo o alimenti grassi. Non riutilizzare sacchetti introdotti nel micro-onde o fatti bollire.

### Scongelamento e riscaldamento di alimenti confezionati sottovuoto



Scongelare sempre gli alimenti in frigorifero o in un forno a micro-onde; non scongelare cibi deperibili a temperatura ambiente.

Gli alimenti all'interno del sacchetto possono essere scongelati ma non riscaldati in un forno a micro-onde. In caso di scongelamento di alimenti nel micro-onde in sacchetti FoodSaver™, assicurarsi di non superare la potenza massima di 180 watt (impostazione per lo scongelamento), il tempo massimo di 2 minuti e la temperatura massima di 70° C. È inoltre possibile riscaldare gli alimenti in sacchetti FoodSaver™ collocandoli in acqua a una temperatura inferiore a 75° C. Attenersi a eventuali istruzioni specifiche fornite insieme i sacchetti FoodSaver™.

# Linee guida per la preparazione

## Carne e pesce



Per ottenere risultati ottimali, precongelerare carne e pesce per 1-2 ore prima della sigillatura sottovuoto in un sacchetto FoodSaver™. In questo modo si conservano liquido e forma, garantendo una migliore sigillatura. Qualora non fosse possibile precongelerare, collocare un panno di carta ripiegato fra la carne o il pesce e la parte superiore del sacchetto, al di sotto dell'area di sigillatura.

Lasciare un panno di carta nel sacchetto per assorbire l'umidità e i liquidi in eccesso durante il processo di sigillatura sottovuoto.

Nota: A causa dell'eliminazione dell'ossigeno, dopo la sigillatura sottovuoto il manzo potrebbe assumere un colore più scuro. Questo fenomeno non è un'indicazione di deperimento.

## Formaggi duri



Per preservare la freschezza del formaggio, sigillarlo sottovuoto dopo ciascun utilizzo. Realizzare un sacchetto FoodSaver™ particolarmente lungo, lasciando 25 mm di materiale per ogni volta che si prevede di aprire e risigillare, in aggiunta allo spazio di 75 mm che si lascia normalmente fra contenuto e sigillatura.

Tagliare semplicemente il lato sigillato ed estrarre il formaggio. Quando si è pronti per risigillare il formaggio, basta introdurlo nel sacchetto e risigillare.

Importante: a causa del rischio di batteri anaerobici, i formaggi molli non devono mai essere sigillati sottovuoto.

## Verdure



Le verdure devono essere scottate prima della sigillatura sottovuoto. Questo procedimento blocca l'azione degli enzimi che potrebbe portare a perdita di sapore, colore e consistenza.

Per scottare le verdure, metterle nell'acqua bollente o nel micro-onde fino a quando sono cotte ma ancora croccanti. I tempi di scottatura vanno da 1 a 2 minuti per le verdure a foglia verde e i piselli; da 3 a 4 minuti per i piselli dolci, le zucchine affettate o i broccoli; 5 minuti per le carote e da 7 a 11 minuti per le pannocchie di granturco. Dopo la scottatura, immergere le verdure in acqua fredda per arrestare la cottura. Da ultimo, asciugare la verdura con uno strofinaccio prima di sigillare sottovuoto.

Nota: alcuni tipi di frutta e verdura (come broccoli, cavolini di Bruxelles, cavolo, cavolfiore, cavolo nero, rape e banane) rilasciano naturalmente dei gas durante la conservazione. Pertanto, dopo la scottatura, devono essere conservati esclusivamente nel freezer.

Quando si congelano le verdure, è meglio precongelerle prima per 1-2 ore o fino a quando sono ben solide. Per congelare le verdure in singole porzioni, metterle prima in una teglia da forno e distribuirle in modo che non si tocchino fra loro. In questo modo si evita che si congelino tutti insieme in un unico blocco. Una volta surgelate, toglierle dalla teglia da forno e sigillarle sottovuoto in un sacchetto FoodSaver™. Dopo la sigillatura sottovuoto, rimettere in freezer.

Importante: a causa del rischio di batteri anaerobici, funghi freschi, cipolle e aglio non devono mai essere sigillati sottovuoto.

## Verdure a foglia



Per ottenere risultati ottimali, utilizzare un contenitore per conservare le verdure a foglia. Per prima cosa lavare le verdure, quindi asciugare con uno strofinaccio o una centrifuga per insalata. Quando le verdure sono asciutte, metterle in un contenitore e sigillare a vuoto come di consueto. Conservare in frigorifero.

## Frutta



Quando si congela frutta morbida o frutti di bosco, è meglio precongelerli prima per 1-2 ore o fino a quando sono ben solidi. Per congelare la frutta in singole porzioni, mettere prima in una teglia da forno e distribuire in modo che i frutti non si tocchino fra loro. In questo modo si evita che si congelino tutti insieme in un unico blocco. Una volta surgelati, toglierli dalla teglia da forno e sigillare sottovuoto in un sacchetto FoodSaver™.

Dopo la sigillatura sottovuoto, rimettere in freezer. È possibile sigillare sottovuoto porzioni da cuocere in forno, oppure unire nelle combinazioni preferite per preparare facilmente macedonie tutto l'anno. Per conservare in frigorifero, si consiglia di utilizzare un contenitore FoodSaver™.

## Prodotti da forno




Per sigillare sottovuoto prodotti da forno morbidi o con una consistenza ariosa, si consiglia di utilizzare un contenitore FoodSaver™ in modo tale che non perdano la forma originaria. Se si utilizza un sacchetto, precongelerare per 1-2 ore o fino a ottenere una consistenza solida. Per risparmiare tempo, preparare l'impasto per biscotti, i gusci per torte, le torte intere o miscelare gli ingredienti secchi in anticipo e sigillare sottovuoto per riutilizzare in seguito.

## Caffè e alimenti in polvere



Per evitare che particelle di cibo vengano risucchiate nella pompa del sottovuoto, collocare un filtro per il caffè o un pezzo di carta assorbente in cima al sacchetto, o al contenitore, prima del confezionamento sottovuoto. È inoltre possibile collocare l'alimento nel sacchetto originale all'interno di un sacchetto FoodSaver™, oppure utilizzare un coperchio universale FoodSaver™ con il contenitore originale per sigillare sottovuoto.

## Risoluzione dei problemi

Problema	Soluzione
La spia di allarme surriscaldamento  si accende.	<ul style="list-style-type: none"><li>• In condizioni di intenso utilizzo, questo avviene al fine di impedire il surriscaldamento. Nel caso in cui ciò dovesse accadere, attendere 20 minuti che l'apparecchio si raffreddi. Durante l'utilizzo, attendere almeno 20 secondi prima di iniziare a imballare sottovuoto un altro alimento.</li></ul>
La pompa funziona per più di 2 minuti senza che l'aria venga eliminata.	<ul style="list-style-type: none"><li>• Verificare che l'estremità aperta del sacchetto sia inserita nella vaschetta di raccolta delle gocce nell'area della guarnizione inferiore.</li><li>• Controllare che entrambe le guarnizioni siano ben fissate e non presentino segni di danneggiamento.</li><li>• Controllare che almeno un'estremità del sacchetto sia sigillata.</li><li>• Aprire l'unità e controllare che non siano presenti oggetti estranei, impurità o residui nella guarnizione superiore o inferiore.</li><li>• Verificare che vi sia spazio sufficiente nella parte superiore del sacchetto (75 mm) in modo che quest'ultimo possa entrare nella vaschetta di raccolta delle gocce con il coperchio chiuso.</li><li>• Verificare che la sigillatrice portatile non sia collegata.</li><li>• Verificare che il coperchio sia perfettamente chiuso e che il fermo sia in posizione di chiusura.</li></ul>
Il sacchetto non viene sigillato correttamente.	<ul style="list-style-type: none"><li>• Il sacchetto presenta umidità o grasso nel punto di sigillatura. Pulire l'eccesso di umidità con un panno di carta asciutto e pulito.</li><li>• Nel sacchetto è presente una quantità eccessiva di liquido. Congelare il contenuto del sacchetto prima del sottovuoto.</li><li>• Sulla linea di sigillatura è presente una piega. Stendere delicatamente il sacchetto inserendolo nel contempo nella vaschetta di raccolta delle gocce, quindi continuare a tenere il sacchetto fino all'avvio della pompa a vuoto. Se questa operazione è già stata eseguita e risulta tuttora impossibile sigillare il sacchetto, creare una seconda sigillatura sopra la prima.</li></ul>
Quando il coperchio è chiuso e si preme il pulsante Sottovuoto e sigillatura oppure Sigillatura istantanea, non succede niente.	<ul style="list-style-type: none"><li>• Verificare che il coperchio sia perfettamente chiuso e che il fermo sia in posizione di chiusura.</li></ul>
Nel caso in cui si renda necessaria ulteriore assistenza:	<ul style="list-style-type: none"><li>• Visitare il sito <a href="http://www.foodsavereurope.com">www.foodsavereurope.com</a> e selezionare la propria regione.</li></ul>

## Liquidi



Prima di sigillare sottovuoto liquidi come il brodo, precongellare in una casseruola, uno stampo per plumcake o un vassoio per cubetti di ghiaccio fino a ottenere una consistenza solida. Rimuovere il liquido congelato dal contenitore e sigillare sottovuoto in un sacchetto FoodSaver™. I "blocchetti" possono essere impilati nel freezer.

Quando si è pronti per utilizzare il prodotto congelato, tagliare un angolo di sacchetto e collocare in un piatto nel micro-onde o immergere nell'acqua e bollire leggermente a 75° C.

Per sigillare sottovuoto liquidi in bottiglia non gassati, è possibile utilizzare un tappo FoodSaver™ con il contenitore originale. Ricordarsi di lasciare almeno 25 mm di spazio fra il contenuto e la parte inferiore del tappo. Dopo ciascun uso è possibile risigillare le bottiglie.

## Pasti preparati in anticipo, avanzi e sandwich



Conservare efficientemente pasti preparati in anticipo, avanzi e sandwich nei contenitori FoodSaver™, leggeri e impilabili. I contenitori sono utilizzabili nel micro-onde, lavabili in lavastoviglie (nel ripiano superiore) e dotati di adattatore personalizzato.

I contenitori, molto leggeri, saranno pronti per l'ufficio, la scuola o le gite all'aperto!

## Alimenti per spuntini



Grazie alla sigillatura sottovuoto, gli alimenti per spuntini manterranno più a lungo la freschezza. Per ottenere risultati ottimali, utilizzare un contenitore FoodSaver™ per alimenti sbriciolabili come i cracker.

## Garanzia

Conservare lo scontrino d'acquisto poiché esso sarà necessario per qualsiasi reclamo esposto in base alle condizioni di questo certificato di garanzia.

Questo prodotto è garantito per 2 anni dall'acquisto, secondo le modalità descritte nel presente documento.

Durante il decorso della garanzia, nell'improbabile eventualità che l'apparecchiatura si guasti a causa di un problema tecnico o di fabbricazione, riportarla al punto d'acquisto insieme allo scontrino fiscale e ad una copia di questo certificato di garanzia.

I diritti spettanti all'acquirente in base alle condizioni di questo certificato di garanzia sono in aggiunta a quelli previsti dalla legge che non risultano alterati dalle condizioni di questo certificato. Solo Jarden Consumer Solutions (Europe) Ltd. ("JCS (Europe)") ha l'autorità di modificare queste condizioni.

JCS (Europe) si impegna a riparare o a sostituire gratuitamente nell'arco del periodo di garanzia qualsiasi parte dell'apparecchiatura dovesse risultare difettosa, a condizione che:

- Si segnali tempestivamente il problema al punto d'acquisto o a JCS (Europe); e
- l'apparecchiatura non sia stata modificata in alcun modo né soggetta a danni, uso improprio o abuso, a riparazione o alterazione per opera di un tecnico non autorizzato da JCS (Europe).

I guasti intervenuti durante l'uso normale, per uso improprio, danno, abuso, tensione incorretta, cause naturali, eventi non determinati da JCS (Europe), riparazione o alterazione per opera di un tecnico non autorizzato da JCS (Europe) o la mancata ottemperanza alle istruzioni d'uso sono esclusi dalla presente garanzia. Inoltre, l'uso normale compreso, a titolo di esempio, una lieve alterazione del colore (sbiadimento) e i graffi, non sono coperti dalla presente garanzia.

I diritti spettante all'utente ai sensi della presente garanzia si applicano unicamente all'acquirente originale e non si estendono all'uso commerciale o comunitario.

Se l'apparecchiatura è fornita con un accordo specifico per il paese o una cartolina di garanzia, consultare le condizioni di tale accordo, che prevalgono su quelle esposte in questa sede oppure rivolgersi a un rivenditore autorizzato per ulteriori informazioni.

I prodotti elettrici vanno smaltiti separatamente dai rifiuti domestici. Consegnarli ad un centro di riciclaggio, se disponibile. Scrivere a [enquiriesEurope@jardencs.com](mailto:enquiriesEurope@jardencs.com) per istruzioni sul riciclaggio e informazioni sulla direttiva RAEE.

Jarden Consumer Solutions (Europe) Limited  
5400 Lakeside  
Cheadle Royal Business Park  
Cheadle  
SK8 3GQ  
United Kingdom





## Belangrijke veiligheidsvoorschriften

Dit apparaat kan worden gebruikt door kinderen van 8 jaar en ouder en personen met beperkt fysiek, zintuiglijk of mentaal vermogen, of een gebrek aan ervaring en kennis, indien zij voldoende begeleiding of instructies hebben ontvangen over het veilige gebruik van het apparaat en zij de eventuele gevaren ervan begrijpen. Laat kinderen niet met dit apparaat spelen. Reiniging of onderhoud door kinderen mag uitsluitend onder begeleiding worden uitgevoerd.

Indien het stroomsnoer is beschadigd, dient dit door de fabrikant, zijn onderhoudsbedrijf of gelijksoortige erkende personen te worden vervangen om gevaren te voorkomen.

- Zorg altijd dat het apparaat op een stabiele, stevige, droge en platte ondergrond staat.
- **VOORZICHTIG: DIT APPARAAT IS NIET GESCHIKT VOOR COMMERCIEEL GEBRUIK.** Gebruik dit apparaat niet voor een ander doel dan het bestemde doel. Dit apparaat is uitsluitend bestemd voor huishoudelijk gebruik. Het is niet geschikt voor gebruik buiten.
- Dompel het apparaat, het stroomsnoer en de stekker nooit onder in water of een andere vloeistof.
- Gebruik het apparaat niet als het is gevallen of zichtbare beschadiging vertoont.
- Controleer na gebruik, alvorens het apparaat te reinigen, altijd of het apparaat is uitgeschakeld en de stekker uit het stopcontact is verwijderd.
- Schakel het apparaat uit door de stekker uit het stopcontact te verwijderen. Trek niet aan het stroomsnoer om de stekker te verwijderen.
- Gebruik geen verlengsnoer met het apparaat.
- Gebruik uitsluitend accessoires of hulpstukken die door de fabrikant zijn aanbevolen.
- Voedsel in FoodSaver™-zakken kan worden opgewarmd in zacht kokend water met een temperatuur van maximaal 75°C.

- IN EEN MAGNETRON KAN VOEDSEL IN DE ZAK WEL WORDEN ONTDOOID, MAAR NIET WORDEN OPGEWARMD. Bij het ontdooien van voedsel in FoodSaver™-zakken in de magnetron mag een maximaal vermogen van 180 watt (stand voor ontdooien) worden gebruikt gedurende maximaal twee minuten en bij een maximumtemperatuur van 70°C.

### BEWAAR DEZE INSTRUCTIES

## FoodSaver™-vacumeersysteem

### Waarom vacuüm verpakken?

Voedsel verliest voedingsstoffen en smaak wanneer het wordt blootgesteld aan lucht. Bovendien is dit een perfecte groeibodem voor veel soorten bacteriën, schimmels en gist. Met het FoodSaver™-vacumeersysteem wordt het voedsel vacuüm verpakt, zodat smaak en kwaliteit behouden blijven. FoodSaver™ biedt een uitgebreid assortiment zakken, bussen en dozen, zodat u kunt genieten van alle voordelen van een wetenschappelijk bewezen bewaarmethode die uw voedsel tot vijfmaal langer vers houdt.

### Het FoodSaver™-systeem bespaart tijd en geld

- Bespaar geld. Dankzij het FoodSaver™-systeem kunt u nu in het groot inkopen of voordeel halen uit producten in de aanbieding. U kunt alles dan in de gewenste porties vacuüm verpakken, zodat u niets hoeft weg te gooien.
- Bespaar tijd. Kook al uw maaltijden voor de hele week en bewaar ze veilig in FoodSaver™-zakken.
- Marineer in enkele minuten. Tijdens het vacuüm verpakken worden de poriën van het voedsel geopend. Zo krijgt u die verrukkelijke 'gemarineerde' smaak in slechts 20 minuten in plaats van een hele dag of nacht.
- Gezellige etentjes zonder moeite. Bereid uw favoriete gerechten van tevoren, zodat u tijd kunt doorbrengen met uw gasten.
- Geniet volop van seizoensvoeding en specialiteiten. Houd bederfelijke etenswaren of producten die u niet vaak gebruikt langer vers.
- Op dieet? Verdeel uw eten in porties. Verpak de gewenste porties vacuüm en noteer op de zak hoeveel calorieën en vet de inhoud bevat.
- Verpak niet-etenswaren. Houd voorraden voor kampeer- of boottochten droog en organiseer alles netjes. Houd uw gepoetste zilver schoon door minimale blootstelling aan de lucht.

## FoodSaver™-accessoires

Haal het maximale uit uw FoodSaver™-apparaat met de handige FoodSaver™-zakken, -bussen en -accessoires.

### FoodSaver™-zakken en -rollen

FoodSaver™-zakken en -rollen hebben speciale kanalen waardoor de lucht efficiënt kan worden afgezogen. De folie bestaat uit meerdere lagen, zodat de zak uitstekende bescherming biedt tegen zuurstof en vocht en waarmee vriesbrand wordt vermeden. Er zijn verschillende maten FoodSaver™-zakken en -rollen verkrijgbaar.

### FoodSaver™-bussen

FoodSaver™-bussen zijn makkelijk in gebruik en zijn perfect om broze producten zoals muffins en anders bakproducten, vloeistoffen en droge voedingswaren vacuüm te verpakken.

### FoodSaver™-vershoudzakken met zipper

FoodSaver™-vershoudzakken met zipper hebben speciale kanalen waardoor de lucht efficiënt kan worden afgezogen. De folie bestaat uit meerdere lagen die een effectieve barrière tegen zuurstof en vocht vormen.

### FoodSaver™-vershouddozen

De FoodSaver™-vershouddozen zijn makkelijk in gebruik en zijn perfect om broze producten zoals muffins en anders bakproducten, vloeistoffen en droge voedingswaren vacuüm te verpakken.

### FoodSaver™-flesafsluiter

Houd wijn, niet-koolzuurhoudende dranken en olie langer vers met FoodSaver™-flesafsluiters. Hiermee blijven vloeistoffen langer goed en blijft de smaak beter behouden. De flesafsluiters zijn niet geschikt voor gebruik met plastic flessen.

### FoodSaver™ Quick Marinator

In plaats van uw gerecht vele uren te moeten marinieren, gebruikt de Quick Marinator vacuümkracht om de marinade in enkele minuten volledig te laten intrekken.

### Bestellen

Ga naar [www.foodsavereurope.com](http://www.foodsavereurope.com) en kies uw land om FoodSaver™-zakken, -rollen en -accessoires te bestellen.

## Onderdelen

Raadpleeg figuur 1:

- |                                       |   |
|---------------------------------------|---|
| <b>A</b> Afdichting boven             | <b>I</b> Aan/uit-lampje                         |
| <b>B</b> Uitneembaar lekbakje         | <b>J</b> Werkingslampjes                        |
| <b>C</b> Dekselvergrendeling          | <b>K</b> Controlelampje voor sealen             |
| <b>D</b> Afdichting onder             | <b>L</b> Knop Alleen sealen                     |
| <b>E</b> Sealstrip                    | <b>M</b> Knop Vacuüm en sealen                  |
| <b>F</b> Bedieningspaneel             | <b>N</b> Knop Vochtige voeding                  |
| <b>G</b> Aansluiting voor accessoires | <b>O</b> Waarschuwingslampje bij oververhitting |
| <b>H</b> Handsealapparaat             |   |

## Zakken maken met een FoodSaver™-rol

Met een FoodSaver™-rol kunt u snel zakken op maat maken. Raadpleeg figuur 2:

- Sluit uw vacuümsealer aan op een stopcontact. Druk de beide vergrendelingsknoppen **C** in en open het deksel. Plaats het open uiteinde van de rol over de sealstrip **E** zodat het uiteinde van de rol tegen de voorrand van de onderste afdichting ligt. **Zorg dat het uiteinde van de zak niet in het lekbakje komt.**
- Sluit het deksel nu volledig totdat de vergrendelingen **C** naar buiten springen. Als het deksel goed is gesloten, is er een groene rand zichtbaar om de vergrendelingsknop en gaat het groene aan/uit-lampje **I** branden.
- Druk op de knop Alleen sealen **L** of op de knop Vacuüm en sealen **M**.
- Wanneer het rode controlelampje voor sealen **K** uitgaat, drukt u beide vergrendelingsknoppen in en verwijdt u de rol. Het uiteinde van de rol is nu geseald.
- Meet de gewenste lengte van hetgeen u wilt verpakken. Voeg hier een extra 75 mm aan toe voor de sealrand van de zak en snij de rol af op maat.

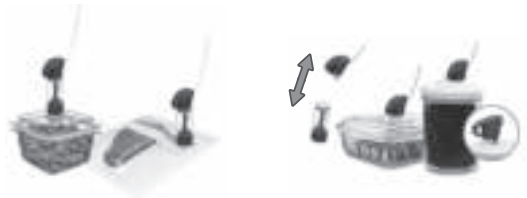
## Uw vacuümsealer gebruiken

Raadpleeg figuur 3:

- Leg hetgeen u wilt verpakken in de zak. U kunt een kant-en-klare FoodSaver™-zak gebruiken of u kunt een FoodSaver™-rol gebruiken om een zak op maat te maken.

2. Plaats het open uiteinde van de zak in de sleuf van het lekbakje **B**.
3. Sluit en vergrendel het deksel. Als het deksel goed is gesloten, is er een groene rand zichtbaar om de vergrendelingsknop en gaat het groene aan/uit-lampje **L** branden.
4. Druk op de knop Vacuüm en sealen **M**.
5. Uw vacuümsealer verwijdert nu de lucht uit de zak en zal deze vervolgens sealen. Als de werkingslampjes **J** en het rode controlelampje voor sealen **K** uitgaan, is het proces voltooid.

3. Druk op de knop Vacuüm en sealen **M**.
4. Uw vacuümsealer verwijdert nu de lucht uit de zak en zal deze vervolgens sealen. Als de werkingslampjes **J** en het rode controlelampje voor sealen **K** uitgaan, is het proces voltooid.



### Vochtige voeding verpakken

Als u voedsel verpakt dat vochtig of erg sappig is, drukt u de knop Vochtige voeding **N** in VOORDAT u de knop Vacuüm en sealen indrukt.

### Een zak sealen zonder lucht te verwijderen

Druk op de knop Alleen sealen om een zak te sealen zonder de lucht te verwijderen. U kunt zakken sealen van het type dat wordt gebruikt voor snacks zoals chips, tortilla chips, enz.

### Delicate eetwaren sealen

Sommige eetwaren, zoals pasteitjes, brood, koekjes, enz. kunnen worden geplet tijdens het sealen. U kunt dit als volgt voorkomen met gebruik van de knop Alleen sealen **L**:

1. Volg stap 1, 2 en 3 van 'Uw vacuümsealer gebruiken'.
2. Druk de knop Alleen sealen **L** in voordat de items worden geplet. Het apparaat stopt dan onmiddellijk met het verwijderen van lucht en de zak wordt geseald.

### FoodSaver™-accessoires gebruiken

Een vershoudzak met zipper of vershouddoos vacuüm sealen.

1. Steek de aansluiting van het handsealapparaat **H** in de accessoire-aansluiting **G** op het FoodSaver™-apparaat.
2. Sluit het uiteinde van de handsealer aan op het ventiel van het accessoire en controleer of het stevig is aangesloten. Volg de specifieke instructies die bij het FoodSaver™-accessoire zijn geleverd.

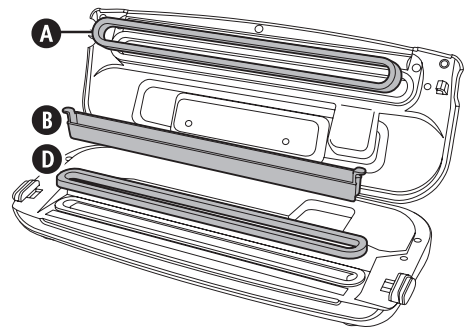
Opmerking: Als u een FoodSaver™-bus vacuüm wilt sealen, verwijdert u het reservoir (doorzichtige onderste deel) van de sealer door dit naar beneden te trekken en van het bovenste deel af te nemen. Steek het uiteinde van de sealer in de aansluiting op de bus.

## Onderhoud en reiniging

**Dompel het apparaat, het stroomsnoer en de stekker nooit onder in water of een andere vloeistof. Neem altijd de stekker uit het stopcontact voordat het apparaat wordt gereinigd.**

Neem de behuizing van het apparaat af met een zachte, droge doek.

Verwijder en leeg het lekbakje **B** na ieder gebruik. Was dit af in warm water met afwasmiddel of in een vaatwasmachine (bovenste rek). Droog het bakje goed voordat u dit weer in het apparaat aanbrengt. Controleer of de bovenste afdichting **A**, onderste afdichting **D** en het gebied om het lekbakje vrij zijn van voedselresten. Neem de afdichtingen zo nodig af met een doekje met warm water en afwasmiddel.



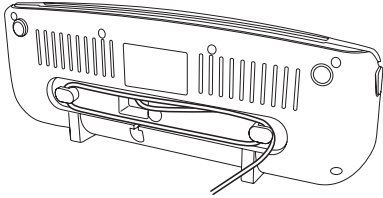
Verwijder het reservoir van de handsealer na elk gebruik. Reinig dit in warm water met afwasmiddel en droog het goed voordat het reservoir weer wordt aangebracht.

U wordt aanbevolen de afdichtingen jaarlijks te vervangen om te zorgen dat uw FoodSaver™-apparaat altijd efficiënt werkt. De vervangingen kunt u bestellen via [www.foodsavereurope.com](http://www.foodsavereurope.com).

## Opbergen

Sluit het deksel tot de eerste klik van de vergrendelingen, zodat de knoppen nog niet naar buiten zijn gesprongen en de groene rand nog niet zichtbaar is. Dit is voldoende om het deksel te vergrendelen, maar voorkomt dat de afdichtingen worden samengedrukt (dit kan de juiste werking van het apparaat beïnvloeden).

Wikkelt het snoer om de noppen aan de onderkant van het apparaat. Het apparaat kan rechtopstaand worden opgeborgen, zoals getoond.



## Hints en tips voor het bewaren van voedsel

### Vacuüm verpakken en voedselveiligheid

Door voedingswaren vacuüm te verpakken wordt de meeste lucht uit de gesealde verpakking verwijderd. Dit verlengt de levensduur van het voedsel doordat oxidatie wordt verminderd. Oxidatie heeft een negatief effect op de voedingswaarde, smaak en kwaliteit van het voedsel. Het verwijderen van lucht remt tevens de groei van micro-organismen, die onder bepaalde condities problemen kunnen veroorzaken:

Voor voedselveiligheid is het essentieel dat voedsel bij lage temperaturen worden bewaard. De groei van micro-organismen kan aanzienlijk worden geremd bij temperaturen van 4°C of lager.

Invriezen op -17°C doodt de micro-organismen niet, maar stopt hun groei. Voor langdurig bewaren moeten bederfelijke etenswaren die vacuüm zijn verpakt, altijd worden ingevroren. Na het ontdooien moeten ze in de koelkast worden bewaard.

Het is belangrijk te weten dat vacuüm verpakken GEEN vervanging is voor inblikken en dat hiermee voedselbederf niet kan worden omgekeerd. Deze manier van verpakken heeft uitsluitend een vertragende werking op de kwaliteitsverandering. Het is moeilijk te voorspellen hoe lang voedingswaren qua smaak, uiterlijk of textuur hun topkwaliteit behouden, aangezien dit afhankelijk is van hoe oud ze zijn en wat hun conditie was op de dag dat ze vacuüm werden verpakt.

Belangrijk: Vacuüm verpakken is GEEN vervanging voor koelen of invriezen. Bederfelijke etenswaren die in de koelkast moeten worden bewaard, moeten ook worden gekoeld of ingevroren als ze vacuüm zijn verpakt. Om ziekte te voorkomen, mogen zakken waarin rauw vlees, rauwe vis of vette etenswaren zijn bewaard niet opnieuw worden gebruikt. Ook zakken met inhoud die in de magnetron of in kokend water is opgewarmd mogen niet opnieuw worden gebruikt.

## Vacuüm verpakte voedingswaren ontdooien en opnieuw opwarmen



Ontdooi voedingswaren altijd in een koelkast of magnetron en ontdooi bederfelijke etenswaren nooit op kamertemperatuur.

In een magnetron kan voedsel in de zak wel worden ontdooit, maar niet worden opgewarmd. Bij het ontdooien van voedsel in FoodSaver™-zakken in de magnetron mag een maximaal vermogen van 180 watt (stand voor ontdooien) worden gebruikt gedurende maximaal twee minuten en bij een maximumtemperatuur van 70°C. Voedsel in FoodSaver™-zakken kan ook worden opgewarmd door de zak in zacht kokend water te leggen (maximaal 75°C). Volg de specifieke instructies die bij het FoodSaver™-zakken zijn geleverd.

## Richtlijnen voor gebruik

### Vlees en vis



Voor de beste resultaten vriest u vlees en vis gedurende 1 tot 2 uur in voordat u ze vacuüm sealt in een FoodSaver-zak. Zo blijven het vocht en de vorm beter bewaard en wordt de zak beter geseald. Als u het vlees of de vis niet van tevoren kunt invriezen, legt u een stuk gevouwen keukenpapier tussen het vlees of de vis en de bovenkant van de zak, maar onder de sealrand.

Laat het papier in de zak om overmatig vocht te absorberen tijdens het vacumeren en sealen.

Opmerking: Door het verwijderen van zuurstof kan rundvlees donkerder van kleur worden nadat dit vacuüm is verpakt. Dit is normaal en betekent niet dat het vlees is bedorven.

## Harde kaas



Houd kaas vers door deze na ieder gebruik opnieuw vacuüm te verpakken. Maak de FoodSaver™-zak extra lang: 25 mm folie extra voor elke keer dat u van plan bent de zak te openen en opnieuw te sealen, naast de 75 mm extra die u gewoonlijk vrij laat tussen de inhoud en de sealrand.

Knip de sealrand open en neem de kaas uit de zak. Als u klaar bent, doet u de kaas weer in de zak en sealt u deze opnieuw.

Belangrijk: Door het risico voor anaerobe bacteriën mogen zachte kazen niet vacuüm worden verpakt.

## Groenten



Groenten moeten worden geblancheerd (ofwel voorgekookt) voordat ze vacuüm worden geseald. Zo worden ongewenste enzymen verwijderd die tot verlies van smaak, kleur en textuur kunnen leiden.

Verse groenten worden geblancheerd door ze korte tijd in kokend water of in de magnetron te koken totdat ze gaar maar nog knapperig zijn. Kooktijden voor blancheren variëren van 1 tot 2 minuten voor bladgroenten en doperwtjes, 3 tot 4 minuten voor peultjes, gesneden courgettes of broccoli, 5 minuten voor worteltjes en 7 tot 11 minuten voor maïskolven. Dompel de groenten na het blancheren onder in koud water om het gaarproces te onderbreken. Droog de groenten tenslotte voordat ze vacuüm worden verpakt.

Opmerking: Alle groenten (inclusief broccoli, spruitjes, kool, bloemkool, boerenkool, knolraap) geven gassen af wanneer ze worden bewaard. Ze kunnen daarom na het blancheren alleen in de vriezer worden bewaard.

Als u groenten vacuüm wilt verpakken om in te vriezen, kunt u ze het beste eerst 1-2 uur (of totdat ze diepgevroren zijn) invriezen. Als u individuele porties groenten wilt invriezen, verspreid u de porties eerst op een vel bakpapier zodat ze elkaar niet raken. Zo voorkomt u dat ze samen als één blok worden ingevroren. Wanneer ze zijn ingevroren, kunt u ze van het bakpapier verwijderen en vacuüm sealen in een FoodSaver™-zak. Nadat ze vacuüm zijn verpakt, kunt u ze weer in de diepvries leggen.

Belangrijk: Door het risico voor anaerobe bacteriën mogen champignons, uien en knoflook niet vacuüm worden geseald.

## Bladgroenten



Voor optimale resultaten kunnen bladgroenten het beste in een bus worden bewaard. Was de groente eerst en droog de bladeren vervolgens op papier van een keukenrol of in een slacentrifuge. Leg de droge bladeren vervolgens in een FoodSaver™-vershoudbus en seal de bus vacuüm op normale wijze. Bewaar de bus in de koelkast.

## Fruit



Als u zacht fruit of bosvruchten vacuüm wilt sealen om in te vriezen, kunt u ze het beste eerst 1-2 uur (of totdat ze diepgevroren zijn) invriezen. Als u individuele porties fruit wilt invriezen, verspreid u de porties eerst op een vel bakpapier zodat ze elkaar niet raken. Zo voorkomt u dat ze samen als één blok worden ingevroren. Wanneer ze zijn ingevroren, kunt u de porties van het bakpapier verwijderen en vacuüm sealen in een FoodSaver™-zak.

Nadat ze vacuüm zijn geseald, kunt u ze weer in de diepvries leggen. Porties fruit kunnen vacuüm worden geseald om later in recepten te verwerken of u kunt uw favoriete vruchtcombinaties sealen zodat u het hele jaar lang van heerlijke vruchtensalades kunt genieten. Als het fruit in de koelkast wordt bewaard, raden we u aan om een FoodSaver™-vershoudbus te gebruiken.

## Bakproducten



Gebruik een FoodSaver™-vershoudbus voor zachte of luchtige bakproducten, zodat ze niet worden geplet en de vorm behouden blijft wanneer ze vacuüm worden verpakt. Als u een zak gebruikt, dient u de producten van tevoren gedurende 1-2 uur in te vriezen of totdat ze diepgevroren zijn. Om tijd te besparen kunt u deeg voor koekjes of pasteitjes of zelfs gevulde pasteitjes maken, of droge ingrediënten mengen en vacuüm verpakken voor later gebruik.

## Koffie en voedsel in poedervorm



Plaats een koffiefilter of stuk keukenrol op de zak of bus voordat het product vacuüm wordt geseald, om te voorkomen dat kleine voedseldeeltjes in de vacuümpomp worden gezogen. U kunt de producten ook in hun

originele verpakking in een FoodSaver™-vershoudzak doen of een FoodSaver™ Universal Lid op de productdoos gebruiken om ze vacuüm te sealen.

## Vloeistoffen



Giet vloeistoffen in een schaal, cakevorm of ijsblokjesvorm en laat ze invriezen voordat u de vloeistof vacuüm gaat sealen. De ingevroren vloeistof kan dan uit de vorm worden genomen en vacuüm worden geseald

in een FoodSaver™-zak. De ingevroren blokken kunnen dan gemakkelijk in uw diepvries worden opgestapeld.

Wanneer u een blok wilt gebruiken, knipt u een hoekje van de zak en legt u de zak in een schaal in de magnetron, of legt u de zak in zacht kokend water (maximaal 75°C).

Voor het vacuüm sealen van flessen niet-koolzuurhoudende drank kunt u een FoodSaver™-flesafsluiter gebruiken op de originele fles.

Zorg wel dat er minstens 25 mm ruimte is tussen de inhoud in de fles en de onderkant van de flesafsluiter. De flessen kunnen telkens na gebruik weer opnieuw worden geseald.

## Vooraf bereide maaltijden, restjes en sandwiches



Bewaar uw kant-en-klare maaltijden, restjes en sandwiches efficiënt in stapelbare, lichte FoodSaver™-vershouddozen. Ze zijn geschikt voor de magnetron, kunnen op het bovenste rek in de vaatwasmachine worden gereinigd en worden geleverd met een speciale adapter.


De lichte containers zijn zo altijd klaar om mee te nemen naar kantoor, school of op een lekkere picknick!

## Snacks



Uw snacks blijven langer vers wanneer ze vacuüm zijn geseald. Gebruik een FoodSaver™-vershoudbus voor etenswaren zoals toastjes, die makkelijk breken.

## Problemen oplossen

Probleem	Oplossing
Waarschuingslampje voor oververhitting  gaat branden.	<ul style="list-style-type: none"><li>Het apparaat is oververhit. Wacht tot het lampje uitgaat voordat u het toestel weer gebruikt.</li></ul>
De pomp werkt meer dan 2 minuten zonder lucht te verwijderen.	<ul style="list-style-type: none"><li>Controleer of het open uiteinde van de zak in het lekbakje is ingevoerd.</li><li>Controleer of de afdichtingen boven en onder goed zijn aangebracht.</li><li>Controleer of ten minste één kant van de zak is geseald.</li><li>Open het apparaat en controleer of er zich geen vreemde voorwerpen, vuil of resten op de afdichtingen boven en onder bevinden.</li><li>Controleer of er voldoende ruimte is boven aan de zak is (75 mm), zodat deze in het lekbakje past wanneer het deksel vergrendeld is.</li><li>Zorg dat het handsealapparaat niet is aangesloten.</li><li>Controleer of het deksel goed is gesloten (de groene rand om de vergrendeling is zichtbaar en het groene aan/uit-lampje brandt).</li></ul>
De zak wordt niet goed geseald.	<ul style="list-style-type: none"><li>De zak bevat te veel vloeistof. Vries de inhoud van de zak eerst in voordat het product vacuüm wordt verpakt.</li><li>Trek de zak voorzichtig glad voordat u deze in de lekbak invoert en blijf de zak vasthouden totdat de vacuümpomp begint te werken, zodat er geen vouwen en plooien ontstaan.</li><li>Seal de zak een tweede keer boven de eerste sealrand wanneer u vochtig voedsel verpakt.</li></ul>
Er gebeurt niets als de vergrendeling is gesloten en de knop Vacuüm en sealen of Alleen sealen wordt ingedrukt.	<ul style="list-style-type: none"><li>Controleer of het deksel goed is gesloten (de groene rand om de vergrendeling is zichtbaar en het groene aan/uit-lampje brandt).</li></ul>
Voor verdere hulp:	<ul style="list-style-type: none"><li>Ga naar <a href="http://www.foodsavereurope.com">www.foodsavereurope.com</a> en kies uw land.</li></ul>

## Garantie

Bewaar uw re u omdat u dit nodig hebt wanneer u een garantieclaim wilt indienen.

Het product wordt tot 2 jaar na de aanschafdatum gegarandeerd, zoals beschreven in dit document.

In het onwaarschijnlijke geval dat het apparaat tijdens de garantieperiode defect raakt door een ontwerp- of fabricagefout, brengt u het samen met uw re u en een kopie van deze garantie terug naar de plaats van aanschaf.

Uw rechten en voordelen onder deze garantie staan los van uw wettelijke rechten, waarop deze garantie geen invloed heeft. Alleen Jarden Consumer Solutions (Europa) Limited ("JCS (Europe)") is gerechtigd deze voorwaarden te wijzigen.

JCS (Europe) verplicht zich ertoe binnen de garantieperiode het apparaat of ieder onderdeel van het apparaat dat niet juist werkt, gratis te repareren of vervangen op voorwaarde dat:

- U het probleem onmiddellijk meldt bij de plaats van aankoop of bij JCS (Europe), en dat
- het apparaat niet gewijzigd, beschadigd, onjuist gebruikt, misbruikt of gerepareerd is door een persoon die daartoe niet door JCS (Europe) is gemachtigd.

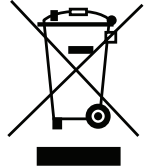
Defecten veroorzaakt door onjuist gebruik, beschadiging, misbruik, gebruik met een onjuiste netspanning, natuurrampen, gebeurtenissen waarop JCS (Europe) geen invloed heeft, reparatie of wijziging door een persoon die daartoe niet door JCS (Europe) is gemachtigd of het niet naleven van de handleiding, worden niet door deze garantie gedekt. Verder wordt gewone slijtage, met inbegrip van maar niet beperkt tot geringe verkleuring en krassen, niet door deze garantie gedekt.

De rechten onder deze garantie gelden alleen voor de oorspronkelijke aankoper en zijn niet van toepassing op commercieel of gemeenschappelijk gebruik.

Als u bij uw apparaat een landspecifieke garantie hebt ontvangen, raadpleegt u de bepalingen van die landspecifieke garantie in plaats van deze garantie of neemt u voor meer informatie contact op met uw plaatselijke gemachtigde dealer.

Elektrische afvalproducten mogen niet samen met huishoudelijk afval worden weggeworpen. Recycleer deze producten op de voorgeschreven wijze. Stuur ons een e-mail op [enquiriesEurope@jardencs.com](mailto:enquiriesEurope@jardencs.com) voor verdere informatie over recyclage en de AEEArichtlijn.

Jarden Consumer Solutions (Europe) Limited  
5400 Lakeside  
Cheadle Royal Business Park  
Cheadle  
SK8 3GQ  
United Kingdom



## Viktiga Säkerhetsanvisningar

Denna apparat kan användas av barn från 8 års ålder och av personer med nedsatt fysisk, sensorisk eller mental kapacitet eller brist på erfarenhet och kunskap om de har fått handledning eller anvisningar om hur apparaten används på ett säkert sätt och förstår riskerna som är involverade. Barn får inte leka med denna apparat. Rengöring och användarunderhåll ska inte utföras av barn utan handledning. Om nätsladden skadas måste den bytas ut av tillverkaren, dennes serviceombud eller en person med liknande kvalifikationer för att undvika risker.

- Använd alltid apparaten på ett stabilt, säkert, torrt och jämnt underlag.
- **WARNING! FÖRSEGLAREN ÄR INTE AVSEDD FÖR KOMMERSIELL ANVÄNDNING.** Använd aldrig apparaten till någonting annat än det som den är avsedd för. Apparaten är endast avsedd för hushållsanvändning. Apparaten får inte användas utomhus.
- Doppa aldrig apparaten eller elsladden och kontakten i vatten eller någon annan vätska.
- Använd inte apparaten om den har blivit tappad eller om det finns synliga tecken på skador.
- Se till att apparaten är avstängd och att kontakten är utdragen ur eluttaget efter användning och före rengöring.
- Koppla från apparaten genom att dra ut kontakten ur eluttaget. Dra inte i själva elsladden.
- Använd inte apparaten med förlängningssladd.
- Använd endast tillsatser eller tillbehör som har rekommenderats av tillverkaren.
- Vid återuppvärmning av mat i FoodSaver™-påsar ska påsarna läggas i sjudande vatten med en temperatur på högst 75 °C.
- **MAT SOM ÄR FÖRPACKAD I PÅSAR KAN TINAS UPP MEN INTE ÅTERUPPVÄRMAS I MIKROVÅGSUGN.** När livsmedel i FoodSaver™-påsar tinas upp i mikrovågsugn ska maxeffekten vara 180 watt (inställningen för upptining), maxtiden 2 minuter och maxtemperaturen 70 °C.

### SPARA BRUKSANVISNINGEN

## FoodSaver™ vakuutförseglingsystem

### Varför vakuutförpacka?

När mat kommer i kontakt med luft förlorar den näring och smak, och flera olika slags bakterier, mögel och jäst kan frodas. FoodSaver™ system för vakuutförpackning suger ut luften och bevarar smak och kvalitet. Det finns ett helt sortiment av FoodSaver™-påsar och -burkar. Du har därför stora valmöjligheter och kan dra nytta av fördelarna med en vetenskapligt bevisad metod för livsmedelsförvaring som gör att maten håller sig färsk upp till fem gånger så länge.

### FoodSaver™-systemet sparar både tid och pengar

- Sänk dina kostnader. Om du har ett FoodSaver™-system kan du handla i storpack eller på extrapris och vakuutförpacka livsmedel i önskad portionsstorlek utan slöseri.
- Spara mer tid. Laga hela veckans måltider i förväg och spara dem i FoodSaver™-påsar.
- Marinera på bara minuter. Vid vakuutförpackning öppnas porerna i maten så att den får en riktigt fin, marinerad smak efter bara 20 minuter istället för över natten.
- Koppla av när du har besök. Tillaga din specialrätt i förväg så kan du tillbringa kvalitetstid med dina gäster.
- Njut av säsongsråvaror och specialingredienser. Livsmedel som blir dåliga snabbt eller används sällan håller längre.
- Håll koll på portionerna när du bantar. Vakuutförpacka lagom stora portioner och skriv kalori- och fettinnehållet på påsen.
- Skydda andra produkter än livsmedel. Förvara camping- och båtutrustning torrt och välorganiserat inför utflykten. Skydda polerat silver mot missfärgningar genom att minimera kontakten med luft.

### FoodSaver™-tillbehör

Få ut så mycket som möjligt av din FoodSaver™ med FoodSaver™-påsar, -burkar och -tillbehör som är lätta att använda.

### FoodSaver™-påsar och -rullar

FoodSaver™-påsar och -rullar är försedda med särskilda kanaler som gör att luften kan avlägsnas effektivt. Konstruktionen med flera lager gör dem till ett särskilt effektivt skydd mot syre och fukt och



hjälp till att förhindra "frysbränna". FoodSaver™-påsar och -rullar finns i många olika storlekar.

### Runda FoodSaver™-burkar

Runda FoodSaver™-burkar är enkla att använda och idealiska för vakuumpförpackning av känsliga varor som muffins och andra bakverk, liksom vätska och torrvaror.

### FoodSaver™ Fresh-zippåsar

FoodSaver™-zippåsarna är försedda med särskilda kanaler som gör att luften kan avlägsnas effektivt. Konstruktionen med flera lager gör dem till ett särskilt effektivt skydd mot syre och fukt.

### FoodSaver™ Fresh-burkar

FoodSaver™ Fresh-burkar är enkla att använda och idealiska för vakuumpförpackning av känsliga varor som muffins och andra bakverk, liksom vätskor och torrvaror.

### FoodSaver™-flaskkork

Använd FoodSaver™-flaskkorkar för att vakuumpförpacka vin, vätska utan kolsyra och olja. Då håller vätskan längre och smaken bevaras. Flaskkorken bör inte användas på plastflaskor.

### FoodSaver™-låda för snabbmarinering

Med snabbmarineringslådan blir maten smakrik på bara några minuter istället för timmar tack vare att vakuumkraften får marinaden att tränga djupt in i livsmedlet.

### Beställning

Om du vill beställa FoodSaver™-påsar, -rullar och -tillbehör går du till [www.foodsavereurope.com](http://www.foodsavereurope.com) och väljer din region.

## Delar

Se bild 1.

- |                                |   |
|--------------------------------|---|
| <b>A</b> Övre packning         | <b>I</b> Strömlampa                     |
| <b>B</b> Löstagbar droppbricka | <b>J</b> Förloppslampor                 |
| <b>C</b> Spärrhake             | <b>K</b> Förloppslampa för försegling   |
| <b>D</b> Undre packning        | <b>L</b> Endast försegelingsknapp       |
| <b>E</b> Förseglingsremsa      | <b>M</b> Vakuum- och försegelingsknapp  |
| <b>F</b> Kontrollpanel         | <b>N</b> Knapp för livsmedel med vätska |
| <b>G</b> Tillbehörsport        | <b>O</b> Varningslampa för överhettning |
| <b>H</b> Handhållen förslutare |   |

## Skapa en påse från en FoodSaver™-rulle

Du kan skapa dina egna påsar i valfri storlek från en FoodSaver™-rulle. Se bild 2.

1. Anslut din vakuumpförseglare till ett eluttag. Tryck in båda spärrhakarna **C** och öppna locket. Placera rullens öppna ände över förseglingsremsa **E** så att rullens ände ligger mot den undre packningens framända. Skjut in te i påsens ände i droppbrickan.
2. Stäng locket helt tills spärrhakarna hoppar ut. När locket är ordentligt stängt visas ett grönt band runt spärrhaken och den gröna strömlampa **I** tänds.
3. Tryck på knappen för endast försegling **L** eller på vakuum- och försegelingsknappen **M**.
4. När den röda förloppsknappen för försegling **K** släcks, trycker du in båda spärrhakarna och tar bort rullen. Rullens ände är nu förseglad.
5. Mät upp den längd som krävs för produkten som ska förpackas. Lägg till ytterligare 75 mm för förseglingen och klipp av rullen rakt över.

## Använda din vakuumpförslutare

Se bild 3:

1. Placera maten som du vill förpacka i påsen. Du kan använda en färdig FoodSaver™-påse eller skapa din egen från en FoodSaver™-rulle.
2. Placera påsens öppna ände i droppbrickans **B** fack.
3. Stäng och lås locket. När locket är ordentligt stängt visas ett grönt band runt spärrhaken och den gröna strömlampa **I** tänds.
4. Tryck på vakuum- och försegelingsknappen **M**.
5. Din vakuumpförpackare avlägsnar luften från påsen och förseglar den. När förloppslamporna **J** har stannat och den röda förloppslampa för försegling **K** har slocknat är förseglingen klar.

### Förpacka livsmedel med mycket vätska

Om du förpackar livsmedel som är fuktiga eller innehåller mycket vätska ska du trycka på knappen för livsmedel med vätska **N** INNAN du trycker på vakuum- och försegelingsknappen.

## Försegla en påse utan att avlägsna luft

För att försegla en påse utan att avlägsna luften från den trycker du på knappen för endast försegling **L**. Du kan försegla den typ av påsar som används för förpackning av snacks som potatiscips, nachos osv.

## Försegla känsliga varor

Vissa livsmedel som bakverk, bröd, kex osv. kan krossas vid förseglingen. För att förhindra detta använder du knappen för endast försegling **L** enligt följande:

1. Följ steg 1, 2 och 3 i avsnittet *Använda din vakuumpförseglare*.
2. Tryck på knappen för endast försegling **L** innan varorna krossas. Då upphör omedelbart utsugningen av luft och påsen förseglas.

## Använda FoodSaver™-tillbehör

Så här vakuumpförseglar du en Fresh-zippåse eller Fresh-burk:

1. Sätt in anslutningskontaktens ände på den handhållna förslutaren **H** i tillbehörsporten **G** i FoodSaver-apparaten.
2. Sätt änden av den handhållna förslutaren över tillbehörets ventil och se till att den sitter tätt. Följ eventuella särskilda instruktioner som medföljer FoodSaver™-tillbehöret.

Obs! Om du vill vakuumpförsegla en FoodSaver™-burk tar du av uppsamlingskärlet (den genomskinliga underdelen) från förslutaren genom att dra det nedåt och bort från överdelen. För in förslutarens pip i burkens ventil.

3. Tryck på vakuump- och förseglingknappen **M**.
4. Din vakuumpförpackare avlägsnar luften från påsen och förseglar den. När förloppslamporna **J** har stannat och den röda förloppslamporna för försegling **K** har slocknat är förseglingen klar.



## Skötsel och rengöring

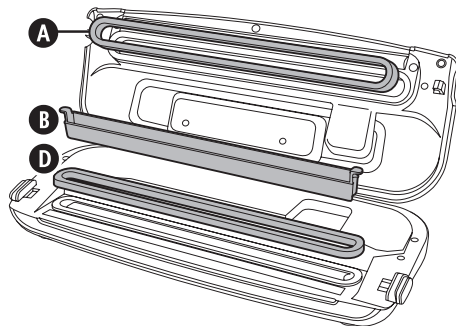
**Doppa aldrig enheten eller elsladden och kontakten i vatten eller någon annan vätska. Dra alltid ur enheten ur vägguttaget innan du rengör den.**

Torka av apparatens stomme med en mjuk, torr trasa.

Ta bort och töm droppbrickan **B** efter varje användning. Diska den i varmt vatten och diskmedel eller i den övre korgen i diskmaskinen. Torka brickan noga innan du sätter den på plats igen.

Kontrollera att den övre packningen **A**, den lägre packningen **D** och området runt droppbrickan är fria från matrester. Torka av packningarna med en trasa, varmt vatten och diskmedel vid behov.

Packningarna kan tas bort för rengöring. Rengör dem med varmt vatten och diskmedel. Torka noga och sätt dem försiktigt på plats igen.



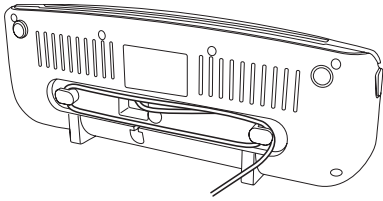
Ta bort den handhållna förslutarens uppsamlingskäril efter varje användning. Diska den i varmt vatten med diskmedel och låt den lufttorka ordentligt innan du sätter tillbaka den.

Vi rekommenderar att du byter ut packningarna varje år för att se till att din FoodSaver™-apparat fungerar effektivt. Besök [www.foodsavereurope.com](http://www.foodsavereurope.com) för att beställa ersättningsdelar.

## Förvaring

Stäng locket tills du hör ett första klick och spärrhakarna fäster med inte hoppar ut och visar det gröna bandet. Det här är tillräckligt för att säkra locket men undviker att pressa ihop packningarna (som kan göra att enheten slutar fungera korrekt).

Vira kablarne runt klamparna under enheten. Enheten kan förvaras upprätt enligt bilden.



## Säilytysohjeita ja -vinkkejä

### Tyhjiöpakkaaminen ja ruoan turvallisuus

Tyhjiöpakkausprosessi pidentää ruoan käyttöikää poistamalla saumatusta astiasta suurimman osan ilmasta. Tämä vähentää hapettumista, mikä vaikuttaa ruoan ravintoarvoihin, makuun ja yleislaatuun. Ilman poistaminen voi estää myös mikro-organismien kasvamisen. Ne voivat aiheuttaa ongelmia tietyissä olosuhteissa:

Ruokien turvallista säilyttämistä varten on olennaista ylläpitää alhaisia lämpötiloja. Voit vähentää merkittävästi mikro-organismien kasvua 4 °C:n tai sitä alhaisemmissa lämpötiloissa.

Pakastaminen -17 °C:n lämpötilassa ei tapa mikro-organismeja, mutta pysäyttää niiden kasvun. Pakasta aina pilaantuvat tyhjiöpakatut elintarvikkeet pitkäaikaista säilytystä varten, ja pidä ne jääkaapissa sulatuksen jälkeen.

On tärkeää huomata, että tyhjiöpakkaus EI korvaa säilöntää eikä voi kumota elintarvikkeiden pilaantumisprosessia. Se voi ainoastaan hidastaa laatumuutoksia. On vaikeaa ennustaa, miten pitkään elintarvikkeet säilyttävät huippulaatuisen makunsa, ulkonäkönsä tai rakenteensa, sillä tähän vaikuttavat ruoan ikä ja kunto tyhjiöpakkauspäivänä.

Tärkeää: Tyhjiöpakkaus EI korvaa elintarvikkeiden säilyttämistä jääkaapissa tai pakastamista. Kaikki jäähdystystä edellyttävät pilaantuvat elintarvikkeet on edelleen säilytettävä jääkaapissa tai pakastettava tyhjiöpakkaamisen jälkeen. Sairastumisen välttämiseksi pusseja ei tule käyttää uudelleen, jos niissä on säilytetty raakaa lihaa, raakaa kalaa tai rasvaisia ruokia. Älä käytä uudelleen pusseja, joita on kuumennettu mikroaaltouunissa tai vesihautteessa.

## Tyhjiöpakattujen ruokien sulatus ja kuumennus



Sulata ruoat aina jääkaapissa tai mikroaaltouunissa. Älä sulata pilaantuvia ruokia huoneenlämmössä.

Mat som är förpackad i påsar kan tinns upp men inte återuppvärmas i mikrovågsugn. När livsmedel i FoodSaver™-påsar tinns upp i mikrovågsugn ska maxeffekten vara 180 watt (inställningen för upptining), maxtiden 2 minuter och maxtemperaturen 70 °C. Voit myös kuumentaa ruokaa FoodSaver-pusseissa

asettamalla ne lämpimään poreilevaan veteen, jonka lämpötila on alle 75 °C. Följ eventuella särskilda instruktioner som medföljer FoodSaver™-påsar.

## Esikäsittelyohjeet

### Liha ja kala



Parhaat tulokset saavutetaan esipakastamalla lihaa ja kalaa 1-2 tuntia ennen niiden tyhjiöpakkaamista FoodSaver™-pussiin. Näin ruoan mehevyys ja muoto säilyvät ja tiiviysi paranee. Jos esipakastaminen ei ole mahdollista, aseta taitettu talouspaperin pala lihan tai kalan ja pussin yläpään väliin saumausalueen alapuolelle.

Jätä talouspaperin pala pussiin tyhjiöpakkausprosessin ajaksi imemään liiallista kosteutta ja nesteitä.

Huomaa: Naudanliha voi näyttää tummempalla tyhjiöpakkaamisen jälkeen, mikä johtuu hapen poistamisesta. Tämä ei ole merkki pilaantumisesta.

### Kovat juustot



Pidä juusto tuoreena tyhjiöpakkaamalla se aina käytön jälkeen. Tee erittäin pitkä FoodSaver™-pussi, niin että jätät 25 mm pussimateriaalia kutakin aiottuun avaamis- ja sulkemiskertaa varten normaalin 75 mm:n lisäksi, jonka tavallisesti jätät sisällön ja sauman väliin.

Leikkaa vain saumattu reuna auki ja ota juusto esiin. Kun haluat pakata juuston uudelleen, laita se pussiin ja tee uusi sauma.

Tärkeää: Anaerobisten bakteerien vaaran vuoksi pehmeitä juustoja ei tule koskaan tyhjiöpakata.

### Vihannekset



Vihannekset on kiehausettava ennen tyhjiöpakkaamista. Tämä pysäyttää entsyymireaktion, joka voi aiheuttaa maun, värin ja rakenteen katoamista.

Kiehauta vihannekset laittamalla ne kiehuvaan veteen tai mikroaaltouuniin, kunnes ne ovat kypsyeitä, mutta edelleen rapeita. Kiehausajat vaihtelevat. Lehteville vihreille vihanneksille ja herneille tarvittava aika on 1-2 minuuttia, sokeriherneille, kesäkurpitsasiivuille tai parsakaalille 3-4 minuuttia, porkkanoille 5 minuuttia ja maissintähkille 7-11 minuuttia. Upota vihannekset kiehausuksen jälkeen kylmään veteen kypsennysprosessin pysäyttämiseksi. Kuivaa lopuksi vihannekset pyyhkeeseen ennen tyhjiöpakkaamista.

Huomaa: Kaikki vihannekset (mukaan lukien parsakaali, ruusukaali, keräkaali, kukkakaali, lehtikaali, turnipsi) vapauttavat kaasuja säilytyksen aikana. Tästä syystä niitä on säilytettävä kiehausuksen jälkeen pakastimessa.

Vihanneksia pakastettaessa on parasta esipakastaa niitä 1-2 tuntia tai kunnes ne ovat kunnolla jäätyneet. Jos haluat pakastaa vihanneksia erillisissä annoksissa, aseta pohjalle leivinpaperi ja levitä vihannekset sen päälle siten, että ne eivät koske toisiaan. Näin estät niitä jäätyvästä kiinni toisiinsa. Kun vihannekset ovat jäätyneet, irrota ne leivinpaperista ja tyhjiöpakkaa ne FoodSaver™-pussiin. Kun ne on tyhjiöpakattu, laita ne takaisin pakastimeen.

Tärkeää: Anaerobisten bakteerien vaaran vuoksi tuoreita sienä, sipuleita ja valkosipuleita ei tule koskaan tyhjiöpakata.

### Lehtivihannekset



Parhaat tulokset saat pakkaamalla lehtevät vihannekset rasiaan. Pese vihannekset ensin, ja kuivaa ne sitten pyyhkeellä tai lingossa. Kun vihannekset on kuivattu, laita ne rasiaan ja tyhjiöpakkaa normaalisti. Säilytä jääkaapissa.

### Hedelmät



Pehmeitä hedelmiä tai marjoja pakastettaessa on parasta esipakastaa niitä 1-2 tuntia tai kunnes ne ovat kunnolla jäätyneet. Jos haluat pakastaa hedelmiä erillisissä annoksissa, aseta pohjalle leivinpaperi ja levitä hedelmät sen päälle siten,

että ne eivät koske toisiaan. Näin estät niitä jäätyvästä kiinni toisiinsa. Kun hedelmät ovat jäätyneet, irrota ne leivinpaperista ja tyhjiöpakkaa ne FoodSaver™-pussiin.

Kun ne on tyhjiöpakattu, laita ne takaisin pakastimeen. Voit tyhjiöpakata annoksia leivontaa varten tai tehdä lempiyhdistelmiäsi helpottamaan hedelmäsalaatin tekoa ympäri vuoden. Jos säilytät hedelmiä jääkaapissa, suosittelemme käyttämään FoodSaver™-rasiaa.

### Leivonnaiset




Suosittellemme käyttämään pehmeiden tai ilmavien leivonnaisten tyhjiöpakkauksessa FoodSaver™-rasiaa, jotta leivonnaisten muoto säilyy hyvänä. Pussia käytettäessä esipakasta leivonnaisia 1-2 tuntia tai kunnes ne ovat kunnolla jäätyneet. Voit säätää aikaa tekemällä pikkuleipätaikinan, piirakkapohjan, kokonaisen piirakan tai kuiva-aineskoitukset etukäteen ja tyhjiöpakkaamalla ne myöhemmää käyttöä varten.

### Kahvi ja jauhemaiset elintarvikkeet



Voit estää ruoanmurujen joutumisen tyhjiöpumppuun asettamalla suodatinpussin tai talouspaperin palan pussin tai rasian päälle ennen tyhjiöpakkaamista. Voit myös laittaa ruoan sen alkuperäisessä pussissa

## Felsökning

Problem	Lösning
Varningslampan för överhettning  tänds.	<ul style="list-style-type: none"> <li>Enheten har överhettats. Vänta tills varningslampan för överhettning har slocknat innan du använder enheten.</li> </ul>
Pumpen är i gång i mer än 2 minuter utan att någon luft avlägsnas.	<ul style="list-style-type: none"> <li>Kontrollera att påsens öppna ände är infogad i droppbrickan.</li> <li>Kontrollera att båda packningarna är rätt installerade.</li> <li>Kontrollera att minst en av påsens ändrar är förseglad.</li> <li>Öppna enheten och kontrollera att det inte finns några främmande föremål, smuts eller skräp på den övre eller undre packningen.</li> <li>Kontrollera att det finns tillräckligt med plats (75 mm) överst i påsen så att den passar in i droppbrickan med locket stängt och låst.</li> <li>Kontrollera att den handhållna förslutaren inte är fäst.</li> <li>Kontrollera att locket är helt stängt (det gröna bandet visas kring spärrhaken och den gröna strömlampan är tänd).</li> </ul>
Påsen förseglas inte ordentligt.	<ul style="list-style-type: none"> <li>Påsen innehåller för mycket vätska. Frys påsens innehåll före vakuumpförpackningen.</li> <li>För att förhindra veck i förseglingen sträcker du försiktigt ut påsen medan du för in påsen i droppbrickan, och fortsätter att hålla påsen tills vakuumpumpen startar.</li> <li>Skapa ytterligare en försegling ovanför den första förseglingen på påsen för att säkerställa en ordentlig försegling när du förpackar livsmedel med mycket vätska.</li> </ul>
Inget händer när spärren låses och vakuump- och förseglingssknappen eller endast förseglingssknappen trycks in.	<ul style="list-style-type: none"> <li>Kontrollera att locket är helt stängt (det gröna bandet visas kring spärrhaken och den gröna strömlampan är tänd).</li> </ul>
Om du behöver mer hjälp:	<ul style="list-style-type: none"> <li>Gå till <a href="http://www.foodsavereurope.com">www.foodsavereurope.com</a> och välj din region.</li> </ul>

FoodSaver™-pussiin tai käyttää FoodSaver™-yleiskantaa alkuperäisen astian kanssa tyhjiöpakkaamiseen.

## Nesteet



Ennen kuin tyhjiöpakkaat nesteitä, kuten keittopohjia, esipakasta tuotetta kattilassa, vuossa tai jääpalalokerikossa, kunnes neste on kiinteää. Irrota jäätynyt neste astiasta ja tyhjiöpakkaa FoodSaver™-pussiin. Voit pakata nämä ”jäakuutiot” pakastimeen.

Kun haluat valmistaa ruoan, leikkaa pussin kulma ja aseta astiaan mikroaaltouunissa tai pudota lämpimään poreilevaan veteen, jonka lämpötila on alle 75 °C.

Hiihihapottomien pulutettujen juomien tyhjiöpakkaamiseen voi käyttää FoodSaver™-pullonkorkkia ja alkuperäistä astiaa.

Muista jättää aina vähintään 25 mm tilaa sisällön ja pullonkorkin pohjan väliin. Voit saumata pullo uudelleen aina käytön jälkeen.

## Etukäteän valmistetut ateriat, ruoantähteet ja voileivät



Säilytä etukäteän valmistetut ateriat, ruoantähteet ja voileivät tehokkaasti pinottavissa, kevyissä FoodSaver™-astioissa. Ateriat ovat mikroaaltouuninkestäviä, ne voidaan pestä astianpesukoneen

ylätelineellä ja niissä on mukana muokattava sovitin.

Kevyet ateriat ovat aina valmiita otettavaksi mukaan toimistoon, kouluun tai retkelle.

## Välipalat



Välipalat pysyvät tuoreina pidempään, kun tyhjiöpakkaat ne. Parhaat tulokset saa panemalla murskautuvat tuotteet, kuten kekseit, FoodSaver™-rasiaan.

## Garanti

Spara kvittot eftersom det krävs vid eventuell ersättningskrav enligt denna garanti.

Den här produkten är garanterad i 2 år efter köpet så som beskrivs i detta dokument.

Under denna garantiperiod, vid den osannolika händelse att apparaten inte längre fungerar på grund av ett konstruktions- eller tillverkningsfel, tag tillbaka apparaten till inköpsstället tillsammans med ditt kvitto och en kopia av denna garanti.

Rättigheter och fördelar enligt denna garanti gäller utöver dina lagliga rättigheter, vilka inte påverkas av denna garanti. Endast Jarden Consumer Solutions (Europe) Limited (”JCS (Europe)”) har rätten att ändra dessa villkor.

JCS (Europe) åtar sig att inom garantiperioden reparera eller byta ut apparaten, eventuella delar av apparaten som inte fungerar ordentligt, kostnadsfritt förutsatt att:

- Du omedelbart meddelar inköpsstället eller JCS (Europe) om problemet; och
- att apparaten inte har ändrats på något sätt eller utsatts för skada, används felaktigt, missbrukats, reparerats eller ändrats av någon person annan än en person som auktoriserats av JCS (Europe).

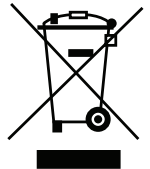
Fel som uppstår till följd av felaktig användning, skada, åverkan, användning med fel spänning, force majeure, händelser som JCS (Europe) inte har kontroll över, reparation eller ändring utförd av en person som inte är auktoriserad av JCS (Europe) eller underlåtenhet att följa bruksanvisningen omfattas inte av denna garanti.

Vidare, så omfattas inte normalt slitage inklusive, men ej begränsat till, smärre missfärgning och repor av den här garantin. Rättigheterna inom ramen för den här garantin gäller endast den som ursprungligen köpte apparaten och inbegriper inte kommersiellt eller kollektivt bruk.

Om din apparat har en garanti som är specifik för ditt land, se villkoren för denna i stället för den här garantin, eller kontakta din lokala, auktoriserade återförsäljare för mer information.

Kasserade elektriska produkter ska inte slängas tillsammans med hushållsavfall. Återvinning ska ske på avsedd plats. Kontakta oss per e-post på [enquiriesEurope@jardencs.com](mailto:enquiriesEurope@jardencs.com) för mer information om återvinning och om avfall som utgörs av eller innehåller elektriska eller elektroniska produkter.

Jarden Consumer Solutions (Europe) Limited  
5400 Lakeside  
Cheadle Royal Business Park  
Cheadle  
SK8 3GQ  
United Kingdom



## Tärkeitä varotoimia

Kahdeksan vuotta täyttäneet lapset, fyysisesti tai henkisesti vammaiset, aistivammaiset ja riittävää kokemusta tai tietämystä vailla olevat saavat käyttää laitetta, jos heitä on ohjattu tai opastettu laitteen turvallisessa käytössä ja jos he ymmärtävät sen käyttöön liittyvät riskit. Laitetta ei ole tarkoitettu lasten leikkikaluksi. Laitteen puhdistusta ja huoltoa ei saa jättää lapsen tehtäväksi ilman aikuisen valvontaa.

Jos laitteen virtajohto vaurioituu, se on turvallisuussyistä vaihdettava valmistajan, valtuutetun huoltoedustajan tai muun pätevän henkilön toimesta.

- Laitteen on käytön aikana oltava vakaalla, kuivalla ja tasaisella alustalla.
- HUOMIO: TÄTÄ TYHJIÖPAKKAUSLAITETTA EI OLE TARKOITETTU KAUPALLISEEN KÄYTTÖÖN. Laitetta saa käyttää vain sen aiottuun käyttötarkoitukseen. Laite on tarkoitettu vain kotitalouskäyttöön. Laitetta ei ole tarkoitettu ulkokäyttöön.
- Älä koskaan kasta laitetta, sen virtajohtoa tai pistoketta veteen tai muuhun nesteeseen.
- Laitetta ei saa käyttää, jos se on päässyt putoamaan tai jos siinä näkyy vaurioita.
- Katkaise laitteesta käytön jälkeen virta ja irrota virtajohdon pistoke pistorasiasta ennen laitteen puhdistamista.
- Irrota laite sähköverkosta irrottamalla pistoke pistorasiasta. Älä irrota johtoa vetämällä siitä.
- Älä käytä laitteessa jatkojohtoa.
- Käytä ainoastaan valmistajan suosittelemia laitteita tai varusteita.
- Kun lämmität ruokaa FoodSaver™-pusseissa, aseta ne lämpimään poreilevaan veteen, jonka lämpötila on alle 75 °C.
- PUSSIN SISÄLTÄMÄ RUOKA VOIDAAN SULATTAA, MUTTA SITÄ EI VOIDA LÄMMITTÄÄ UUELLEEN MIKROALTOUUNISSA. Kun sulatat ruokaa FoodSaver™-pussissa mikroaltonuunissa, varmista, ettet ylitä 180 watin enimmäistehoä (sulatusasetus), kahden minuutin enimmäisaikaa ja 70 °C:n enimmäislämpötilaa.

### SÄILYÄ NÄMÄ OHJEET

## FoodSaver™-tyhjiöpakkauslaite

### Miksi tyhjiöpakkaus?

Ruoan altistuminen ilmalle aiheuttaa sen ravintoaineiden ja maun häviämistä ja mahdollistaa monenlaisten bakteerien, homeen ja hiivan kasvun. FoodSaver™-tyhjiöpakkauslaite poistaa ilman säilyttäen maun ja hyvän laadun. Käytä monipuolisia FoodSaver™-pusseja ja -rasioita ja nauti tämän tieteellisesti todistetun ruoansäilytystavan eduista - ruoka säilyy tuoreena jopa viisi kertaa pidempään.

### FoodSaver-järjestelmä säästää aikaa ja rahaa

Säästä rahaa. Kun käytät FoodSaver™-järjestelmää, voit ostaa enemmän ruokaa kerralla, hyödyntää tarjouksia ja tyhjiöpakata ruoan haluamiisi annoksiin ilman haaskausta.

- Säästä aikaa. Valmista ruokaa etukäteen koko viikoksi ja pakkaa se FoodSaver™-pusseihin.
- Marinoi muutamassa minuutissa. Tyhjiöpakkauksessa ruoan huokokset avautuvat, jolloin marinadi maustaa ruoan jo 20 minuutissa yön yli odottamisen sijaan.
- Järjestä juhlat helposti. Tee lempiherkkusi etukäteen, jolloin voit nauttia yhteisestä ajasta vieraittesi kanssa.
- Nauti kausi- tai erikoisherkuista. Voit säilyttää helposti pilaantuvat tai harvoin käytettävät ruoat tuoreena pidempään.
- Noudata helposti dieettiä. Tyhjiöpakkaa annokset ja merkitse kalorit, rasvaprosentti ja muut tiedot pussiin.
- Suojaa muut tuotteet. Pidä retkeily- ja veneilyvarusteet kuivina ja järjestyksessä retkillä. Ehkäise kiillotettujen hopeaesineiden tummuminen minimoimalla ilman vaikutus.

## FoodSaver™-tarvikkeet

Hyödynnä FoodSaver™-laitettasi parhaalla mahdollisella tavalla helppokäyttöisten FoodSaver™-pussien, -rasioiden ja -tarvikkeiden avulla.

### FoodSaver™-pussit ja -rullat

FoodSaver™-pussien ja -rullien erityissuunniteltujen kanavien ansiosta ilma voidaan poistaa tehokkaasti. Monikerroksisesta rakenteesta johtuen ne suojaavat erityisen tehokkaasti hapelta ja kosteudelta ja estävät jääpoltteen syntymisen. FoodSaver™-pusseja ja -rullia saa montaa eri kokoa.

## FoodSaver™-rasiat

FoodSaver™-rasioita on helppo käyttää, ja ne sopivat ihanteellisesti herkkien tuotteiden, kuten leivonnaisten, nesteiden ja kuivatavaroiden, tyhjiöpakkaamiseen.

## Suljettavat FoodSaver™-tuoresäilytuspussit

Suljettavien FoodSaver™-tuoresäilytuspussien erityissuunniteltujen kanavien ansiosta ilma voidaan poistaa tehokkaasti. Monikerroksisesta rakenteesta johtuen ne suojaavat erityisen tehokkaasti hapelta ja kosteudelta.

## FoodSaver™-tuoresäilytysastiat

FoodSaver™-tuoresäilytysastioita on helppo käyttää, ja ne sopivat ihanteellisesti herkkien tuotteiden, kuten leivonnaisten, nesteiden ja kuivatavaroiden, tyhjiöpakkaamiseen.

## FoodSaver™-pullonkorkki

Käytä FoodSaver™-pullonkorkkeja viinien, hiilihapottomien nesteiden ja öljyjen tyhjiöpakkaamiseen. Näin voit pidentää nesteen käyttöikää ja säilyttää sen maun. Älä käytä pullonkorkkia muovipulloissa.

## FoodSaver-pikamarinoija

Pikamarinoija kyllästää ruoan maulla ja imeyttää marinadin ruokaan alipaineen avulla minuuteissa tuntien sijaan.

## Tilaaminen

Voit tilata FoodSaver™-pusseja, -rullia ja -tarvikkeita vieraillemalla osoitteessa

[www.foodsavereurope.com](http://www.foodsavereurope.com) ja valitsemalla alueesi.

## Osat

Ks. kuva 1.:

- |                                      |  |
|--------------------------------------|--|
| <b>A</b> Ylätiiviste                 | <b>I</b> Virran merkkivalo             |
| <b>B</b> Irrotettava keruustia       | <b>J</b> Edistymisvalot                |
| <b>C</b> Kannensalpa                 | <b>K</b> Saumauksenedistymisvalo       |
| <b>D</b> Alatiiviste                 | <b>L</b> Saumauspainike                |
| <b>E</b> Saumauskaistale             | <b>M</b> Tyhjiöinti ja saumaus-painike |
| <b>F</b> Ohjauspaneeli               | <b>N</b> Kosteaa ruoka -painike        |
| <b>G</b> Tarvikeliitäntä             | <b>O</b> Ylikuumenemisen varoitusvalo  |
| <b>H</b> Käsikäyttöinen pakkauslaite |  |

## Pussin valmistaminen FoodSaver™-rullasta

FoodSaver™-rullasta voit valmistaa haluamasi kokoisia pusseja. Ks. kuva 2.:

1. Liitä tyhjiöpakkauslaite sähköverkon pistorasiaan. Paina kumpaakin salpaa **C** ja avaa kansi. Aseta rullan avoin pää saumauskaistaleen **E** päälle siten, että rullan pää asettuu alatiivisteeseen etureunaa vasten. Varmista, ettei pussin pää mene keruustiaan.
2. Sulje kansi kokonaan, kunnes salvat **C** tulevat ponnahtavat ulos. Kun kansi on suljettu kunnolla, salvan ympärille ilmestyy vihreä nauha ja virran vihreä merkkivalo **I** syttyy.
3. Paina saumauspainiketta **L** tai tyhjiöinti ja saumaus -painiketta **M**.
4. Kun punainen saumauksenedistymisvalo **K** on sammunut, paina salpoja ja poista rulla. Rullan pää on nyt saumattu.
5. Mittaa pakattavalle elintarvikkeelle tarvittava pituus. Lisää pituutta 75 mm:llä, jotta pussi voidaan saumata, ja leikkaa pussi rullasta.

## Tyhjiöpakkauslaitteen käyttäminen

Ks. kuva 3.:

1. Aseta pakattava elintarvike pussiin. Voit käyttää valmista FoodSaver™-pussia tai valmistaa haluamasi kokoisia pusseja FoodSaver™-rullasta.
2. Aseta pussin avoin pää keruustian **B** aukkoon.
3. Sulje ja lukitse kansi. Kun kansi on suljettu kunnolla, salvan ympärille ilmestyy vihreä nauha ja virran vihreä merkkivalo **I** syttyy.
4. Paina tyhjiöinti ja saumaus -painiketta **M**.
5. Tyhjiöpakkauslaite poistaa ilman pussista ja saumaa pussin. Kun edistymisvalot **J** ovat sammuneet ja punainen saumauksenedistymisvalo **K** on sammunut, tyhjiöinti ja saumaus ovat päättyneet.

## Kostean ruoan pakkaaminen

Jos pakkaat kosteita tai erittäin mehukkaita ruokia, paina kostea ruoka -painiketta **N**, ENNEN kuin painat tyhjiöinti ja saumaus -painiketta.

## Pussin saamaaminen ilmaa poistamatta

Voit saumata pussin poistamatta ilmaa pussista painamalla saumauspainiketta **L**. Voit saumata naposteltavien, kuten perunalastujen, tortillalastujen yms. pakkaamiseen käytettäviä pusseja.

## Murenevien elintarvikkeiden pussien saumaaminen

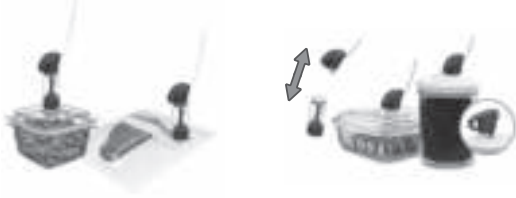
Jotkin elintarvikkeet, kuten pasteijat, leipä, keksit yms. saattavat murentua pussin saumauksessa. Voit ehkäistä murentumista käyttämällä saumauspainiketta **L** seuraavasti:

1. Toista tyhjiöpakkauslaitteen käyttämisen vaiheet 1, 2 ja 3.
2. Paina saumauspainiketta **L**, ennen kuin murentumista ilmenee. Toiminto pysäyttää ilmanpoiston ja saumaa pussin.

## FoodSaver™-tarvikkeiden käyttäminen

Suljettavan tuoresäilytuspussin tai tuoresäilytysastian tyhjiöpakkaaminen:

1. Aseta käsikäyttöisen pakkauslaitteen **H** liitinpää FoodSaver™-laitteen tarvikeliitäntään **G**.
2. Aseta käsikäyttöisen pakkauslaitteen pää tarvikkeessa olevaan venttiiliin ja varmista, että kytkentä on asianmukainen. Noudata FoodSaver™-tarvikkeen mukana tulevia ohjeita. Huomaa: Tyhjiöpakkaa FoodSaver™-rasia irrottamalla pakkauslaitteen nestesäiliö (läpinäkyvä alaosa) vetämällä sitä alas ja pois yläosasta. Aseta pakkauslaitteen kärki rasian liitäntään.
3. Paina tyhjiöinti ja saumaus -painiketta **M**.
4. Tyhjiöpakkauslaite poistaa ilman pussista ja saumaa pussin. Kun edistymisvalot **J** ovat sammuneet ja punainen saumauksen edistymisvalo **K** on sammunut, tyhjiöinti ja saumaus ovat päättyneet.



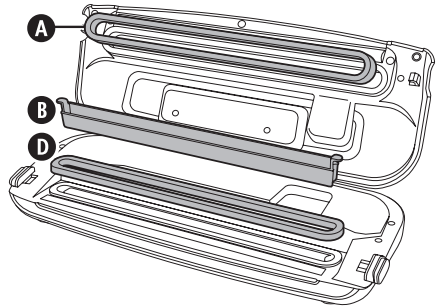
## Hoito ja puhdistaminen

**Älä koskaan kasta laitetta, sen virtajohtoa äläkä pistoketta veteen tai muuhun nesteeseen. Irrota laitteen pistoke pistorasiasta aina ennen puhdistusta.**

Pyyhi laitteen runko pehmeällä kuivalla rätillä.

Irrota ja tyhjennä keruuoastia **B** jokaisen käyttökerran jälkeen. Pese se lämpimässä pesuainevedessä tai astianpesukoneen ylätelineessä. Kuivaa huolellisesti ennen paikoilleen asettamista.

Tarkista ylä- **A** ja alatiiviste **D** ja keruuoastian ympäriltä, ettei niissä ole ruokajäämiä. Pyyhi tiivisteet tarvittaessa lämpimällä pesuaineeseen kastetulla rätillä. Tiivisteet voidaan irrottaa puhdistusta varten. Puhdista ne lämpimällä pesuainevedellä. Kuivaa huolellisesti ja aseta takaisin paikoilleen



Irrota käsikäyttöisen pakkauslaitteen nestesäiliö jokaisen käyttökerran jälkeen. Pese se lämpimällä saippuavedellä ja anna kuivua huoneenlämmössä ennen paikoilleen asettamista.

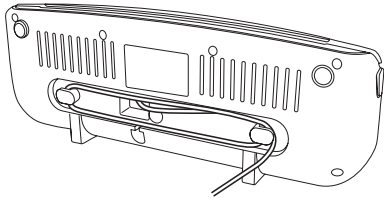
Jotta FoodSaver™-laite toimisi tehokkaasti, suosittelemme, että tiivisteet vaihdetaan vuosittain. Vaihdotiivisteitä voi tilata osoitteesta [www.foodsavereurope.com](http://www.foodsavereurope.com).

## Säilytys

Sulje kansi ensimmäiseen napsahdukseen asti niin, että salvat tarttuvat kanteen mutteivät ponnahta ulos eivätkä paljasta vihreää nauhaa. Näin kansi pysyy paikallaan muttei purista tiivisteitä (mikä voi aiheuttaa laitevian).



Kääri virtajohto laitteen pohjassa oleviin kiinnikkeisiin. Laitetta voidaan säilyttää pystyssä kuvan osoittamalla tavalla.



## Säilytysohjeita ja -vinkkejä

### Tyhjiöpakkaaminen ja ruoan turvallisuus

Tyhjiöpakkausprosessi pidentää ruoan käyttöikää poistamalla saumatusta astiasta suurimman osan ilmasta. Tämä vähentää hapettumista, mikä vaikuttaa ruoan ravintoarvoihin, makuun ja yleislaatuun. Ilman poistaminen voi estää myös mikro-organismien kasvamisen. Ne voivat aiheuttaa ongelmia tietyissä olosuhteissa:

Ruokien turvallista säilyttämistä varten on olennaista ylläpitää alhaisia lämpötiloja. Voit vähentää merkittävästi mikro-organismien kasvua 4 °C:n tai sitä alaisemmissa lämpötiloissa.

Pakastaminen -17 °C:n lämpötilassa ei tapa mikro-organismeja, mutta pysäyttää niiden kasvun. Pakasta aina pilaantuvat tyhjiöpakatut elintarvikkeet pitkäaikaista säilytystä varten, ja pidä ne jääkaapissa sulatuksen jälkeen.

On tärkeää huomata, että tyhjiöpakkaus EI korvaa säilöntää eikä voi kumota elintarvikkeiden pilaantumisprosessia. Se voi ainoastaan hidastaa laatumuutoksia. On vaikeaa ennustaa, miten pitkään elintarvikkeet säilyttävät huippulaatuisen makunsa, ulkonäkönsä tai rakenteensa, sillä tähän vaikuttavat ruoan ikä ja kunto tyhjiöpakkauspäivän.

Tärkeää: Tyhjiöpakkaus EI korvaa elintarvikkeiden säilyttämistä jääkaapissa tai pakastamista. Kaikki jäähdystystä edellyttävät pilaantuvat elintarvikkeet on edelleen säilytettävä jääkaapissa tai pakastettava tyhjiöpakkaamisen jälkeen. Sairastumisen välttämiseksi pusseja ei tule käyttää uudelleen, jos niissä on säilytetty raakaa lihaa, raakaa kalaa tai rasvaisia ruokia. Älä käytä uudelleen pusseja, joita on kuumennettu mikroaaltouunissa tai vesihautteessa.

## Tyhjiöpakattujen ruokien sulatus ja kuumennus



Sulata ruoat aina jääkaapissa tai mikroaaltouunissa. Älä sulata pilaantuvia ruokia huoneenlämmössä.

Pussin sisältämä ruoka voidaan sulattaa, mutta sitä ei voida lämmittää uudelleen mikroaaltouunissa. Kun sulatat ruokaa FoodSaver™-pussissa mikroaaltouunissa, varmista, ettet ylitä 180 watin enimmäisteho (sulatusasetus), kahden minuutin

enimmäisaikaa ja 70 °C:n enimmäislämpötilaa. Voit myös kuumentaa ruokaa FoodSaver™-pusseissa asettamalla ne lämpimään poreilevaan veteen, jonka lämpötila on alle 75 °C. Noudata FoodSaver™-tarvikkeen mukana tulevia ohjeita.

## Esikäsittelyohjeet

### Liha ja kala



Parhaat tulokset saavutetaan esipakastamalla lihaa ja kalaa 1-2 tuntia ennen niiden tyhjiöpakkaamista FoodSaver™-pussiin. Näin ruoan mehevyys ja muoto säilyvät ja tiiviys paranee. Jos esipakastaminen ei ole mahdollista, aseta taitettu talouspaperin pala lihan tai kalan ja pussin yläpään väliin saumausalueen alapuolelle.

Jätä talouspaperin pala pussiin tyhjiöpakkausprosessin ajaksi imemään liiallista kosteutta ja nesteitä.

Huomaa: Naudanliha voi näyttää tummemmalla tyhjiöpakkauksen jälkeen, mikä johtuu hapen poistamisesta. Tämä ei ole merkki pilaantumisesta.

### Kovat juustot



Pidä juusto tuoreena tyhjiöpakkaamalla se aina käytön jälkeen. Tee erittäin pitkät FoodSaver™-pussi, niin että jätät 25 mm pussimateriaalia kutakin aiottua avaamis- ja sulkemiskertaa varten normaalin 75 mm:n lisäksi, jonka tavallisesti jätät sisällön ja sauman väliin.

Leikkaa vain saumattu reuna auki ja ota juusto esiin. Kun haluat pakata juuston uudelleen, laita se pussiin ja tee uusi sauma.

Tärkeää: Anaerobisten bakteerien vaaran vuoksi pehmeitä juustoja ei tule koskaan tyhjiöpakata.

### Vihannekset



Vihannekset on kiehausattava ennen tyhjiöpakkaamista. Tämä pysäyttää entsyymireaktion, joka voi aiheuttaa maun, värin ja rakenteen katoamista.

Kiehauta vihannekset laittamalla ne kiehuvaan veteen tai mikroaaltouuniin, kunnes ne ovat kypsyneitä, mutta edelleen rapeita. Kiehausajat vaihtelevat. Lehteville vihreille vihanneksille ja herneille tarvittava aika on 1-2 minuuttia, sokeriherneille, kesäkurpitsasiivuille tai parsakaalille 3-4 minuuttia, porkkanoille 5 minuuttia ja maissintähkille 7-11 minuuttia. Upota vihannekset kiehausuksen jälkeen kylmään veteen kypsennysprosessin pysäyttämiseksi. Kuivaa lopuksi vihannekset pyyhkeeseen ennen tyhjiöpakkaamista.

Huomaa: Kaikki vihannekset (mukaan lukien parsakaali, ruusukaali, keräkaali, kukkakaali, lehtikaali, turnipsi) vapauttavat kaasuja säilytyksen aikana. Tästä syystä niitä on säilytettävä kiehausuksen jälkeen pakastimessa.

Vihanneksia pakastettaessa on parasta esipakastaa niitä 1-2 tuntia tai kunnes ne ovat kunnolla jäätyneet. Jos haluat pakastaa vihanneksia erillisissä annoksissa, aseta pohjalle leivinpaperi ja levitä vihannekset sen päälle siten, että ne eivät koske toisiaan. Näin estät niitä jäätyvästä kiinni toisiinsa. Kun vihannekset ovat jäätyneet, irrota ne leivinpaperista ja tyhjiöpakkaa ne FoodSaver™-pussiin. Kun ne on tyhjiöpakattu, laita ne takaisin pakastimeen.

Tärkeää: Anaerobisten bakteerien vaaran vuoksi tuoreita sienä, sipuleita ja valkosipuleita ei tule koskaan tyhjiöpakata.

### Lehtivihannekset



Parhaat tulokset saat pakkaamalla lehtevät vihannekset rasiaan. Pese vihannekset ensin, ja kuivaa ne sitten pyyhkeellä tai lingossa. Kun vihannekset on kuivattu, laita ne rasiaan ja

tyhjiöpakkaa normaalisti. Säilytä jääkaapissa.

### Hedelmät



Pehmeitä hedelmiä tai marjoja pakastettaessa on parasta esipakastaa niitä 1-2 tuntia tai kunnes ne ovat kunnolla jäätyneet. Jos haluat pakastaa hedelmiä erillisissä annoksissa, aseta pohjalle leivinpaperi ja levitä hedelmät sen päälle siten, että ne eivät koske toisiaan. Näin estät niitä jäätyvästä kiinni toisiinsa. Kun hedelmät ovat jäätyneet, irrota ne leivinpaperista ja tyhjiöpakkaa ne FoodSaver™-pussiin.


Kun ne on tyhjiöpakattu, laita ne takaisin pakastimeen. Voit tyhjiöpakata annoksia leivontaa varten tai tehdä lempiyhdistelmiäsi helpottamaan hedelmäsalaaiteen tekoa ympäri vuoden. Jos säilytät hedelmiä jääkaapissa, suosittelemme käyttämään FoodSaver™-rasiaa.

### Leivonnaiset



Suosittellemme käyttämään pehmeiden tai ilmavien leivonnaisten tyhjiöpakkauksessa FoodSaver™-rasiaa, jotta leivonnaisten muoto säilyy hyvänä. Pussia käytettäessä esipakasta leivonnaisia 1-2 tuntia tai kunnes ne ovat kunnolla jäätyneet. Voit säästää aikaa tekemällä pikkuleipätaikin, piirakkapohjan, kokonaisen piirakan tai kuiva-ainesekeitukset etukäteen ja tyhjiöpakkaamalla ne myöhemmä käyttöä varten.

## Vianmääritys

Ongelma	Ratkaisu
Ylikuumentamisen varoitusvalo  syttyy.	<ul style="list-style-type: none"> <li>Laite on ylikuumentunut. Odota ennen käyttöä, että varoitusvalo sammuu.</li> </ul>
Pumppu käy yli 2 minuuttia, mutta ilma ei poistu.	<ul style="list-style-type: none"> <li>Varmista, että pussin avoin pää on syötetty keruustiaan.</li> <li>Varmista, että molemmat tiivisteet ovat kunnolla paikoillaan.</li> <li>Varmista, että vähintään toinen pussin pää on tiivistetty.</li> <li>Avaa yksikkö ja varmista, ettei ylä- eikä alatiivisteissä ole vieraita esineitä, likaa tai roskia.</li> <li>Varmista, että pussin yläosassa on tarpeeksi tilaa (75 mm), jotta se mahtuu keruustiaan, kun kansi on suljettu ja lukittu.</li> <li>Varmista, että järjestelmään ei ole liitetty käsikäyttöistä pakkauslaitetta.</li> <li>Varmista, että kansi on täysin suljettu (vihreä nauha näkyy salvan ympärillä ja vihreä virtavallo palaa).</li> </ul>
Pussi ei tiivisty kunnolla.	<ul style="list-style-type: none"> <li>Pussissa on liikaa nestettä. Pakasta pussin sisältö ennen tyhjiöpakkaamista.</li> <li>Voit estää sauman rypytys venyttämällä pussia varovasti litteäksi samalla, kun syötät pussin keruustiaan, ja pitämällä kiinni pussista, kunnes tyhjiöpumppu käynnistyy.</li> <li>Varmista sauman pitävyys kosteaa ruokaa pakattaessa tekemällä toinen sauma pussin ensimmäisen sauman ylle.</li> </ul>
Kun salpa on suljettu ja painiketta Tyhjiöpakkaa ja sulje tai painiketta Sulje painetaan, mitään ei tapahdu.	<ul style="list-style-type: none"> <li>Varmista, että kansi on täysin suljettu (vihreä nauha näkyy salvan ympärillä ja vihreä virtavallo palaa).</li> </ul>
Jos tarvitset lisää apua:	<ul style="list-style-type: none"> <li>Vieraille osoitteessa <a href="http://www.foodsavereurope.com">www.foodsavereurope.com</a> ja valitse alueesi.</li> </ul>

## Kahvi ja jauhemaiset elintarvikkeet



Voit estää ruoanmurujen joutumisen tyhjiöpumppuun asettamalla suodatinpussin tai talouspaperin palan pussin tai rasian päälle ennen tyhjiöpakkaamista. Voit myös laittaa ruoan sen alkuperäisessä pussissa

FoodSaver™-pussiin tai käyttää FoodSaver™-yleiskantta alkuperäisen astian kanssa tyhjiöpakkaamiseen.

## Nesteet



Ennen kuin tyhjiöpakkaat nesteitä, kuten keittopohjia, esipakasta tuotetta kattilassa, vuoassa tai jääpalalokerikossa, kunnes neste on kiinteää. Irrota jäähtynyt neste astiasta ja tyhjiöpakkaa FoodSaver™-pussiin. Voit pakata

nämä ”jääkuutiot” pakastimeen.

Kun haluat valmistaa ruoan, leikkaa pussin kulma ja aseta astiaan mikroaaltouunissa tai pudota lämpimään poreilevaan veteen, jonka lämpötila on alle 75 °C.

Hiilihapottomien pulloitetujen juomien tyhjiöpakkaamiseen voi käyttää FoodSaver™-pullonkorkkia ja alkuperäistä astiaa.

Muista jättää aina vähintään 25 mm tilaa sisällön ja pullonkorkin pohjan väliin. Voit saumata pulloit uudelleen aina käytön jälkeen.

## Etukäteen valmistetut ateriat, ruoantähteet ja voileivät



Säilytä etukäteen valmistetut ateriat, ruoantähteet ja voileivät tehokkaasti pinottavissa, kevyissä FoodSaver™-astioissa. Astiat ovat mikroaaltouuninkestäviä, ne voidaan pestä astianpesukoneen

ylätelineellä ja niissä on mukana muokattava sovitin.

Kevyet astiat ovat aina valmiita otettavaksi mukaan toimistoon, kouluun tai retkelle.

## Välipalat



Välipalat pysyvät tuoreina pidempään, kun tyhjiöpakkaat ne. Parhaat tulokset saa panemalla murskautuvat tuotteet, kuten keksit, FoodSaver™-rasiaan.

## Takuu

Säilytä tämä kuitti, sillä se on edellytys tämän takuun alaisille reklamaatioille.

Tälle laitteelle myönnetään 2 vuoden takuu ostopäivästä tässä asiakirjassa kuvatulla tavalla.

On epätodennäköistä, että laite lakkaa toimimasta suunnittelu- tai valmistusvirheen takia, mutta jos niin käy, vie laite takaisin ostopaikkaan ja ota mukaan kassakuitti ja tämä takuu.

Tämän takuun alaiset oikeudet ja edut ovat lisä lakisääteisiin oikeuksiin, joihin tämä takuu ei vaikuta.

Ainoastaan Jarden Consumer Solutions (Europe) Limited (”JCS (Europe)”) saa muuttaa näitä ehtoja. JCS (Europe) korjaa tai vaihtaa takuuajan veloituksetta laitteen tai laitteen minkä tahansa osan, joka ei toimi oikein, mikäli:

- ongelmasta ilmoitetaan välittömästi ostopaikkaan tai JCS (Europe) -yhtiölle
- laitetta ei ole muutettu millään tavalla eikä se ole vaurioitunut, sitä ei ole käytetty virheellisesti tai väärin eikä sitä ole korjannut tai muuttanut muu kuin JCS (Europe) -yhtiön valtuuttama henkilö.

Tämä takuu ei kata vikoja, jotka aiheutuvat virheellisestä käytöstä, vaurioista, väärinkäytöstä, käytöstä väärällä jännitteellä, luonnonmullistuksista, tapahtumista, joihin JCS (Europe) ei voi vaikuttaa, muiden kuin JCS (Europe) -yhtiön valtuuttamien henkilöiden tekemästä korjauksesta tai muutoksesta tai siitä, että käyttöohjeita ei ole noudatettu. Lisäksi tämä takuu ei kata normaalia kulumista, kuten pieniä värimuutoksia ja naarmuja.

Tämän takuun alaiset oikeudet koskevat vain alkuperäistä ostajaa, eivätkä oikeudet koske kaupallista käyttöä tai yhteisökäyttöä.

Jos laitteen mukana tuli maakohtainen takuulappu, kyseisen takuun ehdot ovat voimassa tämän takuun sijaan. Voit myös pyytää lisätietoja paikalliselta jälleenmyyjältä.

Käytöstä poistettavia elektroniikkalaitteita ei saa hävittää kotitalousjätteen mukana. Kierrätä mahdollisuuksien mukaan. Kirjoittamalla sähköpostiosoitteeseemme

enquiriesEurope@jardencs.com saat lisätietoja kierrätyksestä ja elektroniikkalaiteromusta.

Jarden Consumer Solutions (Europe) Limited  
5400 Lakeside  
Cheadle Royal Business Park  
Cheadle  
SK8 3GQ  
United Kingdom



## Vigtige Sikkerhedsanvisninger

Dette produkt må anvendes at børn på 8 år og derover, samt personer med fysiske, sansemæssige eller mentale handicap eller manglende erfaring og viden, såfremt vedkommende er under opsyn eller har modtaget anvisninger i forsvarlig brug af apparatet, og vedkommende forstår farerne i forbindelse med brugen. Børn må ikke lege med apparatet. Rengøring og vedligeholdelse må ikke foretages af børn uden opsyn.

Hvis den monterede ledning er beskadiget, skal den udskiftes af producenten, dennes serviceagent eller en lignende kvalificeret person for at undgå sikkerhedsfarer.

- Brug altid apparatet på en stabil, fast, tør og plan overflade.
- **FORSIGTIG: FORSEGLINGSENHEDEN ER IKKE TIL KOMMERCIELT BRUG.** Brug aldrig dette apparat til andet, end det er beregnet til. Dette apparat er kun beregnet til husholdningsbrug. Brug ikke apparatet uden døre.
- Nedsænk aldrig apparatet eller ledningen og stikket i vand eller nogen anden væske.
- Undlad at bruge apparatet, hvis det er blevet tabt, eller hvis det bærer synlige tegn på skader.
- Sørg for, at apparatet er slukket, og at stikket er trukket ud af stikkontakten, inden apparatet rengøres.
- Tag ledningen ud af stikkontakten for at afbryde forbindelsen. Undgå at hive i ledningen for at afbryde forbindelsen.
- Der må ikke anvendes en forlængerledning til dette apparat.
- Brug kun tilbehør eller ekstraudstyr, der er anbefalet af producenten.
- Ved genopvarmning af fødevarer i FoodSaver™-poser er det vigtigt at lægge dem i vand ved lav simretemperatur under 75° C.
- **FØDEVARER I POSER KAN OPTØS, MEN IKKE GENOPVARMES I EN MIKROBØLGEOVN.** Ved optøning af fødevarer i mikrobølgeovn i FoodSaver™-poser er det vigtigt, at den indstilles

til maks. 180 watt (optøningsindstilling) i maks. 2 minutter og med en maksimumtemperatur på 70 °C.

### GEM DENNE BRUGERVEJLEDNING

## FoodSaver™-system til vakuumpforsøg

### Hvorfor vakuumpakke?

Når fødevarer udsættes for luftens påvirkning, mister de næringsstoffer og smag. Det giver også grobund for mange bakterier, mug og gærsvamp. Vakuumpakkeren fra FoodSaver™ fjerner luften og forsejler smagen og kvaliteten. Med et komplet sortiment af FoodSaver™-poser og -beholdere, som giver dig mange muligheder, kan du nu nyde fordelene ved en videnskabeligt dokumenteret metode til fødevarer opbevaring, som holder fødevarer friske op til fem gange længere.

### Med FoodSaver-systemet sparer du tid og penge

- Spar penge. Med FoodSaver™-systemet kan du købe store mængder eller på udsalg og vakuumpakke dine fødevarer i de ønskede portionsstørrelser uden madspild.
- Spar mere tid. Lav mad til hele ugen på forhånd ved at forberede måltiderne og gemme dem i FoodSaver™-poser.
- Marinér på få minutter. Vakuumpakning åbner porerne i fødevarerne, så det kun tager 20 minutter i stedet for en hel nat at frembringe en fantastisk marineret smag.
- Gør det nemt at have gæster. Lav din personlige specialitet på forhånd, så du kan bruge kvalitetstid sammen med dine gæster.
- Nyd sæsonprægede fødevarer eller specialiteter. Sørg for, at ting, der let fordærves eller sjældent anvendes, holder sig friske længere.
- Få portionsstørrelserne under kontrol under slankekuren. Vakuumpak portioner i fornuftige størrelser, og skriv antal kalorier og fedtindhold uden på posen.
- Beskyt nonfood-genstande. Sørg for, at camping- og sejlsportsudstyr forbliver tørt og velorganiseret på udflugter. Beskyt poleret sølv imod misfarvning ved at minimere kontakt med luft.

### FoodSaver™-tilbehør

Få mest muligt ud af dit FoodSaver™-apparat med de brugervenlige poser, beholdere og tilbehør fra FoodSaver™.

## Poser og ruller fra FoodSaver™

Poser og ruller fra FoodSaver™ har særlige kanaler, som gjør det muligt at fjerne luften effektivt. Utdformningen med flere lag gjør dem til en særligt effektiv barriere for ilt og fugt og hjelper med at forhindre frostbrand. Poser og ruller fra FoodSaver™ fås i mange forskjellige størrelser.

## Beholdere fra FoodSaver™

Beholdere fra FoodSaver™ er nemme at bruke og ideelle til vakuumpakning af sarte fødevarer som muffins og andet bagværk, væsker og tørvarer.

## FoodSaver™-lynlåposer

Lynlåposer fra FoodSaver™ har særlige kanaler, som gjør det muligt at fjerne luften effektivt. Utdformningen med flere lag gjør dem til en særligt effektiv barriere for ilt og fugt.

## FoodSaver™-opbevaringsbokse

Opbevaringsbokse fra FoodSaver™ er nemme at bruke og ideelle til vakuumpakning af sarte fødevarer som muffins og andet bagværk, væsker og tørvarer.

## FoodSaver™-flaskepropp

Brug FoodSaver™-flaskepropper til at vakuumpakke vin, væsker uden kulsyre og oljer. Det vil forlænge væskens levetid og bevare smagen. Anvend ikke flaskeproppen i plastikkflasker.

## FoodSaver™-beholder til hurtig marinerung

Beholderen til hurtig marinerung tilfører maten smag på få minutter i stedet for timer ved hjælp af vakuumeffekten, som lader marinaden trænge dybt ind i fødevarerne.

## Bestilling

Hvis du ønsker at bestille poser, ruller og tilbehør fra FoodSaver™, kan du besøge

[www.foodsavereurope.com](http://www.foodsavereurope.com) og vælg Danmark.

## Dele

Se figur 1:

- |                                  |                                      |
|----------------------------------|--------------------------------------|
| <b>A</b> Øvre pakning            | <b>I</b> Strømlampe                  |
| <b>B</b> Uttagbar drypprist      | <b>J</b> Fremdriftslys               |
| <b>C</b> Lokklås                 | <b>K</b> Forseglingsprosesslys       |
| <b>D</b> Nedre pakning           | <b>L</b> Kun forseglingsknapp        |
| <b>E</b> Forseglingsstripe       | <b>M</b> Vakuum og forsegleknapp     |
| <b>F</b> Kontrollpanel           | <b>N</b> Fuktig matknapp             |
| <b>G</b> Tilkobling for tilbehør | <b>O</b> Varsellys for overoppheting |
| <b>H</b> Håndholdt forseglert    |                                      |

## Lage en pose fra en FoodSaver™-rull

Du kan lage dine egne poser i den størrelsen du ønsker fra en FoodSaver™-rull. Henviser til fig. 2:

1. Sett støpselet til vakuumforsegleren din i en stikkontakt. Press på begge låsene **C** og åpne lokket. Plasser den åpne enden av rullen over forseglingsstripen **E** slik at enden av rullen ligger inntil forkanten av den nedre pakningen. Ikke la poseenden komme inn i dryppristen.
2. Lukk lokket helt til låsene **C** spretter ut. Når apparatet er korrekt lukket vil det dukke opp et grønt bånd rundt låsen og den grønne strømlampen **I** vil lyse.
3. Trykk på Kun forsegleknappen **L** eller Vakuum og forsegleknappen **M**.
4. Når det røde prosesslyset **K** slukkes, trykk inn begge låsene og fjern rullen. Enden av rullen vil nå være forseglert.
5. Mål den lengden på det som skal pakkes inn. Legg til 75 mm ekstra for at posen skal kunne forsegles, kutt deretter rullen rett over.

## Bruke vakuumforsegleren din

Henviser til fig. 3:

1. Legg det som skal forsegles ned i posen. Du kan bruke en ferdig FoodSaver™-pose eller lage dine egne poser fra en FoodSaver™-rull.
2. Plasser den åpne enden av posen inn i åpningen til dryppristen **B**.
3. Lukk og lås lokket. Når apparatet er korrekt lukket vil det dukke opp et grønt bånd rundt låsen og den grønne strømlampen **I** vil lyse.
4. Trykk på Vakuum og forsegleknappen **M**.
5. Vakuumpakkeren din vil nå begynne å fjerne luften fra posen og deretter forsegle den. Når fremdriftslysene **J** ikke lenger lyser og det røde forseglingsprosesslyset **K** er slukket, er prosessen ferdig.

## Pakke fuktig mat

Hvis du skal pakke mat som er fuktig eller har mye saft i seg, trykk på Fuktig matknappen **N** FØR du trykker på Vakuum og forsegleknappen.

## Forsegle en pose uten å fjerne luft

For å forsegle en pose uten å trekke ut luften fra den trykker du på Kun forsegleknappen. Du kan forsegle den typen poser som brukes til å pakke snacks som potetgull, tortillachips, etc.

## Forsegle skjøre ting

Noen ting som kaker, brød, kjeks, etc. kan bli knust når de forsegles. For å unngå dett, bruk Kun forsegle-knappen **L** på følgende måte:

1. Følg trinn 1, 2 og 3 i *Bruke vakuumpakkeren din*.
2. Trykk på Kun forsegle-knappen **L** før knusing oppstår. Dette vil umiddelbart stoppe mer luft fra å bli trukket ut, og deretter forsegle posen.

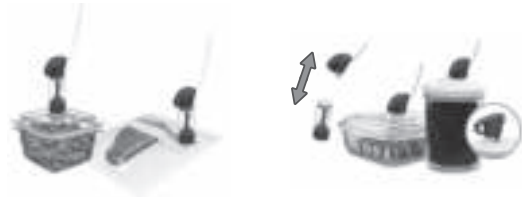
## Bruke FoodSaver™-tilbehør

Sådan vakuumpakkes en lynlåspose eller oppbevaringsboks:

1. Sæt den håndholdte forseglers forbindelsesende **H** i tilbehørsporten **G** på FoodSaver™-apparatet.
2. Placer enden af den håndholdte forseglers over ventilen på tilbehøret, og sørg for, at den sidder godt fast. Følg eventuelle spesifikke instruksjoner, der følger med FoodSaver™-tilbehøret.

Bemærk: Hvis du skal vakuumpakke en FoodSaver™-beholder, skal du tage forseglers beholder (den gennemsigtige nederste del) af ved at trække den ned og væk fra den øverste del. Før forseglers spids ind i beholderens åbning.

3. Trykk på Vakuumpakkeren og forsegle-knappen **M**.
4. Vakuumpakkeren din vil nå begynne å fjerne luften fra posen og deretter forsegle den. Når fremdriftslyset **J** ikke lenger lyser og det røde forseglingsprosesslyset **K** er slukket, er prosessen ferdig.



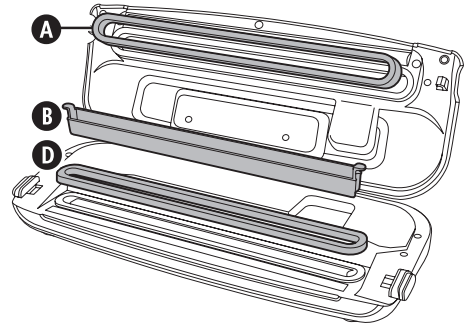
## Stell og rengjøring

**Dypp aldri apparatet eller strømkabelen og støpselet i vann eller annen væske. Ta alltid ut støpselet før rengjøring.**

Tørk over selve apparatet med en myk, tørr klut.

Fjern og tøm dryppristen **B** etter hver bruk. Vask den i varmt såpevann eller sett den i øverste hylle i oppvaskmaskinen. Tørk godt før den settes på plass igjen.

Sjekk den øvre pakningen **A**, den nedre pakningen **D** og rundt dryppristen og pass på at det ikke ligger igjen noen matrester. Tørk ren pakningene med en klut med såpevann om nødvendig. Pakningene må tas ut før rengjøring. Vask dem med varmt såpevann. Tørk dem godt og sett dem på plass igjen



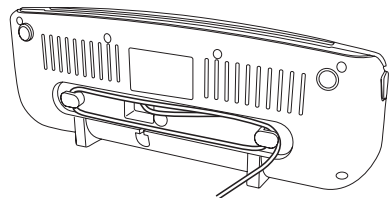
Efter hver brug skal du tage beholderen af den håndholdte forseglers. Vask den i varmt sæbevand, og lufttør den grundigt, inden du sætter den på igen.

Vi anbefaler, at du udskifter pakningerne i dit FoodSaver™-apparat hvert år, for at det fungerer effektivt. Du kan bestille erstatningsvarer på [www.foodsavereurope.com](http://www.foodsavereurope.com).

## Oppbevaring

Lukk lokket til første «klikk» der låsene tar tak men ikke spretter ut slik at det grønne båndet kommer til syne. Dette er tilstrekkelig til å sikre lokket, men unngår sammenpressing av pakningene (noe som kan føre til at apparatet ikke fungerer som det skal).

Vikle ledningen rundt hakene under maskinen. Enheten kan oppbevares på høykant som vist på tegningen.



## Oppbevaringsveiledning, råd og tip

### Vakuumpakning og fødevarerikkerhet

Vakuumpakningsprosessen forlenger fødevarers levetid ved at fjerne det meste av luften fra den forseglede beholder og derved redusere iltning, hvilket påvirker

næringsværdien, smagen og kvaliteten generelt. Når luftens påvirkning fjernes, hæmmer det også mikroorganismers vækst, hvilket kan skabe problemer under bestemte omstændigheder:

For at opbevare fødevarer sikkert er det vigtigt, at du sørger for vedvarende lave temperaturer. Du kan reducere mikroorganismers vækst betydeligt ved temperaturer på 4° C eller lavere.

Frysning ved -17° C slår ikke mikroorganismer ihjel, men det stopper deres vækst. Ved langtidsopbevaring skal letfordærlige fødevarer, som er vakuumpakkede, altid fryses og opbevares i køleskab efter optøning.

Det er vigtigt at huske, at vakuumpakning IKKE er en erstatning for konservering, og det kan ikke omvende fordærvelsesprocessen for fødevarer. Det kan kun forsinke ændringerne i kvaliteten. Det er svært at forudsige, hvor længe fødevarer bibeholder deres optimale smag, udseende eller konsistens, fordi det afhænger af fødevarernes alder og tilstand på den dag, hvor de vakuumpakkes.

Vigtigt: Vakuumpakning er IKKE en erstatning for nedkøling eller nedfrysning. Letfordærlige fødevarer, som kræver nedkøling, skal stadig nedkøles eller nedfryses efter vakuumpakning. For at undgå sygdom bør poser ikke genbruges, hvis de har indeholdt rå kød, rå fisk eller fedtede fødevarer. Genbrug ikke poser, som har været opvarmet i mikrobølgeovn eller vand.

## Optøning og genopvarmning af vakuumpakkede fødevarer



Optø altid fødevarer i køleskabet eller i mikrobølgeovnen - undgå at optø letfordærlige fødevarer ved stuetemperatur.

Fødevarer i poser kan optøs, men ikke genopvarmes i en mikrobølgeovn. Ved optøning af fødevarer i mikrobølgeovn i FoodSaver™-poser er det vigtigt, at den indstilles til maks. 180 watt (optøningsindstilling) i maks. 2 minutter og med en maksimumtemperatur på 70° C. Du kan også genopvarme fødevarer i FoodSaver™-poser ved at lægge dem i vand ved lav simretemperatur under 75° C. Følg eventuelle specifikke instruktioner, der følger med FoodSaver™-poser.

## Retningslinjer for klargøring

### Kød og fisk



Det bedste resultat opnås ved at indfryse kød og fisk i 1-2 timer, inden det vakuumforsegles i en FoodSaver™-pose. Dette hjælper med at bevare saften og formen og sikrer en bedre forsegling. Hvis det er ikke muligt at indfryse fødevarerne på forhånd, skal du anbringe et foldet stykke køkkenrulle mellem kødet eller fisken og toppen af posen, men under forseglingsstedet.

Lad køkkenrullen blive i posen for at absorbere overskydende fugt og safter under vakuumforseglingen.

Bemærk: Oksekød kan se mørkere ud efter vakuumforsegling grundet den manglende ilt. Det betyder ikke, at det er fordærvet.

### Hårde oste



Vakuumforsegl ost efter hver brug for at holde den frisk. Gør FoodSaver™-posen ekstra lang ved at give den 25 mm posemateriale for hver gang, du regner med at skulle åbne og lukke den, ud over de 75 mm, du normalt efterlader mellem indholdet og forseglingen.

Klip blot den forseglede kant af, og tag osten ud. Bagefter lægger du bare osten tilbage i posen og forseglers den igen.

Vigtigt: På grund af risikoen for anaerobe bakterier bør bløde oste aldrig vakuumforsegles.

### Grøntsager



Grøntsager skal blancheres inden vakuumforsegling. Denne proces stopper enzymprocessen, der kan føre til tab af smag, farve og struktur.

Du blancherer grønnsager ved at placere dem i kogende vand eller i mikrobølgeovnen, indtil de er tilberedte, men stadigvæk sprøde. Blanchering tager fra 1 til 2 minutter for bladgrøntsager og ærter; 3 til 4 minutter for sukkerærter, squash i skiver eller broccoli; 5 minutter for gulerødder; og 7 til 11 minutter for majscolber. Efter blancheringen nedsænkes grønnsagerne i koldt vand for at stoppe tilberedningen. Tør til sidst grønnsagerne på et viskestykke, inden de vakuumforsegles.

Bemærk: Alle grønnsager (herunder broccoli, rosenkål, hvidkål, blomkål, grønkål og majoer) udsender naturligt gasser under opbevaring. Derfor skal de efter blancheringen udelukkende opbevares i fryseren.

Ved frysning af grønnsager er det bedst at indfryse dem i 1-2 timer, eller indtil de er helt frosne. Hvis du vil fryse grønnsager i enkeltportioner, skal du først lægge dem på et stykke bagepapir og sprede dem ud, så de ikke rører ved hinanden. Så fryser de ikke sammen i en klump. Når de er frosset, tager du dem af bagepapiret og vakuumforsegler dem i en FoodSaver™-pose. Efter vakuumforsegling skal du lægge dem tilbage i fryseren.

Vigtigt: På grund af risikoen for anaerobe bakterier må friske svampe, løg og hvidløg aldrig vakuumforsegles.

### Bladgrøntsager



Det bedste resultat opnås ved at bruge en beholder til bladgrøntsager. Vask grønnsagerne, og tør dem derefter med et viskestykke eller i en salatslynge. Når de er tørre, lægges de i en FoodSaver™-beholder og vakuumforsegles på normal vis. Opbevares i køleskab.

## Frugt



Ved frysning af blød frugt eller bær er det bedst at indfryse dem i 1-2 timer, eller indtil de er helt frosne. Hvis du vil fryse frugt i enkeltportioner, skal du først lægge det på et stykke bagepapir og sprede stykkerne ud, så de ikke rører ved hinanden. Så fryser de ikke sammen i en klump.

Når de er frosset, tager du dem af bagepapiret og vakuumforsegler dem i en FoodSaver™-pose.

Efter vakuumforsegling skal du lægge dem tilbage i fryseren. Du kan vakuumforsegle enkeltportioner til bagning eller blande frugten, som du bedst kan lide den, til nem frugtsalat året rundt. Hvis frugt opbevares i køleskab, anbefaler vi, at du bruger en FoodSaver™-beholder.

## Bagværk



Til vakuumforsegling af blødt eller luftigt bagværk anbefaler vi en FoodSaver-beholder, så bagværket ikke bliver klemmt.

Hvis der anvendes en pose, skal bagværket indfrysnes i 1-2 timer, eller indtil det er helt frossent. Du kan spare tid ved at lave småkagedej, tærtebunde, hele tærter eller blande tørre ingredienser på forhånd og vakuumforsegle dem til senere brug.

## Kaffe og fødevarer i pulverform



Placer et kaffefilter eller en papirserviet i toppen af posen eller beholderen før vakuumforsegling for at forhindre, at fødevearepartikler suges ind i vakuumpumpen. Du kan også anbringe fødevarer i den oprindelige pose i en FoodSaver™-pose eller bruge et FoodSaver™-universallåg med den oprindelige holder til vakuumforsegling.

## Væsker




Før du vakuumforsegler væsker som suppefond, skal de indfrysnes i et fad, en brødform eller en isterningbakke, til de er helt frosne. Tag den frosne væske ud af den pågældende beholder, og vakuumforsegl den i en FoodSaver™-pose. Du kan stable disse "isklodser" i fryseren.

Når du er klar til at bruge dem, skal du blot klippe et hjørne af posen og lægge den i et fad i mikrobølgeovn eller lægge den i vand ved lav simretemperatur under 75° C.

Hvis du skal vakuumforsegle væsker uden kulsyre, kan du bruge en FoodSaver™-flaskeprop med den originale beholder.

## Fejlfinding

Problem	Løsning
Advarslampen for overophedning  tændes.	<ul style="list-style-type: none"><li>• Enheden er overophedet. Vent, indtil advarslampen for overophedning slukkes før brug.</li></ul>
Pumpen kører i mere end 2 minutter, uden at luft bliver fjernet.	<ul style="list-style-type: none"><li>• Sørg for, at den åbne ende af posen er indført i drypbakken.</li><li>• Kontroller, at begge forseglingslameller sidder korrekt.</li><li>• Kontroller, at mindst en af posens ender er forseglet.</li><li>• Åbn enheden, og kontroller, at der ikke er fremmedelementer, snavs eller affald på den øverste eller nederste forseglingslamel.</li><li>• Sørg for, at der er nok plads i toppen af posen (75 mm), så den passer i drypbakken med låget lukket og fastgjort.</li><li>• Sørg for, at den håndholdte forseglingslamelle ikke er monteret.</li><li>• Sørg for, at låget er helt lukket (det grønne bånd kan ses rundt om lukkemekanismen, og den grønne strømindikator er tændt).</li></ul>
Posen er ikke forseglet korrekt.	<ul style="list-style-type: none"><li>• Der er for meget væske i posen. Frys posens indhold, inden det vakuumpakkes.</li><li>• Stræk forsigtigt posen flad, imens den indsættes i drypbakken, og fortsæt med at holde posen, indtil vakuumpumpen starter, for at forhindre folder i forseglingen.</li><li>• Lav en ny forsegling oven for den første forsegling på posen for at sikre, at den er forseglet korrekt, når fugtige fødevarer forsegles.</li></ul>
Der sker intet, når lukkemekanismen er lukket, og der trykkes på knappen til vakuumpakning og forsegling eller knappen til forsegling alene.	<ul style="list-style-type: none"><li>• Sørg for, at låget er helt lukket (det grønne bånd kan ses rundt om lukkemekanismen, og den grønne strømindikator er tændt).</li></ul>
Hvis du har brug for hjælp:	<ul style="list-style-type: none"><li>• Besøg <a href="http://www.foodsaver europe.com">www.foodsaver europe.com</a>, og vælg Danmark.</li></ul>



Husk, at der skal være mindst 25 mm frirum mellem indholdet og bunden af flaskeproppen. Du kan forsegle flasker igen efter hver brug.

## Færdigretter, madrester og sandwich



Gem færdiglavede retter, rester og sandwich på en effektiv måde i de lette FoodSaver™-opbevaringsbokse, der kan stables. De kan bruges i mikrobølgeovn og vaskes i opvaskemaskine på den øverste hylde, og de leveres med en specialfremstillet adapter.

Du kan i et snuptag tage de lette opbevaringsbokse til kontoret, i skole eller på picnic!

## Snacks



Dine snacks vil holde sig friske længere, hvis du vakuumforsegler dem. Pak varer som f.eks. kiks, der kan knuses, i en FoodSaver™-beholder for at få de bedste resultater.

## Garanti

Gem venligst din kvittering, da den skal fremvises ved fremsættelse af eventuelle krav i forbindelse med garantien.

Dette udstyr er omfattet af garantien i to år efter købet, sådan som det er beskrevet i dette dokument.

Hvis udstyret i løbet af denne garantiperiode mod forventning skulle holde op med at fungere på grund af design- eller produktionsfejl, skal du returnere det til købsstedet sammen med købskvitteringen og en kopi af dette garantibevis.

Rettighederne og fordelene ifølge denne garanti er et supplement til dine lovbestemte rettigheder, som ikke bliver påvirket af denne garanti. Kun Jarden Consumer Solutions (Europe) LIMITED ("JCS (Europe)") har ret til at ændre disse betingelser.

I garantiperioden varetager JCS (Europe) at reparere eller udskifte udstyret eller enhver del af udstyret, som ikke fungerer korrekt, uden krav om betaling, forudsat at:

- du straks underretter købsstedet eller JCS (Europe) om problemet og
- udstyret ikke er blevet ændret på nogen måde eller udsat for beskadigelse, forkert brug, misbrug, reparation eller ændringer, der er foretaget af en person, der ikke er autoriseret af JCS (Europe).

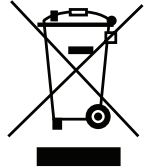
Fejl, der opstår på grund af forkert brug, beskadigelse, misbrug, anvendelse af forkert spænding, naturfænomener, hændelser uden for JCS (Europe)s kontrol, reparation eller ændringer, der er foretaget af en person, der ikke er autoriseret af JCS (Europe), eller manglende overholdelse af brugsanvisningerne er ikke dækket af garantien.

Derudover dækkes normalt slid, herunder men ikke begrænset til mindre misfarvning eller ridser, ikke af denne garanti. Rettighederne ifølge denne garanti gælder kun for den oprindelige køber og omfatter ikke kommerciel eller kommunal anvendelse.

Hvis dit udstyr er omfattet af en garanti eller et garantibevis, der kun gælder for det pågældende land, skal du referere til vilkårene og betingelserne for en sådan garanti/et sådant garantibevis i stedet for denne garanti eller kontakte din lokale forhandler for at få flere oplysninger.

Brugte elektriske produkter må ikke bortskaffes sammen med husholdningsaffaldet. Benyt venligst en genbrugsordning, hvis en sådan findes. Send en e-mail til os på [enquiriesEurope@jardencs.com](mailto:enquiriesEurope@jardencs.com) for at få yderligere oplysninger om genbrug og WEEE.

Jarden Consumer Solutions (Europe) Limited  
5400 Lakeside  
Cheadle Royal Business Park  
Cheadle  
SK8 3GQ  
United Kingdom



## Viktige Sikkerhetsinstruksjoner

Dette produktet kan brukes av barn fra 8 år og oppover og personer med reduserte fysiske, sensoriske eller mentale evner eller manglende erfaring og kunnskap hvis de er under oppsyn eller er gitt instruksjoner om bruk på en trygg måte og forstår farene involvert. Barn skal ikke leke med produktet. Rengjøring og vedlikehold skal ikke foretas av barn uten oppsyn.

Hvis tilførselsslagen er skadet må den erstattes av produsenten, en servicetekniker eller lignende kvalifisert person for å unngå skade.

- Bruk alltid apparatet på en stabil, sikker, tørr og jevn overflate.
- **FORSIKTIG: DETTE FORSEGLINGSAPPARATET ER IKKE FOR KOMMERSIELL BRUK.** Bruk aldri dette apparatet til noe annet enn tiltenkt bruk. Dette apparatet er kun for husholdningsbruk. Ikke bruk apparatet utendørs.
- Dypp aldri apparatet eller strømkabelen og støpselet i vann eller annen væske.
- Ikke bruk apparatet hvis det har falt i gulvet eller hvis det har synlige tegn på skader.
- Sørg for at apparatet er slått av og frakoblet strømmen etter bruk, før rengjøring.
- Ta støpselet ut av stikkontakten for å koble fra. Trekk ikke i ledningen når du tar ut støpselet.
- Ikke bruk en skjøteledning sammen med apparatet.
- Bruk kun tilbehør eller utstyr som er anbefalt av produsenten.
- Når du varmer opp mat i FoodSaver™-poser må du passe på å legge dem i vann ved lave temperaturer under 75 °C (170 °F).
- **MAT I POSER KAN TINES, MEN IKKE VARMES OPP IGJEN I MIKROBØLGEOVN.** Når du tiner mat i mikrobølgeovnen i FoodSaver™-poser, må du passe på ikke å overstige en maksimumseffekt på 180 watt (innstilling for tining), i maksimalt 2 minutter og en maksimumstemperatur på 70 °C (158 °F).

### TA VARE PÅ DISSE INSTRUKSJONENE

## FoodSaver™ vakuumforseglingssystem

### Hvorfor vakuumpakke?

Lufteksponering gjør at mat mister næringsverdi og smak, og i tillegg gjør luften mange bakterier, mugg- og gjærsopper i stand til å vokse. FoodSaver™-vakuumpakkingssystemet fjerner luft og lukker smaken og kvaliteten inne. Med et bredt utvalg FoodSaver™-poser og beholdere, kan du nå glede deg over fordelene med en vitenskapelig bevist matlagingsmetode som holder maten fersk opptil fem ganger lengre.

### FoodSaver-systemet sparer tid og penger

- Bruk mindre penger. Med FoodSaver™-systemet kan du kjøpe inn stort eller på salg, og vakuumpakke maten din i passende porsjoner uten å måtte kaste mat.
- Spar mer tid. Lag mat for hele uken, forbered måltider og oppbevar dem i FoodSaver™-poser.
- Mariner på minutter. Vakuumpakking åpner opp porene i maten slik at du kan få den herlige marinerte smaken på bare 20 minutter i stedet for over natten.
- Gjør det enkelt å ha selskap. Lag signaturretten din på forhånd, slik at du kan bruke tiden sammen med gjestene dine.
- Nyt sesongvarer og spesialiteter. Du kan holde matvarer som fort blir dårlige eller som du sjelden bruker ferske lengre.
- Kontrollerte porsjoner for slanking. Vakuumpakk i passende porsjoner, og skriv kalori- og fettinnholdet på posen.
- Beskytt andre ting enn matvarer. Hold camping- og båtutstyr tørt og organisert når du drar på tur. Beskytt polert sølv mot anløp gjennom å redusere kontakten med luft.

## FoodSaver™-tilbehør

Få mest mulig ut av FoodSaver™-apparatet ditt med FoodSaver™-poser, -beholdere og -tilbehør.

### FoodSaver™-poser og -ruller

FoodSaver™-poser og -ruller har spesielle kanaler som gjør det enklere å fjerne luften effektivt. Flere lag holder oksygen og fuktighet effektivt ute, og dette beskytter mot fryseskader. FoodSaver™-poser og -ruller er tilgjengelige i mange forskjellige størrelser.

## FoodSaver™-beholdere

FoodSaver™-beholdere er lett å bruke og ideelle til å vakuumpakke delikate ting som muffins og andre bakevarer, væsker og tørrvarer.

## FoodSaver™-ferskhetsposer med glidelås

FoodSaver™-ferskhetsposer med glidelås har spesielle kanaler for å fjerne luft effektivt og enkelt. Flere lag holder oksygen og fuktighet effektivt ute.

## FoodSaver™-ferskhetsbeholdere

FoodSaver™-ferskhetsbeholdere er enkle å bruke og ideelle for å vakuumpakke delikate matvarer, så som muffins og andre bakevarer, væsker og tørrvarer.

## FoodSaver™-flaskestopper

Bruk FoodSaver™-flaskestopperen til å vakuumpakke vin, drikker uten kullsyre og oljer. Dette vil forlenge væskens levetid og bevare smaken. Ikke bruk flaskestopperen på plastflasker.

## FoodSaver™-hurtigmarinerer

Hurtigmarinereren fyller maten med smak på minutter i stedet for timer, ved bruk av vakuumpakke som får marinadene til å trenge dypt inn i maten.

## Bestilling

For å bestille FoodSaver™-poser, -ruller og -tilbehør, vennligst besøk [www.foodsaverurope.com](http://www.foodsaverurope.com) og velg regionen din.

## Deler

Henviser til fig. 1:

- |                                  |  |
|----------------------------------|--|
| <b>A</b> Øvre pakning            | <b>I</b> Strømlampe                      |
| <b>B</b> Uttagbar drypprist      | <b>J</b> Fremdriftslys                   |
| <b>C</b> Lokklås                 | <b>K</b> Forseglingssystem               |
| <b>D</b> Nedre pakning           | <b>L</b> Kun forsegling-knapp            |
| <b>E</b> Forseglingstripe        | <b>M</b> Vakuumpakke og forsegling-knapp |
| <b>F</b> Kontrollpanel           | <b>N</b> Fuktig mat-knapp                |
| <b>G</b> Tilkobling for tilbehør | <b>O</b> Varsel for overoppheting        |
| <b>H</b> Håndholdt forsegler     |  |

## Lage en pose fra en FoodSaver™-rull

Du kan lage dine egne poser i den størrelsen du ønsker fra en FoodSaver™-rull. Henviser til fig. 2:

1. Sett støpselet til vakuumpakkeren din i en stikkontakt. Press på begge låsene **C** og åpne lokket. Plasser den åpne enden av rullen over forseglingstripen **E** slik at enden av rullen ligger inntil forkanten av den nedre pakningen. Ikke la poseenden komme inn i dryppristen.
2. Lukk lokket helt til låsene **C** spretter ut. Når apparatet er korrekt lukket vil det dukke opp et grønt bånd rundt låsen og den grønne strømlampen **I** vil lyse.
3. Trykk på Kun forsegling-knappen **L** eller Vakuumpakke og forsegling-knappen **M**.
4. Når det røde prosesslyset **K** slukkes, trykk inn begge låsene og fjern rullen. Enden av rullen vil nå være forseglet.
5. Mål den lengden på det som skal pakkes inn. Legg til 75 mm ekstra for at posen skal kunne forsegles, kutt deretter rullen rett over.

## Bruke vakuumpakkeren din

Henviser til fig. 3:

1. Legg det som skal forsegles ned i posen. Du kan bruke en ferdig FoodSaver™-pose eller lage dine egne poser fra en FoodSaver™-rull.
2. Plasser den åpne enden av posen inn i åpningen til dryppristen **B**.
3. Lukk og lås lokket. Når apparatet er korrekt lukket vil det dukke opp et grønt bånd rundt låsen og den grønne strømlampen **I** vil lyse.
4. Trykk på Vakuumpakke og forsegling-knappen **M**.
5. Vakuumpakkeren din vil nå begynne å fjerne luften fra posen og deretter forsegle den. Når fremdriftslysene **J** ikke lenger lyser og det røde forseglingssystemet **K** er slukket, er prosessen ferdig.

## Pakke fuktig mat

Hvis du skal pakke mat som er fuktig eller har mye saft i seg, trykk på Fuktig mat-knappen **N** FØR du trykker på Vakuumpakke og forsegling-knappen. "

## Forsegle en pose uten å fjerne luft

For å forsegle en pose uten å trekke ut luften fra den trykker du på Kun forsegling-knappen. Du kan forsegle den typen poser som brukes til å pakke snacks som potetgull, tortillachips, etc.

## Forsegle skjøre ting

Noen ting som kaker, brød, kjeks, etc. kan bli knust når de forsegles. For å unngå dett, bruk Kun forsegle-knappen **L** på følgende måte:

1. Følg trinn 1, 2 og 3 i *Bruke vakuumpakkeren din*.
2. Trykk på Kun forsegle-knappen **L** før knusing oppstår. Dette vil umiddelbart stoppe mer luft fra å bli trukket ut, og deretter forsegle posen.

## Bruke FoodSaver™-tilbehør

Slik vakuumpakker du glidelåsposer for ferskvarer eller beholdere for ferskvarer:

1. Sett kontaktenden av den håndholdte forsegleren **H** i tilbehørsporten **G** på FoodSaver™-apparatet.
2. Plasser enden av den håndholdte forsegleren over ventilen på tilbehøret og sørg for at den er forsvarlig tilkoblet. Følg instruksjonene som fulgte med FoodSaver™-tilbehøret.  
Merk: For å vakuumpakke en FoodSaver™-beholder fjerner du beholderen (den gjennomsiktige bunndelen) av forsegleren ved å dra den ned og av den øvre delen. Sett spissen av forsegleren inn i åpningen på beholderen.
3. Trykk på Vakuumpakker og forsegle-knappen **M**.
4. Vakuumpakkeren din vil nå begynne å fjerne luften fra posen og deretter forsegle den. Når fremdriftslysene **I** ikke lenger lyser og det røde forseglingsprosesslyset **K** er slukket, er prosessen ferdig.

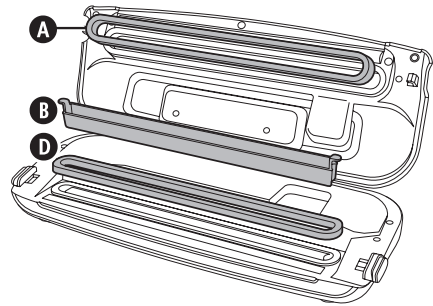
## Stell og rengjøring

**Dypp aldri apparatet eller strømkabelen og støpselet i vann eller annen væske. Ta alltid ut støpselet før rengjøring.**

Tørk over selve apparatet med en myk, tørr klut.

Fjern og tøm dryppristen **B** etter hver bruk. Vask den i varmt såpevann eller sett den i øverste hylle i oppvaskmaskinen. Tørk godt før den settes på plass igjen.

Sjekk den øvre pakningen **A**, den nedre pakningen **D** og rundt dryppristen, og pass på at det ikke ligger igjen noen matrester. Tørk ren pakningene med en klut med såpevann om nødvendig. Pakningene må tas ut før rengjøring. Vask dem med varmt såpevann. Tørk dem godt og sett dem på plass igjen.



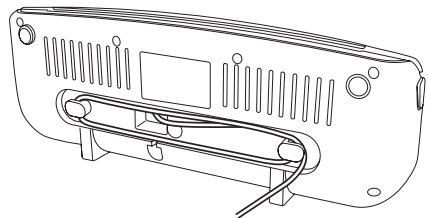
Fjern beholderen fra den håndholdte forsegleren etter hver bruk. Vask den med varmt såpevann og tørk den helt før du setter den på plass igjen.

Vi anbefaler, at du udskifter pakningene i dit FoodSaver™-apparat hvert år, for at det fungerer effektivt. Du kan bestille erstatningsvarer på [www.foodsavereurope.com](http://www.foodsavereurope.com).

## Oppbevaring

Lukk lokket til første «klikk» der låsene tar tak men ikke spretter ut slik at det grønne båndet kommer til syne. Dette er tilstrekkelig til å sikre lokket, men unngår sammenpressing av pakningene (noe som kan føre til at apparatet ikke fungerer som det skal).

Vikle ledningen rundt hakene under maskinen. Enheten kan oppbevares på høykant som vist på tegningen.



## Oppbevaring, hint og tips

### Vakuumpakking og matvaresikkerhet

Vakuumpakningsprosessen forlenger levetiden til matvarer ved å fjerne mesteparten av luften fra den forseglede beholderen, og på denne måten redusere oksidasjonen som påvirker næringsverdi, smak og kvalitet

generelt. Ved å fjerne luft kan man også begrense veksten av mikroorganismer, som kan føre til problemer under visse forhold:

For å bevare mat på en trygg måte er det meget viktig at du opprettholder lave temperaturer. Du kan begrense veksten av mikroorganismer signifikant ved temperaturer på 4 °C og lavere.

Å fryse mat ved -17 °C dreper ikke mikroorganismer, men hindrer videre vekst. Hvis du skal lagre mat over lang tid må du alltid fryse mat som fort blir dårlig etter at den er vakuumpakket, og oppbevare den i kjøleskap etter tining.

Det er viktig å merke seg at vakuumpakking IKKE er en erstatning for hermetisering, og kan ikke reversere nedbrytningen av matvarer. Det kan kun bremse kvalitetsendringen. Det er vanskelig å forutsi hvor lenge matvarer vil beholde smak av topp kvalitet, utseende og konsistens da dette er avhengig av matens alder og tilstand den dagen den ble vakuumpakket.

Viktig: Vakuumpakking er ikke en erstatning for nedkjøling eller frysing. All mat som kan bli dårlig og som krever nedkjøling må fremdeles oppbevares i kjøleskap eller fryser etter vakuumpakking. For å unngå sykdom må ikke poser brukes på nytt etter å ha lagret rått kjøtt, rå fisk eller mat med mye olje/fett. Ikke bruk poser som har vært i mikrobølgeovn eller blitt varmet opp i gryte på nytt.

## Tine og varme opp vakuumpakket mat



Tining – tin alltid mat i kjøleskap eller i mikrobølgeovn – ikke tin mat som kan bli dårlig i romtemperatur.

Mat i poser kan tines, men ikke varmes opp igjen i mikrobølgeovn. Når du tiner mat i mikrobølgeovnen i FoodSaver™-poser, må du passe på ikke å overstige en maksimumseffekt på 180 watt (innstilling for tining), i maksimalt 2 minutter og en maksimumstemperatur på 70 °C (158 °F). Du kan også varme opp mat i FoodSaver™-poser ved å legge dem i vann ved lave temperaturer på under 75 °C (170 °F). Følg instruksjonene som fulgte med FoodSaver™-poser.

## Retningslinjer for klargjøring

### Kjøtt og fisk



For best mulig resultat bør du fryse ned kjøtt og fisk i 1-2 timer før du vakuumpakker i en FoodSaver™-pose. Dette bidrar til å holde kjøttet saftig, og garanterer bedre forsegling. Dersom du ikke kan fryse kjøttet eller fisken på forhånd, må du plassere tørkepapir mellom toppen av posen og kjøttet eller fisken (under forseglingsområdet).

Legg et tørkepapir i posen for å absorbere ekstra fuktighet og safter under vakuumpakkingprosessen.

Merk: Storfekjøtt kan se mørkere ut etter vakuumpakking på grunn av at oksygen fjernes. Dette er ikke en indikasjon på at kjøttet er blitt dårlig.

### Harde oster



Vakuumpakk osten hver gang du har brukt den, så holder den seg fersk. Lag en ekstra lang FoodSaver™-pose, med 25 mm posemateriale for hver gang du planlegger å åpne og forsegle den igjen, i tillegg til 75 mm som du alltid har mellom innholdet og forseglingen.

Klipp den forseglede kanten og ta ut osten. Når du er klar til å forsegle osten igjen, legger du den bare i posen og lukker den.

Viktig: På grunn av risikoen for anaerobiske bakterier, skal myke oster aldri vakuumpakkes.

### Grønnsaker



Grønnsaker må forvelles før vakuumpakking. Det stopper enzymet som kan føre til tap av smak, farge og konsistens.

For å forvelle grønnsaker, plasser dem i kokende vann eller i mikrobølgeovnen til de er kokte, men fremdeles harde. Hvor lang tid det tar å forvelle varierer. Fra 1 til 2 minutter for bladgrønnsaker og erter; 3 til 4 minutter for sukkererter, oppskåret squash eller brokkoli; 5 minutter for gulrøtter; og 7 til 11 minutter for maiskolbe. Etter forvelling legg grønnsakene i kaldt vann for å stoppe kokeprosessen. Til slutt tørker du grønnsakene med et håndkle før vakuumpakking.

Merk: Noen matvarer (herunder brokkoli, rosenkål, kål, blomkål, grønnkål og kålrot) avgir gasser naturlig under lagring. De må derfor alltid oppbevares i fryseren etter forvelling.

Når grønnsaker skal frysas, er det best å forhåndsfryse dem i 1-2 timer, eller til de er stivfrosne. For å fryse grønnsaker i individuelle porsjoner, legg dem først på en bakeplate og sprø dem ut slik at de ikke berører hverandre. Dette forhindrer at de fryser sammen i en klump. Når de er frosset, fjerner du dem fra bakeplaten og vakuumpakker dem i en FoodSaver™-pose. Når de er vakuumpakket, legger du dem tilbake i fryseren.

Viktig: På grunn av risikoen av anaerobiske bakterier, skal fersk sopp, løk og hvitløk aldri vakuumpakkes.

### Bladgrønnsaker



For å oppnå best mulig resultat, bør du bruke en beholder til å oppbevare bladgrønnsaker. Vask grønnsakene først og tørk dem deretter med et håndkle eller i en salatspinnebolle. Etter at de er tørket, plasser dem i en beholder og vakuumpakk som normalt. Oppbevares i kjøleskap.

## Frukt



Når myke frukter eller bær skal fryses, er det best å forhåndsfryse dem i 1-2 timer, eller til de er stivfrosne. For å fryse frukt i individuelle porsjoner, legg dem først på en bakeplate og spre dem ut slik at de ikke berører hverandre.

Dette forhindrer at de fryser sammen i en klump.

Når de er frosset, fjerner du dem fra bakeplaten og vakuumpakker dem i en FoodSaver™-pose.


Når de er vakuumpakket, legger du dem tilbake i fryseren. Du kan også vakuumpakke porsjonspakker med frukt for baking, eller ferdig blandet så du kan lage en enkel fruktsalat året rundt. Ved oppbevaring i kjøleskap, anbefaler vi å bruke en FoodSaver™-beholder.

## Bakervarer



Når du skal vakuumpakke myke og luftige bakervarer, anbefaler vi å bruke en FoodSaver™-beholder, slik at de holder på fasongen. Hvis du bruker en pose, må de forhåndsfryses i 1-2 timer eller til de er stivfrosne. Hvis du vil spare tid, lag kakedeig, paibunner, hele paier, eller bland sammen tørre ingrediensene på forhånd og vakuumpakk for senere bruk.

## Problemløsning

Problem	Løsning
Varsellyset for overoppheting  slår seg på.	<ul style="list-style-type: none"><li>• Enheten er overopphettet Vent til varsellyset for overoppheting er slukket før du bruker maskinen igjen.</li></ul>
Pumpen går i mer enn 2 minutter uten at luft fjernes.	<ul style="list-style-type: none"><li>• Pass på at den åpne enden av posen er plassert i dryppeskålen.</li><li>• Sjekk at begge pakningene sitter som de skal.</li><li>• Kontroller at minst en av poseendene er forseglet.</li><li>• Åpne enheten og kontroller at det ikke er fremmedlegemer, skitt eller matbiter på de øvre eller nedre pakningene.</li><li>• Åpne enheten og kontroller at det er nok rom i toppen av posen (75 mm), slik at den passer i dryppeskålen når lokket er lukket og festet.</li><li>• Sørg for at den håndholdte forsegleren ikke er tilkoblet.</li><li>• Pass på at lokket er helt lukket (det grønne båndet vises rundt smekklåsen og den grønne på-lampen lyser).</li></ul>
Posen er ikke skikkelig forseglet.	<ul style="list-style-type: none"><li>• Det er for mye væske i posen. Frys innholdet i posen før vakuumpakking.</li><li>• For å unngå rynker i forseglingen kan du strekke posen forsiktig ut så den blir flat, mens du legger den i dryppeskålen og fortsetter å holde i posen til vakuumpumpen starter.</li><li>• Lag en forsegling til over den første forseglingen for å være sikker på at forseglingen er tett når du forsegler fuktig mat.</li></ul>
Ingen ting hender når smekklåsen er lukket og vakuumpakknappene eller kun- forsegling-knappen trykkes inn.	<ul style="list-style-type: none"><li>• Pass på at lokket er helt lukket (det grønne båndet vises rundt smekklåsen og den grønne på-lampen lyser).</li></ul>
Hvis du trenger mer hjelp:	<ul style="list-style-type: none"><li>• Gå til <a href="http://www.foodsavereurope.com">www.foodsavereurope.com</a> og velg området ditt.</li></ul>

## Kaffe og matvarer i pulverform



For å unngå at matpartikler suges inn i vakuumpumpen, kan du plassere et kaffefilter eller papirhåndkle ved toppen av posen eller beholderen før vakuumpakking. Du kan også vakuumpakke mat som er i sin

opprinnelige innpakning i en FoodSaver™-pose eller et universalt FoodSaver™-lokk med den opprinnelige beholderen.

## Væsker



Før du vakuumpakker væsker, f.eks. suppe eller kraft, må den forhåndsfryses i en kasserolle, en brødform eller et isbitform.

Fjern frosne væsker fra kasserollen og vakuumpakk i en FoodSaver™-pose. Du kan stable disse frosne pakkene i fryseren.

Når du vil bruke væsken, skjærer du bare av et hjørne på posen og plasserer den i en mikrobølgeovn eller i vann som småkoker med lavere temperatur enn 75 °C (170 °F).

Hvis du vil vakuumpakke drikker uten kullsyre, kan du bruke en FoodSaver™-flaskestopper med den opprinnelige beholderen.

Det må være minst 25 mm mellomrom mellom innholdet og bunnen av flaskestopper-tilbehøret. Du kan forsegle flasken igjen etter hver bruk.

## Forhåndspreparerte måltider, rester og smørbrød



Du kan oppbevare forhåndspreparerte måltider, rester og smørbrød på en effektiv måte i FoodSaver™-beholdere som er enkle å stable. De tåler mikrobølgeovnen, kan vaskes på den øvre hyllen i oppvaskmaskin

og leveres med en tilpasset adapter.

De lette beholderne er klare til å tas med på jobb, skolen eller campingturer.

## Snacks



Snacks holder seg ferskere over lengre perioder hvis du vakuumpakker dem. For beste mulige resultater bør du bruke en FoodSaver™-beholder for ting som kan knuses, f.eks. kjeks.

## Garanti

Ta vare på kvitteringen da den kreves ved eventuelle garantikrav.

Dette apparatet har en garanti på to år etter kjøpsdato, som beskrevet i dette dokumentet.

Om apparatet slutter å fungere i løpet av garantiperioden på grunn av en design- eller produksjonsfeil, ta apparatet tilbake til kjøpsstedet sammen med kvitteringen og en kopi av denne garantien.

Rettighetene og fordelene under denne garantien er i tillegg til dine lovfestede rettigheter, som ikke påvirkes av denne garantien. Det er bare Jarden Consumer Solutions (Europe) Limited (JCS (Europe)) som har rett til å endre disse vilkårene.

JCS (Europe) påtar seg, i garantiperioden, å reparere eller erstatte apparatet eller noen del av apparatet som ikke fungerer som det skal, kostnadsfritt, gitt at:

- du raskt gir beskjed til kjøpsstedet eller JCS (Europe) om problemet, og
- apparatet ikke har blitt endret på noen måte eller utsatt for skade, feil bruk, misbruk, reparasjoner eller ombygging utført av noen andre enn personer autorisert av JCS (Europe).

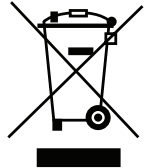
Feil som inntreffer på grunn av feil bruk, skade, misbruk, bruk med feil spenning, naturulykker, hendelser utenfor JCS (Europe) sin kontroll, reparasjoner eller ombygging utført av noen andre enn personer autorisert av JCS (Europe) eller unnlattelse å følge bruksinstruksjonene, dekkes ikke av denne garantien.

I tillegg dekkes ikke normal slitasje, inkludert, men ikke begrenset til, mindre misfarging og skraper, av denne garantien.

Rettighetene under denne garantien skal kun gjelde for den opprinnelige kjøperen, og skal ikke utvides til kommersielt eller offentlig bruk. Hvis apparatet ditt inkluderer et landsspesifikt garantiark, se vilkårene i en slik garanti i stedet for denne garantien, eller ta kontakt med din lokale autoriserte forhandler for mer informasjon.

Elektriske produkter skal ikke avhendes sammen med husholdningsavfall. Lever elektriske produkter ved egnede anlegg. Send oss en e-post på [enquiriesEurope@jardencs.com](mailto:enquiriesEurope@jardencs.com) for mer informasjon om resirkulering og WEEE.

Jarden Consumer Solutions (Europe) Limited  
5400 Lakeside  
Cheadle Royal Business Park  
Cheadle  
SK8 3GQ  
United Kingdom



## **WAŻNE ZASADY BEZPIECZEŃSTWA**

Urządzenie to może być używane przez dzieci od 8. roku życia oraz osoby o ograniczonej sprawności fizycznej, czuciowej lub psychicznej lub osoby niemające doświadczenia ani wiedzy, pod warunkiem że korzystają z urządzenia pod nadzorem lub zostały poinstruowane odnośnie do bezpiecznego używania urządzenia oraz mają świadomość ryzyka związanego z jego użytkowaniem. Dzieci nie powinny bawić się urządzeniem. Dzieci nie powinny czyścić ani konserwować urządzenia bez nadzoru.

W celu uniknięcia zagrożenia uszkodzony przewód zasilający może być wymieniony jedynie przez producenta, autoryzowany serwis lub wykwalifikowaną osobę.

- Zawsze używaj urządzenia na stabilnej, bezpiecznej, suchej i poziomej powierzchni.
- PRZESTROGA: NINIEJSZY SYSTEM PAKOWANIA NIE JEST PRZEZNACZONY DO UŻYTKU KOMERCYJNEGO. Nigdy nie używaj urządzenia niezgodnie z przeznaczeniem. Urządzenie jest przeznaczone wyłącznie do użycia w gospodarstwie domowym. Nie wolno go używać na zewnątrz.
- Nie zanurzaj urządzenia, przewodu ani wtyczki w wodzie ani w żadnej cieczy.
- Nie używaj urządzenia, które zostało upuszczone lub ma widoczne oznaki uszkodzenia.
- Przed czyszczeniem urządzenie musi zostać wyłączone i odłączone od gniazda zasilania.
- Aby rozłączyć, odłącz przewód od gniazda elektrycznego. Nie rozłączaj, pociągając za przewód.
- Nie używaj urządzenia z przedłużaczem.
- Stosuj wyłącznie akcesoria i dodatki zalecane przez producenta.
- Podczas podgrzewania żywności w torebkach FoodSaver™ należy pamiętać o zanurzeniu ich w lekko podgrzanej wodzie o temperaturze poniżej 75°C (170°F).
- PRODUKTY SPOŻYWCZE W TOREBCE MOŻNA ROZMROZIĆ W KUCHENIE MIKROFALOWEJ,

ALE NIE NALEŻY ICH PODGRZEWAĆ. Podczas rozmrażania w kuchenie mikrofalowej produktów spożywczych umieszczonych w torebkach FoodSaver™ należy pamiętać, by nie przekraczać mocy 180 W, maksymalnego czasu 2 minut i temperatury 70°C (158°F).

### **ZACHOWAJ TĘ INSTRUKCJĘ**

## **System pakowania próżniowego FoodSaver™**

### **Zalety pakowania próżniowego**

Kontakt z powietrzem powoduje utratę składników odżywczych i aromatu, a także umożliwia rozwój różnych bakterii, pleśni i drożdży. System pakowania próżniowego FoodSaver™ usuwa powietrze, zachowując aromat i jakość. Szeroka gama torebek i pojemników FoodSaver™ oferuje różne opcje i pozwala na korzystanie ze sprawdzonej metody przechowywania żywności, która zapewnia świeżość nawet pięciokrotnie dłużej.

### **System FoodSaver™ to oszczędność czasu i pieniędzy**

- Mniejsze koszty. System FoodSaver™ pozwala na kupowanie w hurcie lub na wyprzedających i pakowanie żywności w odpowiednich porcjach bez marnowania go.
- Oszczędność czasu. Ugotuj posiłki na cały tydzień i przechowuj je w torebkach FoodSaver™.
- Marynata w kilka minut. Próżnia otwiera pory żywności, co umożliwia doskonale zamarynowanie w zaledwie 20 minut, nie całą noc.
- Łatwe przyjmowanie gości. Przygotuj z wyprzedzeniem swoje popisowe danie i spędź więcej czasu z gośćmi.
- Ciesz się daniami sezonowymi i specjalnymi. Zachowaj na dłużej nietrawne i rzadko używane składniki.
- Kontroluj porcje podczas diety. Pakowanie próżniowe umożliwia dzielenie żywności na porcje żądanej wielkości oraz zapisywanie na torebkach wartości kalorycznej i zawartości tłuszczu.
- Chroń inne przedmioty. Przechowuj zapasy na wycieczki w góry i łódką, suche i zorganizowane. Chroń polerowane srebro przed zmatowieniem, minimalizując kontakt z powietrzem.



## Akcesoria FoodSaver™

Wykorzystaj w pełni urządzenie FoodSaver™ dzięki łatwym w użytku torebkom, pojemnikom i akcesoriom FoodSaver™.

### Torebki i rolki FoodSaver™

Torebki i rolki FoodSaver™ charakteryzują się specjalnymi kanałami, które umożliwiają efektywne odprowadzanie powietrza. Wielowarstwowa konstrukcja tworzy efektywną barierę dla tlenu i wilgoci oraz zapobiega oparzelinom zamrażalnicy. Torebki i rolki FoodSaver™ są dostępne w różnych rozmiarach.

### Pojemniki FoodSaver™

Pojemniki FoodSaver™ są proste w użyciu i doskonale nadają się do pakowania próżniowego delikatnych przedmiotów, takich jak wypieki, płyny i artykuły sypkie.

### Torebki strunowe FoodSaver™ Fresh

Torebki strunowe FoodSaver™ Fresh mają specjalne kanały, które umożliwiają efektywne odprowadzanie powietrza. Wielowarstwowa konstrukcja tworzy niezwykle skuteczną barierę dla tlenu i wilgoci.

### Pojemniki FoodSaver™ Fresh

Pojemniki FoodSaver™ Fresh są proste w użyciu i doskonale nadają się do pakowania próżniowego delikatnych produktów, takich jak wypieki, płyny i artykuły sypkie.

### Korek FoodSaver™

Korki FoodSaver™ umożliwiają pakowanie próżniowe wina, napojów niegazowanych i olejów. Podnosi trwałość płynu i zachowuje jego aromat. Nie używaj korka z butelkami plastikowymi.

### Pojemnik do marynowania FoodSaver™

Pojemnik do marynowania umożliwia nasycenie żywności aromatem w kilka minut, nie godzin. Próżnia ułatwia przenikanie marynaty do żywności.

### Zamawianie

Aby zamówić torebki, rolki i akcesoria FoodSaver™, odwiedź witrynę [www.foodsavereurope.com](http://www.foodsavereurope.com) i wybierz region.

## Części

Patrz rys. 1:

- |   |  |
|---|--|
| <b>A</b> Uszczelka górna                    | <b>I</b> Kontrolka zasilania                         |
| <b>B</b> Zdejmowana taca ociekowa           | <b>J</b> Kontrolki postępu                           |
| <b>C</b> Zatrask pokryw                     | <b>K</b> Kontrolka postępu uszczelniania             |
| <b>D</b> Uszczelka dolna                    | <b>L</b> Przycisk samego uszczelniania               |
| <b>E</b> Pasek uszczelniający               | <b>M</b> Przycisk usuwania powietrza i uszczelniania |
| <b>F</b> Panel sterowania                   | <b>N</b> Przycisk żywności wilgotnej                 |
| <b>G</b> Przyłącze akcesoriów               | <b>O</b> Kontrolka ostrzegawcza przegrzania          |
| <b>H</b> Ręczne urządzenie do uszczelniania |  |

## Przygotowywanie torebki z rolki FoodSaver™

Z rolki FoodSaver™ możesz wykonać własne torebki o odpowiednich rozmiarach. Patrz rys. 2:

1. Podłącz urządzenie do pakowania próżniowego do gniazdka zasilania. Naciśnij obydwie zatraski **C** i otwórz pokrywę. Umieść otwarty koniec rolki na pasku uszczelniającym **E**, tak aby końcówka rolki sięgała do przedniej krawędzi dolnej uszczelki. Nie pozwól, aby końcówka torebki była wsunięta do tacy ociekowej.
2. Zamknij do końca pokrywę, aż obydwie zatraski **C** wyskoczą. Po prawidłowym zamknięciu przy zatrasku pojawi się zielony pasek i zaświeci się zielona kontrolka zasilania **I**.
3. Naciśnij przycisk samego uszczelniania **L** albo przycisk usuwania powietrza i uszczelniania **M**.
4. Gdy czerwona kontrolka postępu uszczelniania **K** zgaśnie, naciśnij obydwie zatraski i wyjmij rolkę. Końcówka rolki została uszczelniona.
5. Odmierz długość odpowiednią do pakowanego przedmiotu. Dodaj kolejne 75 mm, aby umożliwić uszczelnienie torebki, a następnie utnij prosto rolkę.

# Korzystanie z urządzenia do pakowania próżniowego

Patrz rys. 3:

1. Włóż przedmiot do zapakowania do torebki. Możesz użyć gotowej torebki FoodSaver™ lub zrobić własną z rolki FoodSaver™.
2. Umieść otwartą końcówkę torebki w gnieździe tacki ochronnej **B**.
3. Zamknij i zatrzasnij pokrywę. Po prawidłowym zamknięciu przy zatrasku pojawi się zielony pasek i zaświeci się zielona kontrolka zasilania **I**.
4. Naciśnij przycisk usuwania powietrza i uszczelniania **M**.
5. Urządzenie do pakowania próżniowego rozpocznie usuwanie powietrza z torebki, a następnie jej uszczelnianie. Gdy kontrolki postępu **J** zatrzymają się i czerwona kontrolka postępu uszczelniania **K** zgaśnie, proces jest zakończony.

## Pakowanie żywności wilgotnej

W przypadku pakowania żywności wilgotnej lub bardzo soczystej naciśnij przycisk żywności wilgotnej **N** PRZED naciśnięciem przycisku usuwania powietrza i uszczelniania.

## Uszczelnianie torebki bez usuwania powietrza

W celu uszczelnienia torebki bez usuwania z niej powietrza naciśnij przycisk samego uszczelniania **L**. Umożliwia to uszczelnianie torebek służących do przechowywania chipsów, nachosów itp.

## Uszczelnianie delikatnych przedmiotów

Niektóre przedmioty, takie jak wypieki, chleb, ciastka itp. mogą zostać zmiażdżone podczas uszczelniania. Aby temu zapobiec, użyj przycisku samego uszczelniania **L** w następujący sposób:

1. Wykonaj kroki 1, 2, 3 i 4 procedury „Używanie urządzenia do pakowania próżniowego”.
2. Naciśnij przycisk samego uszczelniania **L** zanim dojdzie do zmiażdżenia. Spowoduje to natychmiastowe zatrzymanie usuwania powietrza i przejście do uszczelnienia torebki.

## Korzystanie z akcesoriów FoodSaver™

Pakowanie próżniowe przy użyciu torebek strunowych Fresh lub pojemnika Fresh.

1. Włóż koniec ze złączem ręcznego urządzenia do uszczelniania **H** do gniazda akcesoriów **G** urządzenia FoodSaver™.

2. Umieść końcówkę ręcznego urządzenia do uszczelniania na zaworze akcesorium i upewnij się, że została odpowiednio połączona. Postępuj zgodnie z instrukcjami dołączonymi do akcesorium FoodSaver™.  
Uwaga: Aby uszczelnić próżniowo pojemnik FoodSaver™, zdejmij pojemnik (przezroczysta dolna część) urządzenia do uszczelniania, pociągając go w dół i zdejmując część górną. Włóż końcówkę urządzenia do uszczelniania do przyłącza na pojemniku.
3. Naciśnij przycisk usuwania powietrza i uszczelniania **M**. Urządzenie do pakowania próżniowego rozpocznie usuwanie powietrza z torebki.
4. Gdy kontrolki postępu **J** zatrzymają się i czerwona kontrolka postępu uszczelniania **K** zgaśnie, proces jest zakończony.

## Konserwacja i czyszczenie

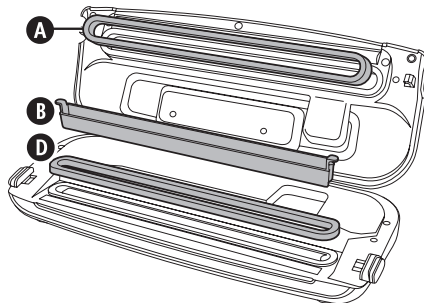
**Nie zanurzaj urządzenia, przewodu ani wtyczki w wodzie ani w żadnej cieczy. Zawsze odłączaj urządzenie od gniazdka przed czyszczeniem.**

Przetrzyj obudowę urządzenia miękką, suchą szmatką.

Zdejmij i opróżnij tacę ochronną **B** po każdym użyciu. Umyj ją w ciepłym wodzie z mydłem lub na górnej półce zmywarki. Dokładnie wysusz przed ponownym zamontowaniem.

Sprawdź uszczelkę górną **A**, uszczelkę dolną **D** i okolice tacy ociekowej, aby upewnić się, że nie pozostały na nich resztki żywności. W razie potrzeby wytrzeć uszczelki szmatką zwilżoną ciepłą wodą z detergentem.

Uszczelki można wyjmować do mycia. Do mycia używaj ciepłej wody z detergentem. Dokładnie wysusz i ostrożnie ponownie załóż na miejsce.



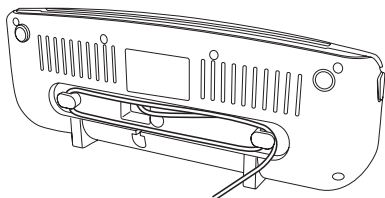
Wymyj zbiornik ręcznego urządzenia do uszczelniania po każdym użyciu. Umyj go ciepłą wodą z detergentem i pozostaw do całkowitego wyschnięcia przed ponownym włożeniem.

Aby urządzenie FoodSaver™ działało efektywnie, zalecamy wymianę uszczelek raz w roku. Aby zamówić części zamienne, odwiedź stronę [www.foodsavereurope.com](http://www.foodsavereurope.com).

## Przechowywanie

Zamknij pokrywę do pierwszego „kliknięcia”, aż zatrzaski zadziałają, ale nie wyskoczą i nie pojawi się zielony pasek. Zabezpiecza to pokrywę, ale nie ściska uszczelek (co mogłoby prowadzić do nieprawidłowej pracy urządzenia).

Owiń przewód wokół uchwytów znajdujących się pod urządzeniem. Urządzenie można przechowywać w pozycji pionowej, jak pokazano.



## Przewodnik, wskazówki i porady dotyczące przechowywania

### Pakowanie próżniowe i bezpieczeństwo żywności

Proces pakowania próżniowego przedłuża trwałość żywności, usuwając większość powietrza z uszczelnionego pojemnika, redukując utlenianie obniżające wartość odżywczą i ogólną jakość oraz pogarszające smak. Usunięcie powietrza może także zapobiegać rozwojowi mikroorganizmów, które mogą powodować problemy w określonych warunkach:

Bezpieczne przechowywanie żywności wymaga zachowania niskiej temperatury. Rozwój mikroorganizmów można znacznie ograniczyć w temperaturze 4°C i niższej.

Zamrażanie w temperaturze -17°C nie zabija mikroorganizmów, ale zatrzymuje ich rozwój. W przypadku przechowywania długoterminowego należy zamrozić nietrawną żywność przed zapakowaniem próżniowym i przechowywać ją w lodówce po rozmrożeniu.

Należy pamiętać, że pakowanie próżniowe NIE zastępuje przechowywania w puszkach i nie odwraca procesu psucia się żywności. Może jedynie spowolnić zmianę jakości. Trudno jest przewidzieć, jak długo żywność zachowa idealny aromat, wygląd i teksturę, ponieważ zależy to od jej wieku i stanu w momencie pakowania próżniowego.

Ważne: Pakowanie próżniowe NIE zastępuje zamrażania i chłodzenia. Nietrawną żywność wymagającą chłodzenia należy po zapakowaniu próżniowym nadal przechowywać w lodówce lub zamrażarce. Aby uniknąć potencjalnych chorób, nie należy używać ponownie torebek, w których przechowywane było surowe mięso, surowe ryby lub tłuste produkty. Nie należy używać ponownie torebek, które były podgrzewane w kuchence mikrofalowej lub wodzie.

## Rozmrażanie i ponowne podgrzewanie pakowanej żywności



Żywność należy zawsze rozmrażać w lodówce lub kuchence mikrofalowej. Nie rozmrażać nietrawnej żywności w temperaturze pokojowej.

Produkty spożywcze w torebce można rozmrozić w kuchence mikrofalowej, ale nie należy ich podgrzewać. Podczas rozmrażania w kuchence mikrofalowej produktów spożywczych umieszczonych w torebkach FoodSaver™ należy pamiętać, by nie przekraczać mocy 180 W, maksymalnego czasu 2 minut i temperatury 70°C (158°F). Żywność można także podgrzewać w torebkach FoodSaver™, zanurzając je w lekko podgrzanej wodzie o temperaturze poniżej 75°C (170°F). Postępuj zgodnie z instrukcjami dołączonymi do torebki FoodSaver™.

## Wskazówki dotyczące przygotowania

### Mięso i ryby



Aby uzyskać najlepsze rezultaty, zamroź wstępnie mięso i ryby przez 1-2 godz. przed zapakowaniem próżniowym w torebkach FoodSaver™. Pomaga to zachować soczystość i kształt oraz zapewnia lepsze uszczelnienie. Jeśli wstępne zamrożenie nie jest możliwe, umieść złożony ręcznik kuchenny między mięsem lub rybą a górą torebki, ale poniżej obszaru uszczelniania.

Pozostaw ręcznik w torebce, aby wchłonął nadmiar wilgoci i soków w trakcie procesu pakowania próżniowego.

Uwaga: Ze względu na brak tlenu wołowina może zmienić kolor na ciemniejszy po zapakowaniu próżniowym. Nie jest to oznaka zepsucia.

## Sery twarde



Aby zachować świeżość sera, zapakuj go próżniowo po każdym użyciu. Zastosuj dłuższe torebki FoodSaver™, zwiększając odległość 75 mm standardowo

pozostawianą między zawartością a uszczelnieniem o 25 mm na każde planowane nowe uszczelnienie.

Po prostu odetnij zamkniętą krawędź i wyjmij ser. Kiedy zechcesz znowu zapakować ser, włóż go do torebki i zamknij.

Ważne: Ze względu na ryzyko rozwoju bakterii beztlenowych nigdy nie należy pakować próżniowo serów miękkich.

## Warzywa



Przed zapakowaniem próżniowym warzywa należy zblanszować. Proces ten zatrzymuje rozwój enzymów mogący prowadzić do utraty smaku, koloru i konsystencji.

Aby zblanszować warzywa, umieść je we wrzącej wodzie lub w kuchence mikrofalowej, aż będą ugotowane, ale wciąż chrupiące. Czas blanszowania waha się od 1-2 min w przypadku warzyw liściastych i groszku do 3-4 min w przypadku groszku cukrowego, plasterków cukinii lub brokułów, 5 min w przypadku marchwi i 7-11 min w przypadku kolb kukurydzy. Po blanszowaniu zanurz warzywa w zimnej wodzie, aby zatrzymać proces gotowania. Na koniec osusz warzywa na ręczniku przed zapakowaniem próżniowym.

Uwaga: Niektóre warzywa (m.in. brokuły, brukselka, kapusta, kalafior, jarmuż i rzepa) w naturalny sposób wydzielają gazy podczas przechowywania. Z tego powodu po zblanszowaniu należy je przechowywać wyłącznie w zamrażarce.

Podczas mrożenia warzyw najlepiej zamrozić je wstępnie przez 1-2 godz. lub do momentu całkowitego zamrożenia. Aby zamrozić warzywa w pojedynczych porcjach, należy najpierw umieścić je na papierze do pieczenia i rozsunąć tak, aby się nie stykały. Dzięki temu nie zostaną zamrożone w jednym bloku. Po zamrożeniu należy usunąć papier do pieczenia i zapakować warzywa próżniowo w torebce FoodSaver™. Po zapakowaniu warzyw należy ponownie włożyć je do zamrażarki.

## Rozwiązywanie problemów

Problem	Solution
Kontrolka ostrzegawcza przegrzania <b>O</b> świeci się.	<ul style="list-style-type: none"><li>• Urządzenie jest przegrzane. Przed ponownym użyciem poczekaj, aż kontrolka ostrzegawcza przegrzania zgaśnie.</li></ul>
Pompa działa przez ponad 2 minuty bez usuwania powietrza.	<ul style="list-style-type: none"><li>• Upewnij się, że otwarty koniec torebki jest wsunięty do tacy ociekowej.</li><li>• Upewnij się, że obie uszczelki są poprawnie zamontowane.</li><li>• Upewnij się, że co najmniej jedna strona torebki jest uszczelniona.</li><li>• Otwórz urządzenie i upewnij się, że na uszczelkach nie ma obcych przedmiotów, zabrudzeń ani zanieczyszczeń.</li><li>• Upewnij się, że w górnej części torebki pozostało miejsce (75 mm) umożliwiające włożenie jej do tacy ociekowej przy zamkniętej i zatrzaskniętej pokrywie.</li><li>• Upewnij się, że ręczne urządzenie do uszczelniania nie jest podłączone.</li><li>• Upewnij się, że pokrywa jest całkowicie zamknięta (przy zatrzasku widoczny jest zielony pasek i świeci się zielona kontrolka zasilania).</li></ul>
Torebka nie jest prawidłowo uszczelniana.	<ul style="list-style-type: none"><li>• W torebce znajduje się zbyt wiele płynu. Zamroź zawartość torebki przed usunięciem powietrza.</li><li>• Aby zapobiec marszczeniu uszczelnienia, delikatnie rozciągnij torebkę na płasko podczas jej wkładania do tacy ociekowej i przytrzymaj torebkę do momentu, w którym zacznie pracować pompa próżniowa.</li><li>• W przypadku pakowania żywności wilgotnej wykonaj drugie uszczelnienie nad pierwszym uszczelnieniem w celu zapewnienia prawidłowego uszczelnienia.</li></ul>
Zamknięcie pokrywy i naciśnięcie przycisku usuwania powietrza i uszczelniania albo przycisku samego uszczelniania nie powoduje żadnego działania.	<ul style="list-style-type: none"><li>• Upewnij się, że pokrywa jest całkowicie zamknięta (przy zatrzasku widoczny jest zielony pasek i świeci się zielona kontrolka zasilania).</li></ul>
Jeśli potrzebujesz dodatkowej pomocy:	<ul style="list-style-type: none"><li>• Odwiedź stronę <a href="http://www.foodsavereurope.com">www.foodsavereurope.com</a> i wybierz region.</li></ul>

Ważne: Ze względu na ryzyko rozwoju bakterii beztlenowych nigdy nie należy pakować próżniowo świeżych grzybów, cebuli ani czosnku.

## Warzywa liściowe



Aby uzyskać najlepsze rezultaty, warzywa liściowe należy przechowywać w pojemniku. Umyj warzywa, a następnie osusz je ściereczką lub w suszarce do sałaty. Po wysuszeniu włóż warzywa do pojemnika i normalnie zapakuj próżniowo. Przechowuj w lodówce.

## Owoce



Podczas mrożenia miękkich owoców (np. jagodowych) najlepiej zamrozić je wstępnie przez 1-2 godz. lub do momentu całkowitego zamrożenia. Aby zamrozić owoce w pojedynczych porcjach, należy najpierw umieścić je na papierze do pieczenia i rozsunąć tak, aby się nie stykały.

Dzięki temu nie zostaną zamrożone w jednym bloku. Po zamrożeniu należy usunąć papier do pieczenia i zapakować owoce próżniowo w torebce FoodSaver™.

Po zapakowaniu warzyw należy ponownie włożyć je do zamrażarki. Można zapakować próżniowo porcje do pieczenia lub ulubioną mieszankę, aby przez cały rok przygotowywać sałatki owocowe. W przypadku przechowywania w lodówce zalecamy stosowanie pojemnika FoodSaver™.

## Wypieki



Do pakowania próżniowego miękkich lub puszystych wypieków zalecamy pojemnik FoodSaver™, co pozwoli zachować ich kształt. Korzystając z torebki, należy zamrozić je wstępnie przez 1-2 godz. lub do momentu całkowitego zamrożenia. Aby oszczędzić czas, możesz wcześniej przyrządzić ciasto na ciasteczka, foremki na babeczki, całe babeczki lub mieszanki suchych składników i zapakować je próżniowo do późniejszego wykorzystania.

## Kawa i produkty sproszkowane



Aby zapobiec wciągnięciu cząsteczek żywności do pompy próżniowej, umieść filtr do kawy lub ręcznik kuchenny na torebce lub pojemniku przed zapakowaniem próżniowym. Można także umieścić żywność w oryginalnym opakowaniu w torebce FoodSaver™ lub wykorzystać do zapakowania próżniowego pokrywkę uniwersalną FoodSaver™ z oryginalnym opakowaniem.

## Płynny



Przed zapakowaniem próżniowym płynów, np. bulionu, należy wstępnie zamrozić je w garnku, keksówce lub pojemniku na kostki lodu. Następnie należy wyjąć zamrożony płyn i zapakować go próżniowo w torebce FoodSaver™. Takie „zamrożone kostki” można przechowywać w zamrażarce.

Aby je wykorzystać, odetnij róg torebki i umieść w naczyniu w kuchence mikrofalowej lub zanurz w lekko podgrzanej wodzie o temperaturze poniżej 75°C (170°F).

Aby zapakować próżniowo niegazowane napoje butelkowane, można użyć korka FoodSaver™ z oryginalnym pojemnikiem.

Pamiętaj, aby pozostawić co najmniej 25 mm pustej przestrzeni między zawartością a podstawą korka. Można uszczelniać butelki po każdym użyciu.

## Gotowe posiłki, resztki i kanapki



Łatwe do ustawiania jeden na drugim, lekkie pojemniki FoodSaver™ umożliwiają wygodne przechowywanie gotowych posiłków, resztek i kanapek. Można podgrzewać je w kuchence mikrofalowej oraz myć w zmywarce w górnym koszu, są one także wyposażone w adapter.

Lekkie pojemniki doskonale sprawdzą się w biurze, w szkole i na wycieczce – można je zabrać dosłownie wszędzie!

## Przekąski



Po zapakowaniu próżniowym przekąski dłużej zachowają świeżość. Aby uzyskać najlepsze rezultaty, użyj pojemnika FoodSaver™ do delikatnych produktów, takich jak krakersy.

# Gwarancja

Zachowaj dowód zakupu, ponieważ będzie on wymagany w przypadku jakichkolwiek roszczeń z tytułu niniejszej gwarancji.

Urządzenie jest objęte 2-letnią gwarancją obowiązującą od dnia dokonania zakupu, zgodnie z opisem w niniejszym dokumencie.

Jeśli podczas trwania gwarancji okaże się, co jest mało prawdopodobne, że urządzenie nie działa z powodu wad projektowych lub produkcyjnych, należy je przynieść do miejsca dokonania zakupu wraz z dowodem zakupu oraz egzemplarzem niniejszej gwarancji.

Prawa i korzyści wynikające z niniejszej gwarancji stanowią dodatek do praw ustawowych, których niniejsza gwarancja nie narusza. Prawo do zmiany warunków gwarancji ma wyłącznie Jarden Consumer Solutions (Europe) Ltd. („JCS (Europe)”).

JCS (Europe) zobowiązuje się do bezpłatnej naprawy lub wymiany urządzenia lub jego nie działającej części w okresie objętym gwarancją, pod warunkiem że:

- klient niezwłocznie poinformuje o problemie sklep, w którym dokonał zakupu lub JCS (Europe)
- urządzenie nie zostało w żaden sposób zmienione, uszkodzone, użytkowane w niewłaściwy sposób, ani nie było naprawiane lub zmieniane przez osobę nieupoważnioną przez JCS (Europe).

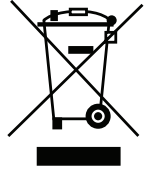
Gwarancją nie są objęte usterki wynikające z nieprawidłowego użytkowania, uszkodzenia, używania nieprawidłowego napięcia, zdarzeń losowych, zdarzeń niezależnych od JCS (Europe), naprawy lub wymiany przez osobę nieupoważnioną przez JCS (Europe) lub z powodu niestosowania się do instrukcji obsługi. Ponadto gwarancja nie obejmuje naturalnego zużycia eksploatacyjnego, w tym m.in. drobnych przebarwień i zarysowań.

W ramach niniejszej gwarancji prawa przysługują wyłącznie nabywcy urządzenia i nie rozciągają się na użytkowanie komercyjne lub wspólne.

Jeśli urządzenie objęte jest gwarancją lub rękojmią obowiązującą w danym kraju, należy uznać, że zawarte w nich warunki są nadrzędne w stosunku do niniejszej gwarancji lub skontaktować się z lokalnym autoryzowanym sprzedawcą, aby uzyskać więcej informacji.

Nie należy wyrzucać zużytych artykułów elektrycznych razem z odpadami domowymi. Należy je, w miarę możliwości, poddać recyklingowi. W celu uzyskania szczegółowych informacji na temat recyklingu lub dyrektywy WEEE, skontaktuj się z nami pod adresem [enquiriesEurope@jardencs.com](mailto:enquiriesEurope@jardencs.com).

Jarden Consumer Solutions (Europe) Limited  
5400 Lakeside  
Cheadle Royal Business Park  
Cheadle  
SK8 3GQ  
United Kingdom



## Důležitá bezpečnostní opatření

Toto zařízení mohou používat děti od 8 let, osoby s tělesným, sensorickým a mentálním hendikepem a nezkušení uživatelé za předpokladu, že budou pod dohledem nebo poučení o bezpečném použití zařízení a rizicích souvisejících s jeho používáním, a tomuto poučení porozumí. Děti si nesmí se zařízením hrát. Děti smí provádět údržbu zařízení pouze pod dohledem.

Je-li napájecí kabel poškozen, je nutné, aby jeho výměnu provedl výrobce, jeho servisní zástupce nebo obdobně kvalifikovaná osoba, aby nedošlo k ohrožení.

- Toto zařízení používejte pouze na stabilním, bezpečném, suchém a rovném povrchu.
- **POZOR: TATO VAKUOVAČKA NENÍ URČENA PRO KOMERČNÍ VYUŽITÍ.** Toto zařízení používejte pouze ke stanovenému účelu. Zařízení je určeno výhradně k domácímu použití. Nepoužívejte toto zařízení venku.
- Zařízení, síťový kabel ani zástrčku nikdy neponořujte do vody ani jiné kapaliny.
- Pokud zařízení upadlo nebo vykazuje jakékoli známky poškození, přestaňte ho používat.
- Po použití a před čištěním se vždy ujistěte, že je zařízení vypnuté.
- Chcete-li zařízení odpojit od přívodu elektrické energie, vytáhněte napájecí kabel ze zásuvky. Zařízení neodpojujte škubnutím za kabel, ale opatrným vytažením zástrčky ze zásuvky.
- Nepoužívejte prodlužovací šňůry.
- Používejte pouze příslušenství a doplňky doporučené výrobcem.
- Pokud ohříváte potraviny uložené v sáčcích FoodSaver™, vložte sáčky do mírně vroucí vody o teplotě nižší než 75 °C.
- **POTRAVINY UVNITŘ SÁČKŮ MŮŽETE ROZMRAZOVAT V MIKROVLNNÉ TROUBĚ, NIKOLI VŠAK V TROUBĚ OHŘÍVAT.** Jestliže rozmrazujete potraviny v sáčcích FoodSaver™ v mikrovlnné troubě, nastavte výkon nejvýše 180 W (rozmrazování) a rozmrazujte nejdéle 2 minuty. Teplota nesmí přesáhnout 70 °C.

**TENTO NÁVOD K POUŽITÍ PEČLIVĚ USCHOVEJTE**

## Vakuová balíčka FoodSaver™

### Proč vakuovat?

Když přicházejí potraviny do styku se vzduchem, ztrácejí nutriční hodnoty a chuť. Navíc se stávají živnou půdou pro rozličné typy bakterií, plísní a kvasinek. Vakuová balíčka FoodSaver™ odstraňuje vzduch a uchovává původní kvalitu a chuť vašich potravin. S pestrou škálou sáčků a dóz FoodSaver™ máte na výběr nepřeberné množství způsobů, jak využít výhod této vědecky prokázané metody skladování, jež udrží vaše potraviny čerstvé až pětikrát déle.

### System FoodSaver™ šetří čas i peníze

- Neutrácejte, když nemusíte. Díky systému FoodSaver™ můžete nakupovat ve velkém nebo ve výprodejích a vakuově zabalit potraviny po libovolně velkých porcích. Neplýtvajte jídlem!
- Ušetřete si čas. Navařte si na týden dopředu a uložte si jídlo do sáčků FoodSaver™.
- Marinujte během pár minut. Vakuové balení otevře póry v potravinách, takže dosáhnete výtečné marinované chuti již za 20 minut. Už nemusíte čekat celou noc.
- Věnujte se hostům. Připravte si své vyšperkované jídlo dopředu a místo toho, abyste stáli u plotny, se věnujte svým hostům.
- Vychutnejte si sezónní jídla i speciality. Uchovejte zřídka používané ingredience nebo potraviny rychle podléhající zkáze déle čerstvé.
- Kontrolujte porce při dietách. Vakuově si zabalte odměřené porce a na sáčky napište množství kalorií a tuku.
- Chraňte různé předměty. Ochraňte vybavu na kempování nebo na loď před vlhkem a uspořádejte si věci na výlet. Stejně tak můžete ochránit leštěné stříbro před zmatněním, když minimalizujete jeho kontakt se vzduchem.

## Příslušenství FoodSaver™

Využijte svou vakuovačku FoodSaver™ na maximum – se sáčky, dózami a příslušenstvím FoodSaver™.

### Sáčky a fólie FoodSaver™

Sáčky a fólie FoodSaver™ se vyznačují speciálními kanálky umožňujícími efektivní odvod vzduchu. Vícevrstvá konstrukce z nich činí obzvláště účinnou bariéru vůči kyslíku a vlhkosti a pomáhá předejít spálení mrazem. Sáčky a fólie FoodSaver™ jsou dostupné v mnoha různých velikostech.

## Dózy FoodSaver™

Dózy FoodSaver™ se snadno používají a jsou ideální pro vakuové balení křehkých potravin, jako jsou například muffiny či jiné pečivo, nebo tekutin a sušených potravin.

## ZIP sáčky FoodSaver™ Fresh

ZIP sáčky FoodSaver™ Fresh se vyznačují speciálními kanálky umožňujícími efektivní odvod vzduchu. Vícevrstvá konstrukce z nich činí obzvláště účinnou bariéru vůči kyslíku a vlhkosti.

## Dózy FoodSaver™ Fresh

Dózy FoodSaver™ Fresh se snadno používají a jsou ideální pro vakuové balení křehkých potravin, jako jsou například muffiny či jiné pečivo, nebo tekutin a sušených potravin.

## Zátky FoodSaver™

Zátky FoodSaver™ můžete použít k vakuovému uchování vína, neperlivých vod a olejů. Prodloužíte tak trvanlivost tekutin a zachováte jejich sensorické vlastnosti. Zátky nepoužívejte u plastových lahví.

## Rychlý marinátor FoodSaver™

Rychlý marinátor dodá potravinám požadovanou chuť během několika minut. Díky vakuové síle nemusíte čekat dlouhé hodiny, než se marináda dostane hluboko do jídla.

## Jak objednat

Jestliže si chcete objednat sáčky, fólie a další příslušenství FoodSaver™, navštivte webové stránky [www.foodsavereurope.com](http://www.foodsavereurope.com) a vyberte svou zemi.

## Součásti

Prohlédněte si Obr. 1:

- |  |   |
|--|---|
| <b>A</b> Horní těsnění                     | <b>I</b> Kontrolka napájení               |
| <b>B</b> Vytímatelná odkapávací vanička    | <b>J</b> Kontrolky průběhu vakuování      |
| <b>C</b> Západka víka                      | <b>K</b> Kontrolka průběhu svařování      |
| <b>D</b> Dolní těsnění                     | <b>L</b> Tlačítko pro svaření             |
| <b>E</b> Svářecí pásek                     | <b>M</b> Tlačítko pro vakuování a svaření |
| <b>F</b> Ovládací panel                    | <b>N</b> Tlačítko pro vlhké potraviny     |
| <b>G</b> Otvor pro připojení příslušenství | <b>O</b> Kontrolka výstrahy při přehřátí  |
| <b>H</b> Ruční vakuovačka                  |   |

## Jak vytvořit sáček z fólie FoodSaver™

Z fólie FoodSaver™ můžete vyrobit své vlastní sáčky požadované velikosti. Prohlédněte si Obr. 2:

1. Zapojte vakuovačku do zásuvky elektrické sítě. Stlačte obě západky **C** a otevřete víko. Otevřený konec fólie položte na svářecí pásek **E** tak, aby se konec fólie dotýkal přední hrany dolního těsnění. Dávejte pozor, aby se konec sáčku nedostal až do odkapávací vaničky.
2. Zavřete víko tak, až západky **C** povyskočí. Pokud je zavřené správně, okolo západky se zobrazí zelený proužek a zelená kontrolka napájení **I** se rozsvítí.
3. Stiskněte tlačítko pro svaření **L** nebo tlačítko pro vakuování a svaření **M**.
4. Jakmile červená kontrolka průběhu svařování **K** zhasne, stlačte obě západky a sejměte víko. Konec fólie je svařený.
5. Odměřte tolik fólie, kolik budete potřebovat pro balenou položku. Přidejte ještě 75 mm, aby bylo možné sáček svařit, a poté fólii rovně uřízněte.

## Jak používat vakuovou baličku

Prohlédněte si Obr. 3:

1. Vložte potraviny nebo předmět do sáčku. Můžete použít připravené sáčky FoodSaver™ nebo si vyrobit své vlastní z fólie FoodSaver™.
2. Otevřený konec sáčku vložte do otvoru v odkapávací vaničce **B**.
3. Zavřete víko a zajistěte jej západkami. Pokud je zavřené správně, okolo západky se zobrazí zelený proužek a zelená kontrolka napájení **I** se rozsvítí.
4. Stiskněte tlačítko pro vakuování a svaření **M**.
5. Vaše vakuovačka začne ze sáčku odsávat vzduch a poté jej svaří. Jakmile kontrolky průběhu vakuování **J** a červená kontrolka průběhu svařování **K** zhasnou, proces je dokončen.

## Balení vlhkých potravin

Pokud balíte vlhké a šťavnaté potraviny, PŘED stiskem tlačítka pro vakuování a svaření stiskněte tlačítko pro vlhké potraviny **N**.

## Svaření sáčku bez odsání vzduchu

Chcete-li svařit sáček, aniž byste odsáli vzduch, stiskněte tlačítko pro svaření **L**. Můžete svařovat obaly používané k balení pochutin, jako jsou bramborové lupínky, tortillové chipsy apod.



## Svařování křehkých položek

Některé druhy potravin jako například cukroví, chléb, sušenky apod. by se mohly svařováním poničit.

Abyste tomu předešli, použijte tlačítko pro svaření **L** následujícím způsobem:

1. Postupujte podle kroků 1, 2, 3 a 4 popsáných v kapitole „*Jak používat vakuovačku*“.
2. Stiskněte tlačítko pro svaření **L** ještě před tím, než dojde k deformaci. Tím se okamžitě zastaví odsávání vzduchu a poté se sáček svaří.

## Jak používat příslušenství FoodSaver™

Vakuování ZIP sáčků a dóz Fresh:

1. Připojte konec ruční vakuovačky opatřený konektorem **H** do otvoru pro připojení příslušenství **G** na zařízení FoodSaver™.
2. Připevněte konec ruční vakuovačky k ventilu na příslušenství a ujistěte se, že pevně drží. Dodržujte všechny pokyny uvedené v návodu k příslušenství FoodSaver™.

Poznámka: Chcete-li vakuovat dózy FoodSaver™, zatažením dolů a oddělením od horní části oddělte nádobku na tekutinu (průhlednou spodní část) od vakuovačky. Konec vakuovačky zasuňte do otvoru v dóze.

3. Stiskněte tlačítko pro vakuování a svaření **M**. Vaše vakuovačka začne z příslušenství odsávat vzduch.
4. Jakmile kontrolky průběhu vakuování **J** a červená kontrolka průběhu svařování **K** zhasnou, proces je dokončen.



## Údržba a čištění

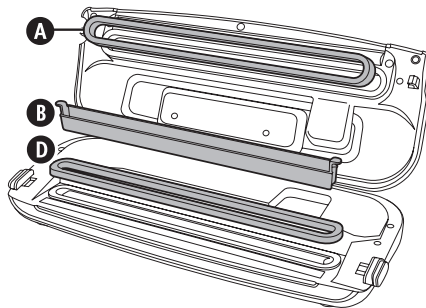
**Zařízení, síťový kabel ani zástrčku nikdy neponořujte do vody ani jiné kapaliny. Zařízení před čištěním vždy odpojte ze zásuvky.**

Vnější části zařízení otřete měkkým suchým hadříkem.

Po každém použití vyjměte a vyprázdněte odkapávací vaničku **B**. Omyjte ji v teplé mýdlové vodě nebo vložte do horního košíku v myčce. Před opětovným osazením vaničku důkladně osušte.

Zkontrolujte horní těsnění **A**, dolní těsnění **D** a těsnění kolem odkapávací vaničky a ujistěte se, že na nich nejsou přichyceny zbytky jídla. V případě potřeby těsnění otřete hadříkem namočeným v teplé mýdlové vodě.

Těsnění můžete pro usnadnění čištění vyjmout. Umyjte je teplou mýdlovou vodou. Důkladně je osušte a poté pečlivě nasadte zpět.



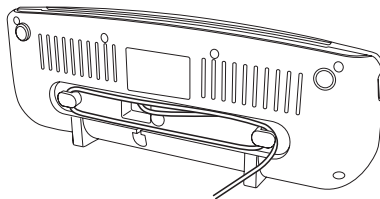
Po každém použití odstraňte nádobku ruční vakuovačky. Omyjte nádobku v teplé mýdlové vodě a před opětovným nasazením ji nechejte důkladně oschnout.

Aby vaše vakuová balíčka FoodSaver™ fungovala co nejlépe, doporučujeme každý rok vyměnit těsnění. Náhradní díly můžete objednat na webové stránce [www.foodsavereurope.com](http://www.foodsavereurope.com).

## Skladování

Zavřete víko až po první „cvaknutí“, kdy se západky zachytí, ale nepovysočí a neukážou zelený proužek. Tím zajistíte víko, ale současně zabráníte stlačení těsnění (což může mít za následek nesprávnou funkčnost zařízení).

Naviňte kabel na háčky pod zařízením. Zařízení lze skladovat ve vzpřímené poloze, jak je zobrazeno.



# Rady a tipy pro skladování

## Vakuové balení a bezpečnost potravin

Při vakuovém balení se odsaje většina vzduchu z nádoby a tím se prodlouží životnost skladovaných potravin.

Nedochází totiž k tak výrazné oxidaci, která negativně ovlivňuje nutriční hodnoty potravin, jejich aroma, chuť a celkovou kvalitu. Odstraněním vzduchu rovněž zpomalíte množení mikroorganismů, které by za určitých okolností mohly způsobit problémy:

Abyste bezpečně uchováli potraviny, musíte je skladovat při nízkých teplotách. Jestliže potraviny uchováte při teplotě 4 °C a nižší, výrazně tím omezíte množení mikroorganismů.

Při zmrazení na teplotu -17 °C mikroorganismy nezabijete, ale zastavíte jejich růst. Chcete-li potraviny podléhající zkáze uchovat na dlouhou dobu, vakuově je zabalte a zmrazte. Jakkmile je později rozmrazíte, uchovávejte je v chladničce.

Mějte na paměti, že vakuové balení NENAHAZUJE konzervování a nemůže zcela zamezit zkažení potravin. Pouze pomáhá zpomalit kvalitativní změny. Je těžké předvídat, jak dlouho si vakuované potraviny uchovají veškerou svou chuť, vzhled a strukturu, neboť to závisí na jejich stáří a stavu v den vakuového balení.

**Důležité:** Vakuové balení NENAHAZUJE mrazení potravin ani jejich uchování v chladničce. Veškeré potraviny podléhající zkáze a vyžadující skladování v chladničce musíte po vakuovém zabalení uchovat v chladničce nebo zamrazit. Abyste se vyhnuli zažívacím obtížím, nepoužívejte znovu sáčky, které jste již dříve použili k uchování syrového masa, syrových ryb nebo mastných potravin. Stejně tak nepoužívejte sáčky, které jste ohřívali v mikrovlnné troubě nebo vroucí vodě.

## Jak rozmrazovat a ohřívat vakuově balené potraviny



Potraviny vždy rozmrazujte v chladničce nebo mikrovlnné troubě - potraviny podléhající zkáze nikdy nerozmrazujte při pokojové teplotě.

Potraviny uvnitř sáčků můžete rozmrazovat v mikrovlnné troubě, nikoli však v troubě ohřívat. Jestliže rozmrazujete potraviny v sáčcích FoodSaver™ v mikrovlnné troubě, nastavte výkon nejvýše 180 W (rozmrazování) a rozmrazujte nejdéle 2 minuty. Teplota nesmí přesáhnout 70 °C. Potraviny vakuově zabalené v sáčcích FoodSaver™ můžete ohřát i v mírně vroucí vodě o teplotě nižší než 75 °C. Dodržujte všechny pokyny uvedené v návodu k sáčku FoodSaver™.

# Pokyny pro vakuování

## Maso a ryby



Nejlépších výsledků dosáhnete, když před vakuováním v sáčcích FoodSaver™ necháte maso nebo ryby 1 až 2 hodiny mírně zmrazit. Tím uchováte šťávy a tvar a zajistíte lepší vakuové zabalení. Pokud z nějakého důvodu zmrazení n emůžete provést, mezi maso či rybu a horní část sáčku vložte papírovou utěrku. Dejte však pozor, aby nezasahovala do místa svaru.

Papírovou utěrku nechtej v sáčku, aby pohltila nadbytečnou vlhkost a šťávy uvolňující se během vakuového balení.

Poznámka: Hovězí maso se může zdát po vakuovém zabalení tmavší. Děje se tak kvůli odsátí vzduchu. Nejedná se o vadu či známku zkázy.

## Tvrdé sýry



Abyste sýr zůstal čerstvý, po odkrojení jej před vložením zpět do chladničky vždy znovu vakuově zabalte. Vyrobt se sáček

FoodSaver™ dostatečně dlouhý, abyste po každé plánované otevření a opětovné svaření měli k dispozici 25 mm materiálu navíc k obvyklým 75 mm, které běžně necháváte mezi baleným obsahem a svarem.

Při rozbalování jednoduše odstříhnete svařenou hranu a sýr vyjměte. Jakkmile budete chtít sýr znovu vakuově zabalit, vložte jej zpět do sáčku a opět jej svařte.

**Důležité:** Vzhledem k nebezpečí vzniku anaerobních bakterií byste nikdy neměli vakuovat měkké sýry.

## Zelenina



Zeleninu je třeba před vakuováním blanširovat. Tento postup zastaví činnost enzymu, který by mohl způsobit ztrátu vůně, barvy a chutě.

Chcete-li blanširovat zeleninu, vložte ji do vroucí vody nebo mikrovlnné trouby na takovou dobu, aby se uvařila, ale přitom zůstala stále křupavá. Doba blanširování je zhruba 1 až 2 minuty pro listovou zeleninu a hrášek; 3 až 4 minuty pro hrachové lusky, plátky cukety nebo brokolice; 5 minut pro mrkve a 7 až 11 minut pro kukuřičný klas. Po blanširování ponořte zeleninu do studené vody, abyste zastavili proces vaření. Nakonec nechtej zeleninu před vakuováním uschnout na utěrce.

Poznámka: Veškerá zelenina (včetně brokolice, růžičkové kapusty, zelí, květáku, kapusty a tuřínu) během skladování přirozeně uvolňuje plyny. Proto může být po blanširování skladována pouze v mrazáku.

Při zmrazení zeleniny je nejlepší ji nejprve částečně zmrazit na 1 až 2 hodiny nebo dokud není zcela tvrdá. Chcete-li zmrazit zeleninu v jednotlivých porcích, nejdříve

ji položte na pečicí plech a rozmístěte ji tak, aby se jednotlivé kusy nedotýkaly. Zabráníte tím tomu, aby kusy zeleniny přimrzly k sobě. Po zmrazení sundejte zeleninu z plechu a vakuově ji zabalte do sáčků FoodSaver™. Po zabalení uložte zeleninu zpět do mrazáku.

Důležité: Vzhledem k nebezpečí vzniku anaerobních bakterií byste nikdy neměli vakuovat čerstvé houby, cibuli a česnek.

### Listová zelenina



Listová zelenina se nejlépe skladuje v dóze. Nejprve omyjte zeleninu a pak ji osušte pomocí utěrky nebo odstředivky na salát. Osušenou zeleninu vložte do dózy a vakuově ji zabalte obvyklým způsobem. Skladujte ji v chladničce.

### Ovoce



Při zmrazování měkkého ovoce a bobulí je nejlepší je nejprve částečně zmrazit na 1 až 2 hodiny nebo dokud nebudou zcela tvrdé. Chcete-li zmrazit ovoce v jednotlivých porcích, nejdříve ho položte na pečicí plech a rozmístěte tak, aby se jednotlivé kusy nedotýkaly. Zabráníte tím tomu, aby kusy ovoce přimrzly k sobě. Po zmrazení sundejte ovoce z plechu a vakuově ho zabalte do sáčků FoodSaver™.

Po zabalení uložte ovoce zpět do mrazáku. Ovoce můžete vakuovat v menších porcích, které lze využít při pečení. Nebo můžete vakuovat své oblíbené ovocné kombinace, abyste si mohli snadno připravit ovocný salát kdykoli během roku. V případě skladování v chladničce doporučujeme použít dózu FoodSaver™.

### Pečené pokrmy



Chcete-li vakuovat měkké nebo nadýchané pečené pokrmy, doporučujeme použít dózu FoodSaver™, aby si pokrmy uchovaly svůj tvar. Při vakuovém balení do sáčku nechejte pečivo zmrazit 1 až 2 hodiny nebo dokud nebude tvrdé. Chcete-li ušetřit čas, předem si připravte těsto, korpus, celé koláče nebo směs suchých surovin a vakuově je zabalte pro pozdější použití.

### Káva a práškové potraviny



Chcete-li předejít tomu, aby se do vakuové pumpy dostaly částičky jídla, před vakuovým balením položte na horní část sáčku nebo dózy kávový filtr nebo papírovou utěrku. Do sáčku FoodSaver™ můžete vkládat také potraviny v jejich původním obalu nebo použít univerzální víko FoodSaver™ v kombinaci s původní nádobou a tu vakuovat.

## Odstraňování potíží

Problém	Řešení
Rozsvítí se kontrolka výstrahy při přehřátí <b>O</b> .	<ul style="list-style-type: none"> <li>Zařízení je přehřáté. Před používáním počkejte, dokud kontrolka výstrahy při přehřátí nezasne.</li> </ul>
Čerpadlo pracuje déle než 2 minuty, aniž by odsávalo vzduch.	<ul style="list-style-type: none"> <li>Zkontrolujte, že otevřený konec sáčku je vložený do odkapávací vaničky.</li> <li>Zkontrolujte, zda jsou obě těsnění správně nasazena.</li> <li>Ujistěte se, že alespoň jeden konec sáčku je zatavený.</li> <li>Otevřete jednotku a zkontrolujte, zda na horním ani dolním těsnění nejsou žádné cizí objekty, nečistoty nebo úlomky.</li> <li>Ověřte, že v horní části sáčku je dostatek místa (75 mm), takže se vejde do odkapávací vaničky, když je víko zavřené a zajištěné západkou.</li> <li>Ujistěte se, že není připojena ruční vakuovačka.</li> <li>Ujistěte se, že je víko úplně zavřené (okolo západky je vidět zelený proužek a zelená kontrolka napájení svítí).</li> </ul>
Sáček správně netěsní.	<ul style="list-style-type: none"> <li>V sáčku je příliš mnoho tekutiny. Před vakuovým balením obsah sáčku zmrazte.</li> <li>Abyste předešli tvorbě vrásek ve svaru, při vkládání sáčku do odkapávací vaničky sáček opatrně napněte a podržte jej, dokud se vakuové čerpadlo nespustí.</li> <li>Při svařování vlhkých potravin vytvořte nad prvním svarem na sáčku druhý svar, abyste zajistili náležité svaření.</li> </ul>
Po zajištění západky a stisknutí tlačítka pro vakuování a svaření nebo tlačítka pro svaření se nic nestane.	<ul style="list-style-type: none"> <li>Ujistěte se, že je víko úplně zavřené (okolo západky je vidět zelený proužek a zelená kontrolka napájení svítí).</li> </ul>
Potřebujete další pomoc?	<ul style="list-style-type: none"> <li>Navštivte naše webové stránky <a href="http://www.foodsaver europe.com">www.foodsaver europe.com</a> a vyberte svou zemi.</li> </ul>

## Tekutiny



Před vakuovým balením tekutin, jako jsou například polévky, je nejprve zmrazte v hrnci, nádobě na pečení nebo formě na led. Vyndejte zmrazenou tekutinu z nádoby a zabalte ji do sáčku FoodSaver™. Takto

zmrazené „cihličky“ můžete naskládat na sebe do mrazáku.

Jakmile budete chtít zmrazenou tekutinu použít, odstříhnete roh sáčku a vložíte jej v misce do mikrovlnné trouby, nebo sáček ohřejte v mírně vroucí vodě o teplotě nižší než 75 °C.

Chcete-li vakuově zabalit neperlivé tekutiny v lahvi, můžete použít zátku FoodSaver™ v kombinaci s původním obalem.

Nezapomeňte mezi hladinou tekutiny a zátkou nechat mezeru alespoň 25 mm. Lahve můžete vakuovat po každém použití.

## Předpřipravená jídla, zbytky a sendviče



Předpřipravená jídla, zbytky a sendviče můžete efektivně uchovat ve stohovatelných a lehkých dózách FoodSaver™. Dózy jsou vhodné do horního košíku myčky i mikrovlnné trouby a jsou

opatřeny nastavitelným adaptérem.

Tyto lehké dózy si můžete vzít pohodlně s sebou do práce, do školy nebo na výlet!

## Svačinky



Vaše svačinky díky vakuovému balení zůstanou déle čerstvé. Křehké potraviny jako například krekry nejlépe uchováte v dóze FoodSaver™.

## Záruční list

Uschovejte si prosím doklad o koupi, bude požadován při případném uplatňování této záruky.

Jak je uvedeno v tomto dokumentu, na toto zařízení se vztahuje záruka 2 roky od data zakoupení.

Pokud během této záruční doby zařízení přestane z důvodu pochybení při výrobě nebo konstrukci fungovat, vraťte je v místě zakoupení. Vezměte s sebou doklad o koupi a kopii tohoto Záručního listu.

Práva a výhody dané touto zárukou doplňují vaše zákonná práva, jež touto zárukou nejsou dotčena. Pouze společnost Jarden Consumer Solutions (Europe) Ltd. („JCS (Europe)“) má právo měnit tyto podmínky.

Společnost JCS (Europe) se zavazuje, že v záruční době zdarma opraví nebo vymění toto zařízení nebo jakoukoli jeho část, jež nebude správně fungovat, a to za předpokladu, že:

- včas vyzoomíte prodejce nebo společnost JCS (Europe) o zjištěném problému; a
- zařízení nebylo žádným způsobem upraveno nebo poškozeno, nesprávně používáno, opravováno či upravováno osobou neautorizovanou společností JCS (Europe).

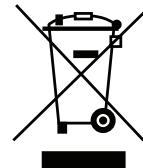
Tato záruka se nevztahuje na závady, jež se vyskytnou v důsledku nesprávného použití, poškození, nešetrného zacházení, použití zařízení s nesprávným napětím, přírodních vlivů, událostí mimo kontrolu společnosti JCS (Europe), oprav nebo úprav provedených osobou neautorizovanou společností JCS (Europe) nebo nedodržování návodu k použití. Tato záruka se navíc nevztahuje na běžné opotřebení, jako je mimo jiné i mírné vyblednutí barev či poškrábání zařízení.

Práva daná touto zárukou se vztahují pouze na prvního majitele a nezahrnují komerční či komunitní použití zařízení.

Pokud je součástí vašeho zařízení i specifická záruka či garance platná pro danou zemi, platí podmínky této specifické záruky či garance, a nikoliv záruční podmínky uvedené v tomto dokumentu. Další informace vám sdělí místní autorizovaný prodejce.

Elektrická zařízení určená k likvidaci nesmí být zlikvidována jako domovní odpad. Jestliže je to možné, recyklujte prosím. Chcete-li získat více informací o recyklaci a směrnicích WEEE, napište nám na [enquiriesEurope@jardencs.com](mailto:enquiriesEurope@jardencs.com).

Jarden Consumer Solutions (Europe) Limited  
5400 Lakeside  
Cheadle Royal Business Park  
Cheadle  
SK8 3GQ  
United Kingdom



## Dôležité bezpečnostné opatrenia

Spotrebič môžu používať deti vo veku od 8 rokov a osoby so zníženými fyzickými, zmyslovými alebo psychickými schopnosťami alebo nedostatkom skúseností a vedomostí, pokiaľ ho používajú pod dohľadom alebo na základe pokynov na používanie tohto spotrebiča bezpečným spôsobom a rozumejú prípadným rizikám. Nenechávajte deti hrať sa so spotrebičom. Čistenie a údržbu zo strany používateľa nemajú vykonávať deti bez dohľadu.

Ak je napájací kábel poškodený, musí ho vymeniť výrobca, servisný technik alebo podobne kvalifikovaná osoba, aby sa predišlo riziku.

- Prístroj vždy používajte na stabilnom, pevnom, suchom a rovnom povrchu.
- **POZOR: TÁTO BALIČKA POTRAVÍN NIE JE URČENÁ NA KOMERČNÉ ÚČELY.** Zariadenie používajte výhradne na účel, na ktorý je určené. Toto zariadenie je určené na použitie len v domácnosti. Nepoužívajte ho vonku.
- Spotrebič ani napájací kábel a zástrčku neponárajte do vody ani žiadnej inej tekutiny.
- Ak zariadenie spadlo alebo sa na ňom nachádzajú viditeľné známky poškodenia, nepoužívajte ho.
- Pred čistením po použití skontrolujte, či je spotrebič vypnutý a odpojený zo zásuvky.
- Ak chcete zariadenie odpojiť zo siete, vytiahnite zástrčku zo zásuvky. Pri vyťahovaní zástrčky neťahajte za kábel.
- Zariadenie nepoužívajte s predlžovacím káblom.
- Používajte len príslušenstvo alebo nadstavce odporúčané výrobcom.
- Ak zohrievate potraviny vo vreckách FoodSaver, vložte ich do mierne vriacej vody s teplotou max. 75 °C (170 °F).
- **POTRAVINY VO VRECKU MOŽNO V MIKROVLNNEJ RÚRE ROZMRAZOVAŤ, ALE NIE ZOHRIEVAŤ.** Pri rozmrazení potravín vo vreckách FoodSaver v mikrovlnnej rúre neprekračujte výkon 180 W (nastavenie rozmrazovania), čas rozmrazovania 2 minúty a teplotu 70 °C (158 °F).

**TIETO POKYNY SI ODLOŽTE**

## Vákuová balička potravín FoodSaver™

### Prečo baliť vákuovo?

Vystavenie potravín vzduchu spôsobuje, že strácajú nutričné hodnoty a chuť a tvoria sa rôzne baktérie, plesne a kvasinky. Vákuová balička potravín FoodSaver™ odsaje vzduch a uzatvorením sa zachová chuť a kvalita. Vďaka bohatej ponuke vreciek a nádob FoodSaver™ môžete rozšíriť svoje možnosti a využívať vedecky preukázanú metódu skladovania potravín, pri ktorej zostávajú potraviny čerstvé až päťkrát dlhšie.

### Zariadenie FoodSaver™ šetrí peniaze aj čas.

- Míňajte menej peňazí. Vďaka zariadeniu FoodSaver™ môžete nakupovať vo veľkom alebo nakupovať potraviny v zľavách a vákuovo zabaliť požadované porcie bez plytvania.
- Ušetríte viac času. Navarte si vopred na celý týždeň a pripravené jedlá uložte do vreciek FoodSaver™.
- Marinujte bleskovo. Vákuovým balením sa roztiahnu póry potravín, takže marinovanú príchuť dosiahnete už za 20 minút namiesto marinovania celú noc.
- Zjednodušte si zábavu. Pripravte znamenité jedlá vopred a trávte viac vzácneho času s hosťami.
- Vychutnávajte si sezónne alebo špeciálne potraviny. Udržte rýchlo sa kaziace alebo ojedinele používané potraviny čerstvejšie dlhší čas.
- Kontrolujte porcie na dodržanie správneho režimu stravovania. Zabalte do vákuu rozumné porcie a napíšte na vrecko počet kalórií a obsah tuku.
- Ochráňte aj ostatné výrobky, nielen potraviny. Udržte zásoby na kempovanie alebo výlet loďou v suchu a usporiadané počas výletov. Ochráňte leštené striebro pred zájdením tým, že obmedzíte čas jeho vystavenia vzduchu na minimum.

## Príslušenstvo FoodSaver™

Využívajte zariadenie FoodSaver™ naplno pomocou vreciek, nádob a príslušenstva značky FoodSaver s jednoduchou obsluhou.

### Vrecká a rolky FoodSaver™

Vrecká a rolky FoodSaver™ obsahujú špeciálne kanáliky, ktoré umožňujú účinné odsatie vzduchu.

Viacvrstvový dizajn predstavuje mimoriadne efektívnu ochranu pred vzduchom a vlhkom a pomáha zabráňovať vysušeniu mrazom. Vrecká a rolky FoodSaver™ sú dostupné v rôznych veľkostiach.

### Nádoby FoodSaver™

Nádoby FoodSaver™ sa jednoducho používajú a sú ideálne na vákuové balenie krehkých potravín, napr. muffinov alebo iného pečiva, tekutín a suchých potravín.

### Uzatvárateľné vrecká FoodSaver™ na zachovanie čerstvosti potravín

Uzatvárateľné vrecká FoodSaver™ obsahujú špeciálne kanáliky, ktoré umožňujú účinné odsatie vzduchu. Viacvrstvový dizajn predstavuje mimoriadne efektívnu ochranu pred vzduchom a vlhkom.

### Nádoby Zátka na fľašu FoodSaver™ na zachovanie čerstvosti potravín

Nádoby FoodSaver™ na zachovanie čerstvosti potravín sa jednoducho používajú a sú ideálne na vákuové balenie krehkých potravín, napr. muffinov alebo iného pečiva, tekutín a suchých potravín.

### Zátka na fľašu FoodSaver™

Zátky na fľašu FoodSaver™ slúžia na vákuové uzatváranie vína, neperlivých tekutín a olejov. Predíži sa tým životnosť tekutín a zachová sa ich chuť. Zátka na fľaše nepoužívajte na plastové fľaše.

### Nádoba FoodSaver™ na rýchle marinovanie

Nádoba na rýchle marinovanie dodá potravinám príchuť už za niekoľko minút namiesto hodín, pretože vo vákuu prenikne marináda hlboko do potravín.

### Objednanie

Ak si chcete objednať vrecká, rolky a príslušenstvo FoodSaver™, navštívte lokalitu

[www.foodsavereurope.com](http://www.foodsavereurope.com) a vyberte svoju oblasť.

## Diely

Prohlédněte si Obr. 1:

- |   |   |
|---|---|
| <b>A</b> Vrchné tesnenie                  | <b>I</b> Indikátor napájania            |
| <b>B</b> Vyberateľná odkvapkávacia nádoba | <b>J</b> Indikátory priebehu            |
| <b>C</b> Západka veka                     | <b>K</b> Indikátor priebehu zvrárania   |
| <b>D</b> Spodné tesnenie                  | <b>L</b> Tlačidlo Iba zvariť            |
| <b>E</b> Zváracia lišta                   | <b>M</b> Tlačidlo Odsáť vzduch a zvariť |

- |                                |   |
|--------------------------------|---|
| <b>F</b> Ovládací panel        | <b>N</b> Tlačidlo Vlhké potraviny       |
| <b>G</b> Port na príslušenstvo | <b>O</b> Výstražná kontrolka prehriatia |
| <b>H</b> Ručná balička         |   |

## Ako urobiť z rolky FoodSaver™ vrecko

Z rolky FoodSaver™ môžete vyrábať vrecká voliteľných veľkostí. Pozrite si obr. 2:

1. Zapojte vákuovú baličku do siete. Stlačte obe západky **C** a otvorte veko. Umiestnite otvorený koniec rolky nad zváraciu lištu **E** tak, aby sa koniec rolky dotýkal predného okraja spodného tesnenia. Zabráňte tomu, aby sa koniec vrecka dostal do odkvapkávacej nádoby.
2. Zatvorte úplne veko, kým západky **C** nevyskočia. Pri správnom zatvorení sa okolo západky zjaví zelený pásik a rozsvieti sa zelený indikátor napájania **I**.
3. Stlačte tlačidlo Iba zvariť **L** alebo tlačidlo Odsáť vzduch a zvariť **M**.
4. Keď červený indikátor priebehu zvrárania **K** zhasne, stlačte obe západky a vyberte rolku. Koniec rolky je zatavený.
5. Zmerajte požadovanú dĺžku rolky podľa výrobu, ktorý chcete zabaliť. Pripočítajte k tomu 75 mm, aby ste vrecko mohli zvariť, a potom rolku odrežte.

## Používanie vákuovej baličky

Prohlédněte si Obr. 3:

1. Vložte potraviny alebo predmet do sáčku. Môžete použiť pripravené sáčky FoodSaver™ alebo si vyrobiť své vlastné z fólie FoodSaver™.
2. Otvorený koniec sáčku vložte do otvoru v odkvapkávacej vaničke **B**.
3. Zatvorte veko a zaistite západku. Pri správnom zatvorení sa okolo západky zjaví zelený pásik a rozsvieti sa zelený indikátor napájania **I**.
4. Stlačte tlačidlo Odsáť vzduch a zvariť **M**.
5. Vaša vákuová balička začne z vrecka odsávať vzduch a potom ho zvariť. Keď sa indikátory priebehu **J** zastavia a červený indikátor priebehu zvrárania **K** zhasne, proces je dokončený.

## Balenie vlhkých potravín

Ak balíte potraviny, ktoré sú vlhké alebo veľmi šťavnaté, stlačte tlačidlo Vlhké potraviny **N** PRED stlačením tlačidla Odsáť vzduch a zvariť.

## Zvarenie vrečka bez odsatia vzduchu

Ak chcete vrečko zvariť bez odsatia vzduchu, stlačte tlačidlo Iba zvariť **L**. Zvariť môžete vrečká, ktoré sa používajú na balenie občerstvenia, ako sú zemiakové lupienky, tortillové lupienky atď.

## Zvarenie krehkých potravín

Niektoré potraviny, ako pečivo, chlieb, sušienky atď., sa počas zvráňania môžu rozdrviť. Ak tomu chcete predísť, použite tlačidlo Iba zvariť **L** takto:

1. Postupujte podľa krokov 1, 2, 3 a 4 v časti „Používanie vákuovej baličky“.
2. Stlačte tlačidlo Iba zvariť **L** predtým, ako dôjde k rozdrveniu. Okamžite sa tým zastaví odsávanie vzduchu a vrečko sa zvarí.

## Používanie príslušenstva FoodSaver™

Vákuové uzatvorenie nádoby alebo uzatvárateľného vrečka na zachovanie čerstvosti potravín:

1. Vložte jeden koniec konektora ručnej baličky **H** do portu na príslušenstvo **G** na zariadení FoodSaver™.
2. Špičku ručnej baličky nasuňte na ventil na príslušenstve a uistite sa, že je pevne pripojená. Postupujte podľa osobitných pokynov uvedených v návode na používanie príslušenstva FoodSaver™.

Poznámka: Ak chcete vákuovo uzavrieť nádobu FoodSaver™, vyberte nádržku (vyprázdňte spodnú časť) baličky potiahnutím smerom nadol z hornej časti. Špičku baličky vložte do portu nádoby.

3. Stlačte tlačidlo Odsáť vzduch a zvariť **M**. Vákuová balička začne zo zariadenia odsávať vzduch.
4. Keď sa indikátory priebehu **J** zastavia a červený indikátor priebehu zvráňania **K** zhasne, proces je dokončený.

## Starostlivosť a čistenie

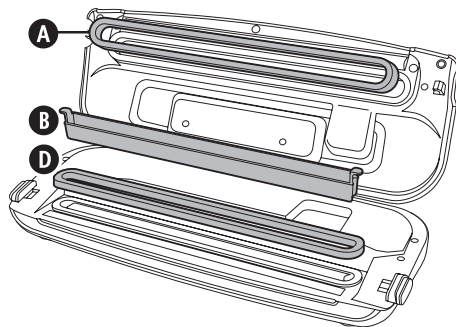
**Spotrebič ani napájací kábel a zástrčku neponárajte do vody ani žiadnej inej tekutiny. Spotrebič pred čistením vždy odpojte od napájania.**

Teleso spotrebiča utrite mäkkou, suchou handričkou.

Po každom použití vyberte a vyprázdňte odkvapkávaciu nádobku **B**. Umyte ju ručne v teplej vode so saponátom alebo na hornej poličke v umývačke riadu. Pred vrátením na miesto ju dôkladne vysušte.

Skontrolujte, či sa na vrchnom tesnení **A**, spodnom tesnení **D** a v okolí odkvapkávacieho podnosu nenachádzajú zvyšky potravín. V prípade potreby utrite tesnenia handričkou namočenou v teplej mydlovej vode.

Môžete ich aj zložiť a tak očistiť. Tesnenia očistite v teplej mydlovej vode. Dôkladne ich osušte a potom opatrne vráťte na miesto.



Po každom použití vyberte nádržku ručnej baličky. Umyte ju teplou mydlovou vodou, nechajte dôkladne uschnúť a znovu ju nasuňte na miesto.

V rámci zaistenia účinného fungovania spotrebiča FoodSaver™ odporúčame vymieňať tesnenia každý rok. Náhradné tesnenia si môžete objednať prostredníctvom lokality

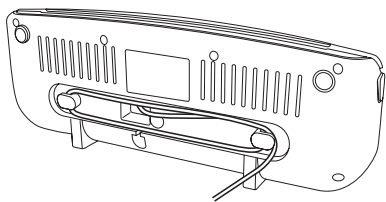
[www.foodsavereurope.com](http://www.foodsavereurope.com).

## Uskladnenie

Zatvorte veko na prvé „zacvaknutie“, kým sa západky nezaistia tak, aby pritom nevyskočili a nezobrazili zelený pásik. Veko sa tým dostatočne zaistí a zároveň sa nebude vyvíjať nadmerný tlak na tesnenia (čo by mohlo viesť k nesprávnemu fungovaniu zariadenia).



Omotajte kábel okolo úchytiak pod výrobkom. Výrobok možno skladovať vo zvislej polohe podľa znázornenia.



## Rady a tipy pro skladování

### Vakuové balení a bezpečnost potravin

Procesom vákuového balenia sa predlžuje životnosť potravín prostredníctvom odsatia väčšiny vzduchu z utesnenej nádoby, čím sa znižuje oxidácia, ktorá negatívne vplyva na nutričné hodnoty, chuť a celkovú kvalitu potravín. Odsatím vzduchu sa môže navyše spomaliť tvorba mikroorganizmov, ktoré za určitých podmienok spôsobujú problémy:

Ak chcete zachovať bezpečnosť potravín, je dôležité, aby ste ich uskladnili pri nízkych teplotách. Tvorbu mikroorganizmov môžete značne zredukovať pri teplote 4 °C alebo nižšej.

Zamrozením na teplotu -17 °C sa nezabijajú mikroorganizmy, ale zabráni sa ich šíreniu. V záujme dlhodobého uskladnenia vždy zamrazte rýchlo sa kaziace potraviny vo vákuovom balení a po rozmrazení ich skladujte v chladničke.

Je dôležité poznamenať, že vákuové balenie NENAHRÁDZA konzervovanie a nemôže zabrániť skazeniu potravín. Môže len spomaliť zmeny kvality. Možno len ťažko predpovedať, ako dlho si potraviny udržia prvotriednu chuť, vzhľad alebo textúru, pretože to závisí od čerstvosti a stavu potravín v deň, keď sa vákuovo balili.

**Dôležité:** Vákuové balenie NENAHRÁDZA chladenie ani zmrazenie. Všetky rýchlo sa kaziace potraviny sa musia po vákuovom zabalení skladovať v chladničke alebo mrazničke. Ak chcete predísť možným chorobám, nepoužívajte opakovane vrecká, v ktorých bolo uskladnené surové mäso, surové ryby alebo masťné potraviny. Nepoužívajte opakovane vrecká, ktoré boli použité v mikrovlnnej rúre alebo namáčané v mierne vriacej vode.

## Rozmrazovanie a zohrievanie vákuovo balených potravín



Potraviny vždy rozmrazujte v chladničke alebo mikrovlnnej rúre. Potraviny podliehajúce skaze nerozmrazujte pri izbovej teplote.

Potraviny vo vrecku možno v mikrovlnnej rúre rozmrazovať, ale nie zohrievať. Pri rozmrazovaní potravín vo vreckách FoodSaver™ v mikrovlnnej rúre neprekračujte výkon 180 W (nastavenie rozmrazovania), čas rozmrazovania

2 minúty a teplotu 70 °C (158 °F). Potraviny môžete zohrievať aj vo vreckách FoodSaver™ - vložte ich do horúcej vody s teplotou max. 75 °C (170 °F). Postupujte podľa osobitných pokynov uvedených v návode na používanie príslušenstva FoodSaver™.

## Pokyny na prípravu

### Mäso a ryby



Najlepšie výsledky dosiahnete predmrazením mäsa a rýb po dobu 1 - 2 hodín pred vákuovým uzatváraním vo vrecku FoodSaver™. Zachová sa tým šťavnatosť a tvar a dosiahne sa lepšie zvarenie. Ak predmrazenie nie je možné, medzi mäso alebo ryby a vrchnú časť vrecka (pod miesto zvaru) umiestnite zložený papierovú utierku.

Nechajte papierovú utierku vo vrecku, aby počas procesu vákuového uzatvárania nasala nadbytočnú vlhkosť a šťavu.

**Poznámka:** Hovädzina môže po uzatvorení pomocou vákuu stmavnúť v dôsledku odsatia kyslíka. Nie je to znamenie znehodnotenia.

### Tvrde sýry



Ak chcete udržať syr čerstvý, po každom použití ho vákuovo uzatvorte. Urobte extra dlhé vrecko FoodSaver™ a okrem obvyklých 75 mm miesta medzi obsahom vrecka a zvarom ponechajte 25 mm materiálu na každé plánované otvorenie a opätovné zvarenie.

Jednoducho odstrihnite uzatvorený okraj a syr vyberte. Keď budete chcieť syr znova zavariť, jednoducho ho vložte do vrecka a vrecko znova zvaríte.

**Dôležité:** Vzhľadom na riziko výskytu anaeróbných baktérií by sa mäkké sýry nemali vákuovo uzatvárať.

### Zelenina



Zelenina sa musí pred vákuovým uzatvorením blanširovať. Týmto procesom sa zastaví činnosť enzýmov, ktorá by mohla mať za následok stratu chuti, farby a textúry.

Blanširovanie zeleniny sa vykonáva tak, že sa zelenina vloží do vriacej vody alebo do mikrovlnnej rúry a nechá sa povariť do chrumkava. Listová zelenina a hrášok sa majú blanširovať 1 až 2 minúty; sladký hrášok, nakrájaná cuketa alebo brokolica 3 až 4 minúty; mrkva 5 minút a kukuričné šúľky 7 až 11 minút. Po blanširovaní ponorte zeleninu do studenej vody, aby sa zastavil proces varenia. Zeleninu pred vákuovým uzatvorením nechajte usušiť na utierke.

**Poznámka:** Všetka zelenina (napr. brokolica, ružičkový kel, kapusta, karfiol, kel, okruhlíca) uvoľňujú pri skladovaní plyny. Preto sa po blanširovaní musia skladovať len v mrazničke.



Zelenina sa najlepšie zmrazuje tak, že sa nechá predmraziť na 1 - 2 hodiny alebo až kým nie je pevne zmrazená. Ak chcete zmraziť zeleninu v jednotlivých porciách, porcie najprv uložte na plech tak, aby sa navzájom nedotýkali. Tým sa zabráni tomu, aby sa zmrazili spojené do jedného bloku. Po zamrazení vyberte papier na pečenie a zeleninu vákuovo uzavrite vo vrecku FoodSaver™. Po vákuovom uzavretí zeleninu vráťte do mrazničky.

**Dôležité:** Vzhľadom na riziko výskytu anaeróbnych baktérií by sa čerstvé huby, cibula a cesnak nemali vákuovo uzatvárať.

### Listová zelenina



Najlepšie výsledky dosiahnete pri skladovaní listovej zeleniny v nádobe. Zeleninu najprv umyte a následne osušte pomocou utierky alebo odstredivky na šalát. Po osušení ju vložte do nádoby FoodSaver™ a obvyklým spôsobom ju vákuovo uzatvorte. Skladujte v chladničke.

### Ovoce



Mäkké ovocie a bobule sa najlepšie zmrazujú tak, že sa nechajú predmraziť na 1 - 2 hodiny alebo až kým nie sú pevne zmrazené. Ak chcete zmraziť ovocie v jednotlivých porciách, porcie najprv uložte na plech tak, aby sa navzájom nedotýkali.

Tým sa zabráni tomu, aby sa zmrazili spojené do jedného bloku. Po zamrazení vyberte papier na pečenie a ovocie vákuovo uzavrite vo vrecku FoodSaver™.


Po vákuovom uzavretí zeleninu vráťte do mrazničky. Pomocou vákuového uzatvorenia môžete uchovávať porcie na pečenie alebo môžete uchovávať zmes ovocia na prípravu obľúbených ovocných šalátov v priebehu celého roka. Na skladovanie v chladničke sa odporúča použitie nádoby FoodSaver™.

### Pečivo



Na skladovanie mäkkého alebo nadýchaného pečiva sa odporúča vákuové uzatvorenie pomocou nádoby FoodSaver™. Pečivo si tak zachová svoj tvar. Ak používate vrecko, pečivo dajte predmraziť na 1 - 2 hodiny alebo kým nebude pevne zamrazené. Ak chcete pri príprave sušienok a koláčov ušetriť čas, pripravte si vopred cesto, korpus alebo celé koláče alebo zmiešajte suché prísady a vákuovo ich uzatvorte. Budete ich tak mať pripravené na neskoršie použitie.

## Odstrašování potíží

Problém	Řešení
Rozsvieti sa výstražná kontrolka prehriatia  .	<ul style="list-style-type: none"> <li>Zariadenie sa prehrialo. Pred používaním počkajte, kým výstražná kontrolka prehriatia nezhasne.</li> </ul>
Výveva pracuje dlhšie ako 2 minúty, ale neodsáva sa žiadny vzduch.	<ul style="list-style-type: none"> <li>Uistite sa, že otvorený koniec vrečka je vložený do odkvapkávacej nádoby.</li> <li>Skontrolujte, či obe tesnenia správne priliehajú.</li> <li>Skontrolujte, či je aspoň jeden koniec vrečka zvarený.</li> <li>Otvorte zariadenie a skontrolujte, či sa na hornom alebo dolnom tesnení nenachádzajú žiadne cudzie telesá, nečistoty alebo zvyšky.</li> <li>Uistite sa, že na vrchu vrečka zostal dostatok priestoru (75 mm), aby vrecko siahalo do odkvapkávacej nádoby so zatvoreným vekom a západkou.</li> <li>Uistite sa, že ručná balička nie je pripojená.</li> <li>Uistite sa, že je veko úplne zatvorené (okolo západky vidieť zelený pásik a svietí zelený indikátor napájania).</li> </ul>
Vrecko sa nedá poriadne zvariť.	<ul style="list-style-type: none"> <li>Vo vrecku je priveľa tekutiny. Pred odsávaním vzduchu zmrazte obsah vrečka.</li> <li>Ak chcete zabrániť pokrčeniu vrečka v mieste zvaru, počas vkladania vrečka do odkvapkávacej nádoby ho jemne natiahnite, aby bolo vyrovnané, a vrecko držte v tejto polohe aj počas spustenia vývevy.</li> <li>Vytvorte druhé miesto zvaru nad prvým zvarom na vrecku, aby ste zaistili dôkladné utesnenie pri zvarení vlhkých potravín.</li> </ul>
Po zaistení západky a stlačení tlačidla Odsať vzduch a zvariť alebo Iba zvariť sa nič nestane.	<ul style="list-style-type: none"> <li>Uistite sa, že je veko úplne zatvorené (okolo západky vidieť zelený pásik a svietí zelený indikátor napájania).</li> </ul>
Potrebujete ďalší pomoc?	<ul style="list-style-type: none"> <li>Navštívte naše webové stránky <a href="http://www.foodsavereurope.com">www.foodsavereurope.com</a> a vyberte svoju zemi.</li> </ul>

## Káva a práškové potraviny



Aby ste zabránili vniknutiu kúskov potravín do vývevy, pred uzatvorením pomocou vákuu položte na vrch vrecka alebo nádoby kávový filter alebo papierový obrúsok.

Potraviny môžete umiestniť do pôvodného obalu vo vnútri vrecka FoodSaver™ alebo môžete použiť univerzálny uzáver FoodSaver™ s pôvodnou nádobou na vákuové uzavretie.

## Tekutiny



Pred zamrazením tekutín, ako je vývar, ich predmrazte v hrnci, pekáči alebo zásobníku na ľadové kocky, kým pevne nezamrznú.

Z nádoby vyberte zamrznutú tekutinu a vákuovo ju zabaľte do vrecka FoodSaver™.

Tieto zamrazené „tehly“ môžete v mrazničke poskladať na seba.

Keď ich budete chcieť použiť, iba odstrihnite roh vrecka a umiestnite ho do taniera v mikrovlnnej rúre alebo hodte do horúcej vody s teplotou najviac 75 °C (170 °F).

Na vákuové uzatvorenie nesýtených tekutín vo fľašiach môžete použiť zátku na fľašu FoodSaver™ s pôvodnou fľašou.

Medzi obsahom a spodnou časťou zátky na fľašu nezabudnite nechať najmenej 25 mm miesta. Fľaše môžete po každom použití znova uzavrieť.

## Vopred pripravené jedlá, zvyšky a sendviče



Efektívne skladujte vopred pripravené jedlá, zvyšky a sendviče v ľahkých nádobách FoodSaver™, ktoré možno ukladať na seba. Možno ich používať v mikrovlnnej rúre, dajú sa umývať

v hornom koši umývačky riadu a dodávajú sa so špeciálnym adaptérom.

Tieto ľahké nádoby budú pripravené na cestu do kancelárie, do školy alebo do prírody vždy, keď ich budete potrebovať.

## Jedlo na desiatu



Vaše jedlo na desiatu si zachová čerstvosť dlhšie, keď ho vákuovo uzavriete. Na potraviny, ktoré sa môžu rozdrviť, je najefektívnejšie použiť nádoby FoodSaver™.

## Záruka

Doklad o nákupe si uschovajte, bude ho potrebné predložiť v prípade reklamácie podľa tejto záruky. Na tento spotrebič sa vzťahuje záruka 2 roky od zakúpenia podľa popisu v tomto dokumente.

Ak počas tejto záručnej lehoty spotrebič prestane fungovať kvôli chybe v konštrukcii alebo výrobe, zanešte ho do predajne, kde ste ho zakúpili, spolu s dokladom o nákupe a kópiou tejto záruky.

Práva a výhody vyplývajúce z tejto záruky sú rozšírením vašich zákonných práv, ktoré touto zárukou nie sú dotknuté. Iba spoločnosť Jarden Consumer Solutions (Europe) Ltd. („JCS (Europe)“) má právo tieto podmienky meniť.

Spoločnosť JCS (Europe) sa zaväzuje v rámci záručnej lehoty bezplatne opraviť alebo vymeniť spotrebič alebo ktorúkoľvek jeho časť, ktorá nefunguje správne, pod podmienkou, že:

- o probléme promptne upovedomíte predajňu, kde ste výrobok zakúpili, alebo spoločnosť JCS (Europe) a
- spotrebič nebol nijako pozmenený ani vystavený poškodeniu, nesprávnemu používaniu, zlému zaobchádzaniu, opravám ani zmenám vykonaným osobou, ktorá na to nebola oprávnená spoločnosťou JCS (Europe).

Táto záruka nepokrýva chyby v dôsledku nesprávneho používania, poškodenia, zlého zaobchádzania, používania s nesprávnym napätím, prírodných živlov, udalostí mimo kontroly spoločnosti JCS (Europe), opráv ani zmien vykonaných osobou, ktorá na to nebola oprávnená spoločnosťou JCS (Europe), ani nedodržania pokynov na používanie. Okrem toho táto záruka nepokrýva ani bežné opotrebovanie vrátane (okrem iného) drobnej zmeny farby a škrabancov.

Práva vyplývajúce z tejto záruky platia iba pre pôvodného kupujúceho a nevzťahujú sa na komerčné ani komunálne používanie.

Ak spotrebič obsahuje záruku špecifickú pre danú krajinu alebo vložený záručný list, smerodajné sú podmienky takejto záruky. Viac informácií získate od svojho miestneho autorizovaného predajcu.

Elektrické spotrebiče by sa nemali likvidovať spolu s bežným domácim odpadom. Ak na to existujú príslušné zariadenia, prístroj recyklujte. Ďalšie informácie o recyklovaní a smernici o odpade z elektrických a elektronických zariadení (OEEZ) získate na e-mailovej adrese [enquiriesEurope@jardencs.com](mailto:enquiriesEurope@jardencs.com).

Jarden Consumer Solutions (Europe) Limited  
5400 Lakeside  
Cheadle Royal Business Park  
Cheadle  
SK8 3GQ  
United Kingdom



## Instrucțiuni Importante

Acest aparat poate fi utilizat de copii cu vârsta de peste 8 ani și de persoane cu capacități fizice, senzoriale sau mentale reduse sau lipsă de experiență și cunoștințe, cu condiția ca aceștia să fie supravegheați sau instruiți în privința utilizării în siguranță a aparatului și să fi înțelese pericolele implicate. Copiii nu trebuie să se joace cu acest produs. Curățarea și întreținerea de către utilizator nu vor fi efectuate de copii fără supraveghere.

Pentru evitarea pericolelor, în cazul deteriorării cablului de alimentare, acesta trebuie înlocuit de producător, de personalul autorizat de service sau de alte persoane calificate.

- Utilizați întotdeauna aparatul pe o suprafață stabilă, sigură, uscată și orizontală.
- **ATENȚIE: ACEST SISTEM DE SIGILARE NU ESTE DESTINAT UZULUI COMERCIAL.** Nu utilizați niciodată aparatul în scopuri diferite de destinația de utilizare prevăzută a acestuia. Acest aparat este destinat exclusiv uzului casnic. Nu utilizați acest aparat în exterior.
- Nu scufundați niciodată aparatul sau cablul și ștecherul de alimentare în apă sau în orice alt lichid.
- Nu utilizați aparatul dacă a fost scăpat pe jos sau dacă prezintă semne vizibile de deteriorare.
- Asigurați-vă că aparatul este oprit și deconectat de la priza electrică după utilizare și înainte de curățare.
- Pentru a deconecta aparatul, scoateți cablul de alimentare din priza electrică. Nu deconectați aparatul trăgând de cablu.
- Nu folosiți un cablu prelungitor cu aparatul.
- Folosiți numai accesorii sau dispozitive atașabile recomandate de producător.
- Când reîncălziți alimente în pungile FoodSaver™, asigurați-vă că le puneți în apă la o temperatură constantă mai mică de 75°C (170°F).
- **ALIMENTELE DIN PUNGĂ POT FI DECONGELATE, DAR NU REÎNCĂLZITE ÎNTR-UN CUPTOR CU MICROUND.** Când decongelați alimente în cuptorul cu microunde în pungile FoodSaver™, asigurați-vă că nu depășiți puterea maximă de 180 de wați (setarea de decongelare), durata maximă de 2 minute și temperatura maximă de 70°C (158°F).

### PĂSTRAȚI ACESTE INSTRUCȚIUNI

## Sistemul de sigilare în vid FoodSaver™

### De ce ambalarea în vid?

Expunerea la aer face ca alimentele să-și piardă proprietățile nutritive și gustul și, de asemenea, permite dezvoltarea a numeroase bacterii, a mușegaiului și a fermenților. Sistemul de ambalare în vid FoodSaver™ elimină aerul și conservă gustul și calitatea. Pentru a vă extinde opțiunile, vă punem la dispoziție o gamă completă de punși și caserole FoodSaver™, astfel încât să vă puteți bucura de beneficiile unei metode de depozitare a alimentelor dovedită științific, cu ajutorul căreia alimentele rămân proaspete un timp de până la cinci ori mai lung.

### Sistemul FoodSaver™ economisește timp și bani.

- Cheltuiți mai puțin. Cu sistemul FoodSaver™, puteți cumpăra cantități mari sau produse la reducere și puteți ambala alimentele în vid în porțiile dorite fără a face risipă.
- Economisiți timp. Gătiți din timp pentru toată săptămâna, preparând alimentele și depozitându-le în punși FoodSaver™.
- Marinați în câteva minute. Prin ambalarea în vid porii alimentelor se deschid, astfel încât puteți obține acel minunat gust de marinat în doar 20 de minute și nu peste noapte.
- Ușurați-vă munca atunci când aveți musafiri. Pregătiți-vă din timp rețetele preferate pentru a putea petrece mai mult timp cu musafirii.
- Bucurați-vă de alimente de sezon sau specialități. Păstrați mai mult timp prospețimea alimentelor foarte perisabile sau rar folosite.
- Controlați porțiile pentru regimuri. Ambalați în vid porții rezonabile și notați kaloriile și/sau conținutul de grăsimi pe pungă.
- Protejați alte articole decât alimente. Păstrați articolele pentru drumeții în natură și plimbări cu barca uscate și organizate pentru ieșiri. Protejați argintul șlefuit împotriva pătării minimizând expunerea la aer.

## Accesorii FoodSaver™

Profitați la maximum de aparatul FoodSaver™ cu pungile, caserolele și accesoriile FoodSaver™ ușor de folosit.

### Pungi și folii FoodSaver™

Pungile și foliile FoodSaver™ au canale speciale care permit eliminarea eficientă a aerului. Datorită structurii în straturi multiple, sunt o barieră deosebit de eficientă împotriva oxigenului și a umezelii și ajută la prevenirea arsurii prin congelare. Pungile și foliile FoodSaver™ sunt disponibile în diverse dimensiuni.

### Caserole FoodSaver™

Caserolele FoodSaver™ sunt ușor de folosit și sunt ideale pentru ambalarea în vid a alimentelor fragile, cum ar fi brișe și alte produse de patiserie, lichide și produse uscate.

### Pungi cu fermoar pentru păstrarea proapețimii FoodSaver™

Pungile cu fermoar FoodSaver™ au canale speciale care permit eliminarea eficientă a aerului. Datorită structurii lor în straturi multiple, acestea sunt o barieră deosebit de eficientă împotriva oxigenului și a umezelii.

### Containere pentru păstrarea proapețimii FoodSaver™

Containerele pentru păstrarea proapețimii FoodSaver™ sunt ușor de folosit și sunt ideale pentru ambalarea în vid a alimentelor fragile, cum ar fi brișele și alte produse de patiserie, lichidele și produsele uscate.

### Dopul pentru sticle FoodSaver™

Folosiți dopuri pentru sticle FoodSaver™ pentru a sigila în vid vinul, lichidele necarbonatate și uleiurile. Aceasta va prelungi durata de valabilitate a lichidului și va păstra gustul. Nu utilizați dopul pentru sticle la sticle din plastic.

### Marinator rapid FoodSaver™

Marinatorul rapid infuzează alimentele cu aromă în câteva minute în loc de ore, utilizând puterea vidului pentru a introduce marinadele adânc în alimente.

### Comanda

Pentru a comanda pungi, role și accesorii FoodSaver™, accesați adresa

[www.foodsavereurope.com](http://www.foodsavereurope.com) și selectați-vă regiunea.

## Componente

Consultați Fig. 2:

- |  |   |
|--|---|
| <b>A</b> Garnitură superioară            | <b>I</b> Lumină de alimentare                       |
| <b>B</b> Tavă detașabilă pentru picurare | <b>J</b> Lumini de progres                          |
| <b>C</b> Încuietorea capacului           | <b>K</b> Lumină de progres etanșare                 |
| <b>D</b> Garnitură inferioară            | <b>L</b> Buton Numai etanșare                       |
| <b>E</b> Bandă de etanșare               | <b>M</b> Buton de vidare și etanșare                |
| <b>F</b> Panou de comandă                | <b>N</b> Buton pentru alimente umede                |
| <b>G</b> Port pentru accesorii           | <b>O</b> Lumină de avertizare pentru supraîncălzire |
| <b>H</b> Sistem portabil de etanșare     |   |

## Realizarea unei pungi dintr-o rolă FoodSaver™

Vă puteți realiza propriile pungi personalizate dintr-o rolă FoodSaver™. Consultați Fig. 2:

1. Conectați dispozitivul de etanșare cu vid la o priză de alimentare. Apăsăți ambele încuietori **C** și deschideți capacul. Așezați capătul deschis al rolei peste banda de etanșare **E**, astfel încât capătul rolei să se curbeze în sus către marginea frontală a garniturii inferioare. Nu lăsați capătul pungi să intre în tava pentru picurare.
2. Închideți capacul complet până când încuietorile **C** ies în afară. Când este închis corect, va apărea o bandă verde în jurul încuietorii și se va aprinde lumina verde de alimentare **I**.
3. Apăsăți butonul Numai etanșare **L** sau butonul de vidare și etanșare **M**.
4. Când lumina roșie de progres al etanșării **K** se stinge, apăsați ambele încuietori și îndepărtați rola. Capătul rolei este etanșat acum.
5. Măsurați lungimea necesară pentru articolul care este ambalat. Adăugați 75 mm suplimentari pentru a permite etanșarea pungi și apoi tăiați rola transversal.

## Utilizarea sistemului de etanșare cu vid

Consultați Fig. 3:

1. Așezați articolul de ambalat în pungă. Puteți utiliza o pungă FoodSaver™ disponibilă ca atare sau vă puteți realiza propria pungă dintr-o rolă FoodSaver™.

2. Se pune capătul deschis al pungii în fanta de tava pentru picurare **B**.
3. Închideți și încuiați capacul. Când este închis corect, va apărea o bandă verde în jurul încuietorii și se va aprinde lumina verde de alimentare **L**.
4. Apăsăți butonul de vidare și etanșare **M**.
5. Dispozitivul de ambalare cu vid va începe să scoată aerul din pungă și apoi să o etanșeze. Când luminile de progres **J** s-au oprit și lumina roșie de progres al etanșării **K** s-a stins, procesul este finalizat.

### Ambalare alimente umede

Dacă ambalați alimente care sunt umede sau sunt foarte suculente, apăsați butonul Alimente umede **N** ÎNAINTE de a apăsa butonul de vidare și etanșare.

### Etanșarea unei pungă fără eliminarea aerului

Pentru a etanșa o pungă fără a extrage aerul din aceasta, apăsați butonul Numai etanșare **L**. Puteți etanșa tipurile de pungă care sunt utilizate pentru a ambala gustări, cum ar fi chipsuri de cartofi, chipsuri tortilla etc.

### Etanșare articole delicate

Unele articole, cum ar fi produsele de patiserie, pâinea, biscuiții etc. se pot strivi la etanșări. Pentru a împiedica acest lucru, utilizați butonul Numai etanșare **L** după cum urmează:

1. Urmați pașii 1, 2, 3 și 4 din *Utilizarea dispozitivului de etanșare cu vid*.
2. Apăsăți butonul Numai etanșare **L** înainte de producerea strivirii. Acest lucru va opri imediat extragerea aerului și apoi va etanșa punga.

### Utilizarea Accesoriei FoodSaver™

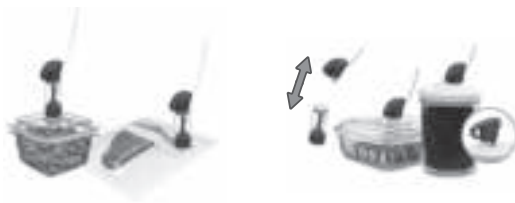
Pentru sigilarea în vid a unei pungă cu fermoar pentru păstrarea proapețimii sau a unui container pentru păstrarea proapețimii:

1. Inserați capătul conectorului sistemului portabil de etanșare **H** în portul pentru accesorii **G** de pe aparatul FoodSaver™.
2. Montați capătul sistemului retractabil portabil de sigilare pe supapa accesoriului și asigurați-vă că este bine cuplat. Urmați orice instrucțiuni specifice care sunt furnizate cu accesoriul FoodSaver™.

Notă: Pentru a sigila în vid o caserolă

FoodSaver™, scoateți rezervorul (secțiunea inferioară transparentă) a sistemului de sigilare trăgându-l în jos și desprinzându-l de secțiunea superioară. Introduceți vârful sistemului de sigilare în orificiul de pe caserolă.

3. Apăsăți butonul de vidare și etanșare **M**. Aparatul de ambalare cu vid va începe să scoată aerul din pungă.
4. Când luminile de progres **J** s-au oprit și lumina roșie de progres al etanșării **K** s-a stins, procesul este finalizat.

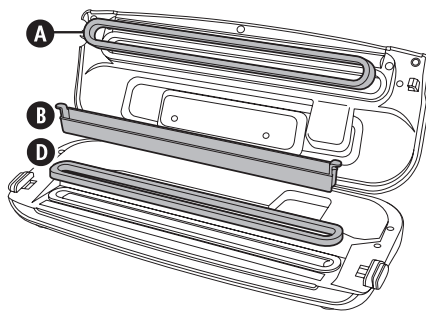


## Îngrijirea și curățarea

**Nu scufundați niciodată unitatea sau cablul de alimentare și ștecherul în apă sau în orice alt lichid. Deconectați întotdeauna unitatea înainte de curățare.**

Ștergeți corpul aparatului cu o lavetă moale, uscată. Îndepărtați și goliți tava pentru picurare **B** după fiecare utilizare. Spălați-o cu apă caldă cu săpun sau așezați-o pe raftul de sus al unei mașini de spălat vase. Uscați-o riguros înainte de a o remonta.

Verificați garnitura superioară **A**, garnitura inferioară **D** și în jurul tăvii pentru picurare pentru a vă asigura că acestea nu prezintă reziduuri alimentare. Dacă este necesar, ștergeți garniturile cu o lavetă cu apă caldă și săpun. Garniturile pot fi îndepărtate pentru curățare. Curățați-le cu apă caldă cu săpun. Uscați-le riguros și apoi montați-le înapoi cu grijă.



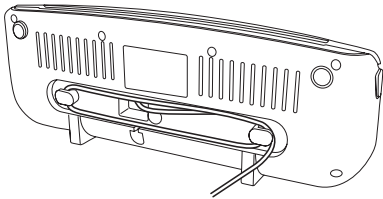
Scoateți rezervorul sistemului portabil de etanșare după fiecare utilizare. Spălați-l cu apă caldă și detergent și lăsați-l să se usuce complet înainte de a îl monta din nou.

Pentru a menține funcționarea eficientă a aparatului dvs. FoodSaver™, vă recomandăm să înlocuiți garniturile în fiecare an. Pentru a comanda piese de schimb, vizitați [www.foodsavereurope.com](http://www.foodsavereurope.com).

## Depozitarea

Închideți capacul până la primul „clic”, până când încuietorile se fixează, dar nu ies în afară și nu descoperă banda verde. Acest lucru este suficient pentru a fixa capacul și a evita comprimarea garniturilor (ceea ce poate cauza funcționarea incorectă a unității).

Înfășurați cablul în jurul clemelor de sub unitate. Unitatea poate fi depozitată vertical, conform imaginii.



## Ghid de depozitare, sfaturi și recomandări

### Ambalarea în vid și siguranța alimentelor

Procesul de ambalare în vid prelungeste durata de valabilitate a alimentelor eliminând majoritatea aerului din recipientul sigilat și reducând astfel oxidarea, care afectează valoarea nutritivă, gustul și calitatea generală. De asemenea, eliminarea aerului poate inhiba dezvoltarea microorganismelor, care pot produce probleme în anumite condiții:

Pentru a conserva alimentele în siguranță, este esențial să mențineți temperaturi scăzute. Puteți reduce semnificativ dezvoltarea microorganismelor la temperaturi de 4°C sau mai mici.

Congelarea la -17°C nu distruge microorganismele, dar le oprește dezvoltarea. Pentru depozitarea pe termen lung, congelați întotdeauna alimentele perisabile care au fost ambalate în vid și păstrați-le la frigider după decongelare.

Este important să rețineți că ambalarea în vid NU înlocuiește păstrarea în conserve și nu poate anula alterarea alimentelor. Poate doar să încetinească schimbările de calitate. Este dificil de estimat cât timp își vor păstra alimentele gustul, aspectul și textura de cea mai bună calitate, deoarece depinde de durata și starea alimentelor în ziua când au fost ambalate în vid.

Important: Ambalarea în vid NU înlocuiește refrigerarea sau congelarea. Orice alimente perisabile care necesită refrigerare trebuie să fie refrigerate sau congelate după ambalarea în vid. Pentru a evita posibilitatea de îmbolnăvire, nu refolosiți pungile în care ați depozitat carne crudă, pește crud sau alimente grase. Nu refolosiți pungile care au fost introduse în cuptorul cu microunde sau fierte.

## Decongelarea și reîncălzirea alimentelor ambalate în vid



Decongelați întotdeauna alimentele în frigider sau în cuptorul cu microunde; nu decongelați alimente perisabile la temperatura camerei.

Alimentele din pungă pot fi decongelate, dar nu reîncălzite într-un cuptor cu microunde. Când decongelați alimente în cuptorul cu microunde în pungile FoodSaver™, asigurați-vă că nu depășiți puterea maximă de 180 de wați (setarea de decongelare), durata maximă de 2 minute și temperatura maximă de 70°C (158°F). De asemenea, puteți reîncălzi alimente în pungi FoodSaver™ punându-le în apă la o temperatură constantă mai mică de 75°C (170°F). Urmați orice instrucțiuni specifice care sunt furnizate cu pungile FoodSaver™.

## Recomandări privind prepararea

### Carnea și peștele



Pentru rezultate optime, pre-congelați carnea și peștele timp de 1-2 ore înainte de a le sigila în vid într-o pungă FoodSaver™. Acest lucru va contribui la păstrarea sucurilor și formei inițiale și va asigura o sigilare mai bună. Dacă pre-congelarea nu este posibilă, așezați un șervețel de hârtie împăturit între carne sau pește și partea de sus a pungii, sub zona de sigilare.

Lăsați un șervețel de hârtie în pungă pentru a absorbi excesul de umezeală și sucurile în timpul procesului de sigilare în vid.

Notă: Carnea de vită poate avea o culoare mai închisă după sigilarea în vid, din cauza eliminării oxigenului. Acesta nu este un semn de alterare.

### Brânzeturile tari



Pentru a păstra brânzeturile proaspete, sigilați-le în vid după fiecare utilizare. Realizați pungi FoodSaver™ mai lungi decât pare a fi necesar, adăugând câte 25 mm de material pentru fiecare deschidere și resigilare planificată în plus față de cei 75 mm de material pe care îi lăsați în

mod normal între conținut și zona de sigilare.

Este suficient să tăiați marginea sigilată și să scoateți brânza. Atunci când sunteți gata să o resigilați, introduceți-o în pungă și faceți acest lucru.

Important: Din cauza riscurilor implicate de bacteriile anaerobe, brânzeturile moi nu trebuie niciodată sigilate în vid.

## Legumele



Legumele trebuie opărite înaintea sigilării în vid. Acest proces oprește acțiunea enzimelor care ar putea cauza pierderea gustului, a culorii sau a texturii.

Pentru a opări legumele, introduceți-le în apă clocotită sau în cuptorul cu microunde până ce sunt pătrunse, însă rămân crocante. Timpul de opărire este de 1-2 minute pentru legumele verzi și mazăre, de 3-4 minute pentru mazărea păstăi, dovleceii feliați sau broccoli, de 5 minute pentru morcovi și de 7-11 minute pentru știuleții de porumb. După opărire, scufundați legumele în apă rece pentru a opri procesul de gătire. În cele din urmă, uscați legumele pe un șervet înainte de sigilarea în vid.

Notă: Toate legumele (inclusiv broccoli, varza de Bruxelles, varza, conopida, varza kale, napii) emit în mod natural gaze în timpul depozitării. Prin urmare, după opărire, acestea trebuie depozitate numai în congelator.

Atunci când congelați legume, este de preferat să le pre-congelați timp de 1-2 ore sau până ce se solidifică. Pentru a congela legumele în porții separate, așezați-le pe hârtie de copt, separându-le astfel încât să nu se atingă între ele. Acest lucru va împiedica congelarea acestora sub forma unui bloc. După congelare, luați legumele de pe hârtia de copt și sigilați-le în vid într-o pungă FoodSaver™. După sigilarea în vid, introduceți-le în congelator.

Important: Din cauza riscurilor implicate de bacteriile anaerobe, ciupercile proaspete, ceapa și usturoiul nu trebuie niciodată sigilate în vid.

## Legumele verzi



Pentru rezultate optime, utilizați o caserolă pentru depozitarea legumelor verzi. Mai întâi, spălați legumele și uscați-le cu un șervet sau un container de uscat salata. După uscare, introduceți-le într-o caserolă și sigilați-le în vid conform procedurii normale. Depozitați-le în frigider.

## Fructele



Atunci când congelați fructe moi sau fructe de pădure, este recomandat să le pre-congelați timp de 1-2 ore sau până ce se solidifică. Pentru a congela fructele în porții separate, așezați-le pe hârtie de copt, separându-le astfel încât să nu se atingă între ele. Acest lucru va împiedica congelarea acestora sub forma unui bloc. După congelare, luați fructele de pe hârtia de copt și sigilați-le în vid într-o pungă FoodSaver™.

După sigilarea în vid, introduceți-le în congelator. Puteți sigila în vid porții de fructe în vederea coacerii sau în combinațiile dvs. preferate, pentru salate de fructe gata pregătite pe întreaga durată a anului. Dacă le depozitați în frigider, vă recomandăm să utilizați o caserolă FoodSaver™.

## Alimentele coapte



Pentru a sigila în vid alimente coapte moi sau aerate, vă recomandăm să utilizați o caserolă FoodSaver™, care le va permite să își păstreze forma. Dacă utilizați o pungă, pre-congelați timp de 1-2 ore sau până ce se solidifică. Pentru a economisi timp, pregătiți aluat pentru fursecuri, cruste de tartă, tarte întregi sau amestecați din timp ingredientele uscate și sigilați-le în vid pentru utilizare ulterioară.

## Cafeaua și alimentele sub formă de pudră



Pentru a evita aspirarea particulelor de alimente în pompa de vid, puneți un filtru de cafea sau un șervet de hârtie în partea superioară a pungii sau caserolei înainte de sigilarea în vid. Puteți, de asemenea, introduce alimentele aflate în ambalajul original într-o pungă FoodSaver™ sau puteți utiliza un capac universal FoodSaver™ pe recipientul original pentru a îl sigila în vid.

## Lichidele



Înainte de a sigila în vid lichide precum supa, pre-congelați-le într-o caserolă, o formă de cozonac sau o tavă de cuburi de gheață până ce se solidifică. Scoateți lichidul congelat din recipientul respectiv și sigilați-l în vid într-o pungă FoodSaver™. Puteți stivui aceste „cărămizi congelate” în congelator.

Când sunteți gata să le utilizați, tăiați un colț al pungii și introduceți-o într-un vas în cuptorul cu microunde sau în apă, la temperatură mai mică de 75°C (170°F).

Pentru a ambala cu vid lichide necarbogazoase îmbuteliate, puteți folosi un dop de sticle FoodSaver™ împreună cu containerul original.

Nu uitați să lăsați un spațiu de cel puțin 2,5 cm între conținut și partea de jos a dopului. Puteți resigila sticlele după fiecare utilizare.

## Mesele gata preparate, resturile și sandvișurile



Depozitați eficient mesele gata preparate, resturile și sandvișurile în containerele FoodSaver™ ușoare, care pot fi stivuite. Acestea se pot folosi în cuptorul cu microunde, pe raftul de sus al mașinii de

spălat vase și sunt livrate cu un adaptor personalizat.

Containerele ușoare sunt gata de luat la serviciu, la școală sau la picnic!

## Gustările



Gustările dvs. își vor menține prospețimea mai mult timp dacă le sigilați în vid. Pentru rezultate optime, folosiți o caserolă FoodSaver™ pentru alimente fragile, cum ar fi sărățelele.

## Depanarea

Problemă	Soluție
Lumina de avertizare pentru supraîncălzire <b>O</b> se aprinde.	<ul style="list-style-type: none"><li>Unitatea s-a supraîncălzit. Așteptați până la stingerea lumini de avertizare pentru supraîncălzire înainte de utilizare.</li></ul>
Pompa funcționează mai mult de 2 minute fără ca aerul să fie eliminat.	<ul style="list-style-type: none"><li>Asigurați-vă că ați introdus capătul deschis al pungii în tava pentru picurare.</li><li>Verificați dacă ambele garnituri sunt montate corespunzător.</li><li>Verificați dacă cel puțin un capăt al pungii este etanșat.</li><li>Deschideți unitatea și asigurați-vă că nu sunt corpuri străine, murdărie sau reziduuri pe garnitura superioară sau inferioară.</li><li>Asigurați-vă că este spațiu suficient în partea superioară a pungii (75 mm), astfel încât să încapă în tava pentru picurare având capacul închis și blocat.</li><li>Asigurați-vă că nu este montat sistemul portabil de etanșare.</li><li>Verificați dacă este complet închis capacul (banda verde este vizibilă în jurul încuietorii și lumina verde de alimentare este aprinsă).</li></ul>
Punga nu etanșează corespunzător.	<ul style="list-style-type: none"><li>Este prea mult lichid în pungă. Congelați conținutul pungii înainte de vidare.</li><li>Pentru a preveni încrețirea etanșării, întindeți ușor punga până când este netedă în timp ce o introduceți în tava pentru picurare și continuați să țineți de pungă până când pornește pompa de vidare.</li><li>Creați o a doua etanșare peste prima etanșare a pungii, pentru a asigura închiderea corespunzătoare la etanșarea alimentelor umede.</li></ul>
Nu se întâmplă nimic atunci când încuietoarea este închisă și este apăsat butonul de vidare și etanșare sau butonul Numai etanșare.	<ul style="list-style-type: none"><li>Verificați dacă este complet închis capacul (banda verde este vizibilă în jurul încuietorii și lumina verde de alimentare este aprinsă).</li></ul>
Dacă aveți nevoie de asistență suplimentară:	<ul style="list-style-type: none"><li>Vizitați-ne la <a href="http://www.foodsavereurope.com">www.foodsavereurope.com</a> și selectați-vă regiunea.</li></ul>



## Garanție

Vă rugăm să păstrați chitanța, prezența acesteia fiind solicitată în cazul oricăror solicitări de reparație acoperite de garanție.

Garanția acestui aparat este de 2 ani de la data achiziției, conform informațiilor din acest document.

În timpul perioadei de garanție, în cazul puțin probabil în care aparatul nu mai funcționează din cauza unei defecțiuni de design sau de fabricație, înapoiți-l magazinului de unde l-ați achiziționat, împreună cu bonul de casă și o copie a acestei garanții.

Drepturile și beneficiile oferite conform acestei garanții sunt suplimentare față de drepturile dvs. legale, care nu sunt afectate de această garanție. Jarden Consumer Solutions (Europe) Ltd. („JCS (Europe)”) își rezervă dreptul de a modifica acești termeni.

JCS (Europe) își asumă, pe perioada garanției, obligația de a repara sau de a înlocui gratuit aparatul sau orice componentă a aparatului care se dovedește a nu funcționa, în următoarele condiții:

- să anunțați imediat magazinul sau JCS (Europe) despre apariția problemei; și
- aparatul să nu fi fost modificat în niciun fel sau să nu fi fost supus deteriorărilor, întrebuițării greșite, abuzurilor, reparațiilor sau modificărilor efectuate de către alte persoane decât cele autorizate de JCS (Europe).

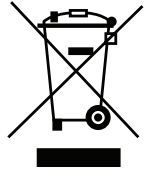
Defecțiunile care apar în urma utilizării neadecvate, deteriorării, abuzului, alimentării la tensiuni neadecvate, catastrofelor naturale, evenimentelor neprevăzute de JCS (Europe), reparației sau modificării de către o altă persoană decât cele autorizate de JCS (Europe) sau nerespectării instrucțiunilor de utilizare nu sunt acoperite de această garanție. În plus, uzura normală, incluzând, fără a se limita la, decolorările minore și zgârieturile nu sunt acoperite de această garanție.

Drepturile prevăzute în această garanție se vor aplica numai primului cumpărător și nu se extind în cazul utilizării comerciale sau comune.

Dacă aparatul dvs. are inclusă o garanție specifică țării de utilizare sau o garanție suplimentară, vă rugăm să consultați, pentru informații suplimentare, termenii și condițiile respectivei garanții și nu ale acesteia sau să contactați distribuitorul local autorizat.

Deșeurile provenite din produsele electrice nu trebuie eliminate împreună cu deșeurile menajere. Vă rugăm să le reciclați dacă aveți această posibilitate. Pentru informații suplimentare privind reciclarea și deșeurile provenite din echipamentele electrice și electronice, contactați-ne prin e-mail la adresa [enquiriesEurope@jardencs.com](mailto:enquiriesEurope@jardencs.com).

Jarden Consumer Solutions (Europe) Limited  
5400 Lakeside  
Cheadle Royal Business Park  
Cheadle  
SK8 3GQ  
United Kingdom



## Важни предпазни мерки

Този уред може да се използва от деца на възраст над 8 години и от лица с намалени физически, сетивни или психически възможности, или без опит или познания, ако са под наблюдение или са били инструктирани за безопасна употреба на уреда и разбират опасностите, свързани с неговата експлоатацията. Децата не трябва да си играят с уреда. Почистването и поддръжката не трябва да се извършват от деца, които не са под наблюдение.

Ако захранващия кабел е повреден, трябва да бъде заменен от производителя, от негов сервизен представител или от подобни квалифицирани лица, за да няма заплаха за безопасността.

- Винаги поставяйте уреда върху стабилна, надеждна, суха и равна повърхност.
- **ВНИМАНИЕ: ТОЗИ УРЕД ЗА ЗАПЕЧАТВАНЕ НЕ Е ПРЕДНАЗНАЧЕН ЗА ТЪРГОВСКИ ЦЕЛИ.** Никога не използвайте уреда за цели, различни от неговото предназначение. Този уред е само за домашна употреба. Не използвайте уреда на открито.
- Никога не потапяйте уреда или захранващия кабел и щепсела във вода или други течности.
- Не използвайте уреда, ако е бил изпускан или ако има видими следи от повреда.
- Преди да пристъпите към почистване, уверете се, че уредът е изключен и че щепселът е изваден от мрежовия контакт след употреба.
- За да изключите, извадете захранващия кабел от електрическия контакт. Не дърпайте кабела, за да го изключите.
- Не използвайте удължител с уреда.
- Използвайте единствено аксесоари или приставки, препоръчани от производителя.
- При затопляне на храна в пликосе FoodSaver™ не забравяйте да ги поставите в загрята вода с ниска температура, под 75°C (170°F).
- **ХРАНИТЕЛНИТЕ ПРОДУКТИ В ПЛИКА МОГАТ ДА БЪДАТ РАЗМРАЗЕНИ, НО НЕ И ПРЕТОПЛЕНИ В МИКРОВОЛНОВА ФУРНА.** Когато размразявате хранителни продукти в пликосе FoodSaver™ в микровълнова фурна, се погрижете да не се превишават максимална мощност от 180 вата (настройка за размразяване), максимално време от 2 минути и максимална температура от 70°C (158°F).

### ЗАПАЗЕТЕ НАСТОЯЩИТЕ ИНСТРУКЦИИ

## Система за вакуумиране и запечатване FoodSaver™

### Защо да пакетираме с вакуум?

Излагането на хранителните продукти на въздух води до загуба на техните хранителни и вкусови свойства и улеснява развитието на много бактерии, плесен и дрожди. Системата за вакуумно пакетиране FoodSaver™ изсмуква въздуха и запечатва храната заедно с нейния вкус и качество. С пълната гама пликосе и кутии FoodSaver™, предоставящи ви повече възможности, сега можете да се насладите на ползите от научно доказан метод за съхранение, с който да запазите храната свежа за пет пъти по-дълъг период.

### Системата FoodSaver™ спестява време и пари.

- Спестете пари. Със системата FoodSaver™ можете да купувате на едро или от разпродажба и да вакуумирате и запечатвате храната на желаните порции, без остатъци.
- Спестете време. Сгответе храна за цялата седмица, пригответе ястията и ги съхранете в пликосете FoodSaver™.
- Мариновайте за минути. Процесът на вакуумно пакетиране отваря порите на храната, така че получавате страхотен маринован вкус само за 20 минути вместо за цяла нощ.
- Направете събиранията по-лесни и приятни. Пригответе вашия специалитет предварително, за да можете да отделите повече време на гостите си.
- Насладете се на сезонни храни или на специалитети. Запазете бързо развалящите се или рядко употребяваните продукти свежи за по-дълго.
- Регулирайте порциите при диети. Вакуумирайте и запечатвайте съобразени порции и запишвайте калориите и количеството мазнини на плика.
- Запазете нехранителни продукти. Запазете сухи и подредени за екскурзия продуктите за къмпинг или ветроходство. Защитете от потъмняване полираното сребро, като сведете до минимум неговото окисляване.

## Аксесоари на FoodSaver™

Възползвайте се максимално от вашия уред FoodSaver™ с лесните за употреба пликосе, кутии и аксесоари на FoodSaver™.

### Пликосе и ролки FoodSaver™

Пликосете и ролките FoodSaver™ имат специални каналчета, които позволяват ефикасно изсмукване на въздуха. Многослойната им структура ги прави особено ефикасна бариера за кислород и влага и спомага за предпазване от изгаряне от измръзване. Има голямо разнообразие от пликосе и ролки FoodSaver™.

## Кутии FoodSaver™

Кутиите FoodSaver™ са лесни за употреба и идеални за вакуумно пакетиране на деликатни продукти като мъфини и други печени изделия, течности и сухи храни.

## Пликове с цип за съхранение на продуктите в свежо състояние FoodSaver™

Пликовете с цип FoodSaver™ имат специални каналчета, които позволяват ефективно изсмукване на въздуха. Многослойната им структура ги прави изключително ефикасна бариера за кислорода и влагата.

## Кутии за съхранение на продуктите в свежо състояние FoodSaver™

Кутиите за съхранение в свежо състояние FoodSaver™ са лесни за употреба и идеални за вакуумно пакетиране на деликатни продукти като мъфини и други печени изделия, течности и сухи храни.

## Тапа за бутилки FoodSaver™

Използвайте тапата за бутилки FoodSaver™ за вакуумиране и запечатване на вино, негазирани напитки и олио. Това ще увеличи срока на съхранение на течностите и ще запази техния вкус. Не използвайте тапата за бутилки за пластмасови бутилки.

## Уред за бързо маринование FoodSaver™

Уредът за бързо маринование придава аромат на храната за минути вместо за часове, като благодарение на силата на вакуума маринатата прониква дълбоко в храната.

## Изготвяне на поръчка

За да поръчате пликове FoodSaver™, ролки за вакуумиране и аксесоари, посетете [www.foodsavereurope.com](http://www.foodsavereurope.com) и изберете вашия регион.

## Частии

Вижте Фиг. 1:

- |   |   |
|---|---|
| <b>A</b> Горно уплътнение                         | <b>I</b> Светлинен индикатор за захранването                |
| <b>B</b> Подвижна ваничка за събиране на течности | <b>J</b> Светлинен индикатор за изпълнение                  |
| <b>C</b> Лостче за капака                         | <b>K</b> Светлинен индикатор за изпълнение на запечатването |
| <b>D</b> Долно уплътнение                         | <b>L</b> Бутон Само запечатване                             |
| <b>E</b> Лента за запечатване                     | <b>M</b> Бутон за вакуумиране и запечатване                 |
| <b>F</b> Контролен панел                          | <b>N</b> Бутон за мека храна                                |
| <b>G</b> Порт за аксесоари                        | <b>O</b> Светлинен индикатор за прегряване                  |
| <b>H</b> Ръчно устройство за запечатване          |   |

## Как да направим плик от ролка FoodSaver™

Можете да направите пликове с персонализирани размери от ролка FoodSaver™. Вижте Фиг. 2:

1. Включете уреда за вакуумиране и запечатване в мрежовия контакт. Натиснете двете лостчета **C** и отворете капака. Поставете отворения край на ролката върху запечатващата лента **E**, така че краят на ролката да съвпада с предната страна на долното уплътнение. Не позволявайте краят на плика да влиза във ваничката.
2. Затворете капака плътно, докато лостчетата **C** не изскочат. Когато е правилно затворено, около лостчето ще се появи зелена лента, а зеленият светлинен индикатор за мощност **I** ще светне.
3. Натиснете бутона Само запечатване **L** или бутона за вакуумиране и запечатване **M**.
4. Когато червеният светлинен индикатор за изпълнение на запечатването **K** изгасне, натиснете двете лостчета и извадете ролката. Краят на ролката вече ще е запечатан.
5. Измерете желаната дължина за продукта, който искате да пакетирате. Добавете допълнителни 75 mm, за да позволите на плика да се запечата, след което изрежете равномерно ролката по дължина.

## Използване на уреда за вакуумиране и запечатване

Вижте Фиг. 3:

1. Поставете продукта за опаковане в плика. Можете да използвате готов плик FoodSaver™ или сами да си направите плик от ролка FoodSaver™.
2. Поставете отворения край на плика в отвора на ваничката за събиране на течности **B**.
3. Затворете и защипете капака. Когато е правилно затворено, около лостчето ще се появи зелена лента, а зеленият светлинен индикатор за мощност **I** ще светне.
4. Натиснете бутона за вакуумиране и запечатване **M**.
5. Уредът за вакуумиране ще започне за изсмуква въздуха от плика, след което ще го запечата. Когато светлинните индикатори за изпълнение **I** изгаснат и червеният индикатор за изпълнение на запечатването **K** изгасне, процесът е завършен.

## Пакетиране на мека храна

Ако пакетирате меки продукти или храни със сос, натиснете бутона за мека храна **N**, ПРЕДИ да натиснете бутона за вакуумиране и запечатване.

## Запечатване на плик без изсмукване на въздуха

За да запечатате плик, без да изсмуквате въздуха от него, натиснете бутон Само запечатване **L**. Можете да запечатвате видовете пликове, които се използват за пакетиране на закуски като чипс, тортила чипс и др.

## Запечатване на деликатни продукти

Някои продукти като сладкарски изделия, хляб, бисквити и др. могат да се смачкат при запечатване. За да избегнете това, използвайте бутона Само запечатване **L** както следва:

1. Следвайте стъпки 1, 2, 3 и 4 от „Използване на уреда за вакуумиране и запечатване“.
2. Натиснете бутона Само запечатване **L**, преди да се стигне до смачкване. Това незабавно ще прекрати изсмукването на повече въздух, след което пликът ще се запечата.

## Използване на аксесоари FoodSaver™

За вакуумиране и запечатване на плик с цип за запазване на продуктите в свежо състояние или кутия за съхраняване в свежо състояние:

1. Вкарайте конекторния край на устройството за ръчно запечатване **H** в порта за аксесоари **G** на уреда FoodSaver™.
2. Поставете края на ръчното устройство за запечатване върху клапана на аксесоара и проверете дали същият е свързан стабилно. Следвайте всички специфични инструкции, предоставени с аксесоара FoodSaver™. **Забележка:** За вакуумиране и запечатване на кутия FoodSaver™ махнете резервоара (прозрачната долна част) от уреда за запечатване чрез дърпане надолу от горната част. Вкарайте върха на уреда за запечатване в порта на кутията.
3. Натиснете бутона за вакуумиране и запечатване **M**. Вашият уред за вакуумно пакетиране ще започне да изсмуква въздуха от аксесоара.
4. Когато светлинните индикатори за изпълнение **J** изгаснат и червеният индикатор за изпълнение на запечатването **K** изгасне, процесът е завършен.

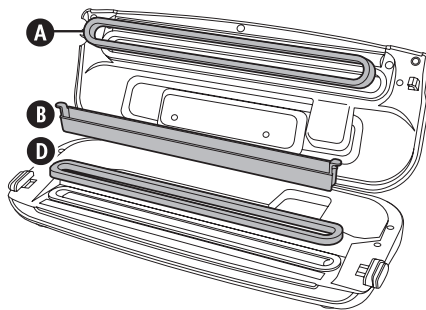
## Поддръжка и почистване

Никога не потапяйте уреда или захранващия кабел и щепсела във вода или други течности. Винаги изключвайте уреда от контакта преди почистване.

Избършете тялото на уреда с мека и суха кърпа.

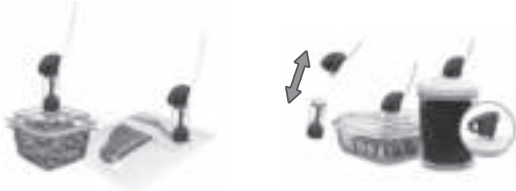
Сваляйте и изправайте ваничката **B** след всяко ползване. Измийте го с топла сапунена вода или го поставете в горната кошница на миялната машина. Подсушете добре, преди да го поставите отново на мястото му.

Проверете горното уплътнение **A**, долното уплътнение **D** и около ваничката, за да се уверите, че по тях няма остатъци от храна. Избършете уплътненията с кърпа, напоена с топла сапунена вода, при необходимост. Уплътненията могат да се свалят за почистване. Почистете ги с топла сапунена вода. Подсушете добре, след това внимателно ги поставете обратно на мястото им.



След всяко използване махайте резервоара на ръчното устройство за запечатване. Измийте го с топла сапунена вода и го подсушете на въздух, преди да го поставите обратно.

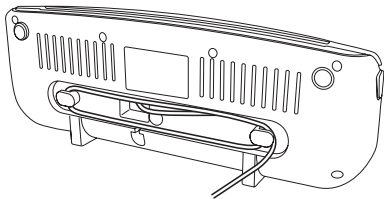
За да поддържате ефективната работа на вашия уред FoodSaver™, ние ви препоръчваме да сменяте уплътненията всяка година. За да поръчате уплътнения за смяна, моля, посетете [www.foodsavereurope.com](http://www.foodsavereurope.com).



## Съхранение

Затворете капака до първото щракване, докато захванат постчетата, но не позволявайте на зелената лента да изскача или излиза. Това е достатъчно, за да подсигурите капака, но избягвайте да притискате уплътненията (което може да доведе до неправилно функциониране на уреда).

Навийте кабела около издатините под уреда. Уредът може да се съхранява изправен, както е показано.



## Ръководство за съхранение, указания и съвети

### Вакуумно пакетиране и безопасност на храните

Процесът на вакуумно пакетиране увеличава срока на съхранение на храните чрез отстраняване на повечето въздух от запечатаната кутия, като по този начин се намалява окисляването, което оказва влияние върху хранителната стойност, вкуса и цялостното качество на храните. Отстраняването на въздуха може също така да възпрепятства развитието на микроорганизми, които при дадени условия е възможно да създадат проблеми:

За безопасното съхранение на храните от изключително значение е поддържането на ниски температури. При температури от 4°C или по-ниски можете да намалите значително развитието на микроорганизми.

Замразяване при -17°C не убива микроорганизмите, но спира тяхното развитие. За по-дълготрайно съхранение винаги замразявайте нетрайните храни, които са вакуумно пакетираны, и ги дръжте в хладилник след размразяването им.

Важно е да се отбележи, че вакуумното пакетиране НЕ замества консервирането и не може да предотврати развалянето на храните. То може единствено да забави промените в тяхното качество. Трудно е да се прогнозира времето, за което храните ще запазят най-добрия си вкус, вид или текстура, понеже това зависи от датата на производство и състоянието на хранителния продукт към момента на неговото вакуумно пакетиране.

Важно: Вакуумното пакетиране НЕ замества съхранението в хладилник или фризер. Всички нетрайни храни, които изискват съхранение в хладилник, трябва да бъдат съхранявани в хладилник или да бъдат замразени и след вакуумното им пакетиране. За да се избегнат възможни заболявания, не използвайте повторно пликите, след като сте съхранявали в тях сурово месо, сурова риба или мазни храни. Не използвайте повторно пликите, които са били използвани в микровълнова фурна или за претопляне на храна.

## Размразяване и претопляне на вакуумно пакетираны храни



Винаги размразявайте храната в хладилник или микровълнова фурна – не размразявайте нетрайни храни на стайна температура.

Хранителните продукти в плика могат да бъдат размразени, но не и претоплени в микровълнова фурна. Когато размразявате хранителни продукти в пликите FoodSaver™ в микровълнова фурна, се погрижете да не се превишават максимална мощност от 180 вата (настройка за размразяване), максимално време от 2 минути и максимална температура от 70°C (158°F). Можете също така да затопляте храна в пликите FoodSaver™ чрез поставяне на пликите в загрята вода с ниска температура, под 75°C (170°F). Следвайте всички специфични инструкции, предоставени с пликите FoodSaver™.

## Указания за подготовка

### Месо и риба



За да постигнете най-добри резултати, замразете предварително месото и рибата 1–2 часа преди вакуумиране и запечатване в плик FoodSaver™. Това помага за запазване на сока и формата и гарантира по-добро запечатване. Ако не е възможно да се извърши предварително замразяване, поставете сгъната хартиена салфетка между месото или рибата и плика, но под зоната на запечатване.

Оставете хартиена салфетка в плика, която да абсорбира излишната влага и сокове по време на процеса на вакуумиране и запечатване.

Забележка: Телешкото месо може да изглежда по-тъмно след вакуумиране и запечатване поради изсмукването на кислорода. Това не е признак, че месото е развалено.

### Твърди сирена



За да запазите сиренето свежо, го вакуумирайте и запечатвайте след всяка употреба. Направете вашия плик FoodSaver™ по-дълъг, като оставите по 25 mm материал от плика за всеки път, когато възнамерявате да отворите и запечатате отново, в допълнение на дължината от 75 mm, която обикновено се оставя между съдържанието и шева.

Просто отрежете запечатания край и извадете сиренето. Когато сте готови да запечатате сиренето, просто го поставете в плика и запечатайте отново.

Важно: Поради опасността от анаеробни бактерии, меките сирена не трябва никога да се запечатват с вакуум.

## Зеленчуци



Зеленчуците трябва да се бланшират преди вакуумирането и запечатването им. Този процес спира действието на ензимите, което би могло да доведе до загуба на вкус, цвят и текстура.

За да бланширате зеленчуци, поставете ги във вряща вода или в микровълнова фурна, докато се сварят, но все още са хрупкави. Времето за бланширане е от 1 до 2 минути за листни зеленчуци и грах; 3 до 4 минути за сладък грах, нарязани тиквички или броколи; 5 минути за моркови; и 7 до 11 минути за царевича на кочани. След бланширането потопете зеленчуците в студена вода, за да спрете процеса на варене. Последната стъпка е да изсушите зеленчуците върху кърпа преди вакуумирането и запечатването.

**Забележка:** Всички зеленчуци (включително броколи, брюкселско зеле, зеле, цветно зеле, кале, ряпа) изпускат по естествен начин газове по време на съхранение. Поради това, след бланширане те трябва да се съхраняват само във фризер.

Когато се замразяват зеленчуци, най-добре е същите да се замразят предварително 1–2 часа или докато се втвърдят. За да замразите зеленчуци на порции, първо поставете същите върху хартия за печене и ги разпределете така, че да не се докосват. Това предотвратява замръзването им заедно в блок. Щом зеленчуците замръзнат, ги махнете от хартията за печене и ги вакуумирайте и запечатайте в пликата FoodSaver™. След вакуумирането и запечатването им ги върнете във фризера.

**Важно:** Поради опасността от анаеробни бактерии, пресните гъби, лук и чесън не трябва никога да се запечатват вакуумно.

## Листни зеленчуци



За постигане на най-добри резултати използвайте кутия за съхранение на листни зеленчуци. Първо измийте зеленчуците и след това ги изсушете с кърпа или центрофуга за салата. След като бъдат изсушени, ги поставете в кутия за съхранение и ги вакуумирайте и запечатайте по обичайния начин. Съхранявайте в хладилник.

## Плодове



Когато се замразяват меки плодове или такива от типа на ягодите, най-добре е същите да се замразят предварително 1–2 часа или докато се втвърдят. За да замразите плодове на порции, първо поставете същите върху хартия за печене и ги разпределете така, че да не се докосват. Това предотвратява замръзването им заедно в блок. Щом плодовете замръзнат, ги махнете от хартията за печене и ги вакуумирайте и запечатайте в пликата FoodSaver™.

След вакуумирането и запечатването им ги върнете във фризера. Можете да вакуумирате и запечатвате като порции за печене или в любими ваши комбинации за цялогодишно лесно приготвяне на плодови салати. При съхранение в хладилник препоръчваме използване на кутия за съхранение FoodSaver™.

## Печени продукти



За вакуумно запечатване на меки или рохки продукти препоръчваме използване на кутия FoodSaver™, за да се запази тяхната форма. Ако използвате плик, замразете предварително в продължение на 1–2 часа или докато се втвърдят. За да спестите време, подгответе тесто за курабии, блатове за пай, цели пайове или предварително приготвена смес от сухи съставки и ги вакуумирайте и запечатайте за по-късна употреба.

## Кафе и прахообразни храни



За да се избегне засмукването на частици храна от вакуумната помпа, поставете филтър за кафе или хартиена салфетка върху горната част на плика или кутията преди вакуумиране и запечатване. Можете също да поставите храната в нейната оригинална опаковка в плик FoodSaver™ или да използвате универсален капак FoodSaver™ с първоначалния съд за вакуумиране и запечатване.

## Течности



Преди вакуумиране и запечатване на течности, като например бульон, замразете предварително в касерола, форма за кекс или форма за ледени кубчета, до твърдо състояние. Извадете замръзналата течност от формата и я вакуумирайте и запечатайте в плик FoodSaver™. Можете да подредите тези „замръзнали тухлички“ във фризера.

Когато сте готови да ги използвате, само отрежете ъгъла на пликата и го поставете в чиния в микровълновата фурна или го потопете в загрята вода с температура под 75°C (170°F).

За вакуумиране и запечатване на негазирани бутилирани течности можете да използвате тапа за вакуумиране на бутилки FoodSaver™ с първоначалния съд.

Не забравяйте да оставите разстояние поне 25 mm между съдържанието и долната част на тапата за вакуумиране на бутилки. След всяко използване можете отново да запечатате бутилките.

## Предварително приготвени ястия, останала храна и сандвичи



Съхранявайте ефикасно вашите предварително приготвени ястия, останала храна и сандвичи в леките, поставящи се една в друга, кутии FoodSaver™. Те са подходящи за микровълнова фурна, могат да се измиват в горната кошница на съдомиялна машина и се доставят със специален адаптер.

Леките кутии ще са с вас, където и да се намирате, в офиса, в училище или на излет.

## Закуски



Вашите закуски ще запазят по-дълго свежестта си, когато ги вакуумирате и запечатате. За най-добри резултати използвайте кутия FoodSaver™ за трошливи продукти, като например солени бисквити.

## Отстраняване на неизправности

Проблем	Решение
Светлинният индикатор за прегряване <b>Осветва</b> .	<ul style="list-style-type: none"><li>• Уредът е прегрял. Преди да използвате уреда, изчакайте, докато светлинният индикатор за прегряване угасне.</li></ul>
Помпата работи повече от 2 минути, без да се изсмуква въздух.	<ul style="list-style-type: none"><li>• Уверете се, че отвореният край на плика е поставен във ваничката за събиране на течности.</li><li>• Проверете, за да се уверите, че и двете уплътнения са правилно поставени.</li><li>• Проверете, за да се уверите, че поне единият от краищата на плика е запечатан.</li><li>• Отворете уреда и проверете, за да се уверите, че няма чужди тела, мръсотия или остатъци по горното или долното уплътнения.</li><li>• Уверете се, че има достатъчно място на горната страна на плика (75 mm), за да влезе във ваничката за събиране на течности при затворен и защипан капак.</li><li>• Уверете се, че ръчното устройство за запечатване не е прикрепено.</li><li>• Уверете се, че капакът е напълно затворен (зелената лента се показва около лостчето и зеленият светлинен индикатор свети).</li></ul>
Пликът не се запечатва правилно.	<ul style="list-style-type: none"><li>• Има прекалено много течност в плика. Замразете съдържанието на плика, преди да вакуумирате.</li><li>• За да се избегнат гънки по шева, леко изпънете плика, докато го поставяте във ваничката за събиране на течности, като продължете да го придържате, докато вакуумната помпа се включи.</li><li>• Направете втори шев на плика над първия, за да има достатъчно надежден шев, когато вакуумирате меки храни.</li></ul>
При затворено лостче натискането на бутона за вакуумиране и запечатване или бутона Само вакуумиране няма никакъв ефект.	<ul style="list-style-type: none"><li>• Уверете се, че капакът е напълно затворен (зелената лента се показва около лостчето и зеленият светлинен индикатор свети).</li></ul>
Ако се нуждаете от допълнителна помощ:	<ul style="list-style-type: none"><li>• Моля, посетете <a href="http://www.foodsavereurope.com">www.foodsavereurope.com</a> и изберете вашия регион.</li></ul>

## Гаранция

Моля, пазете касовата бележка, тъй като ще ви бъде необходима за каквито и да е реклаamationи по настоящата гаранция.

Този уред има гаранция от 2 години, след като го закупите, както е описано в настоящия документ.

По време на този гаранционен срок, ако в малко вероятния случай уредът спре да функционира поради неизправност в конструкцията или в изработката, моля, върнете го обратно на мястото, откъдето сте го закупили, с вашата касова бележка и копие на настоящата гаранция.

Правата и ползите по настоящата гаранция са в допълнение към вашите установени със закон права, които не са засегнати от настоящата гаранция. Единствено Jarden Consumer Solutions (Europe) Ltd. („JCS (Europe)“) има правото да променя тези условия.

JCS (Europe) поема задължението в рамките на гаранционния срок да ремонтира безплатно или да замени уреда, или каквото и да е част от уреда, ако се установи, че не работи правилно, при условие че:

- надлежно уведомите мястото на закупуване или JCS (Europe) за проблема; и
- уредът не е бил модифициран по какъвто и да е начин или не е бил предмет на неправилна употреба, злоупотреба, ремонт или изменение от лице, което не е оторизираното от JCS (Europe).

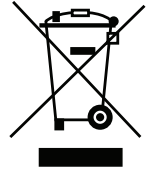
Неизправности, появили се в резултат от неправилна употреба, повреда, злоупотреба, използване с неправилно напрежение, природни бедствия, събития извън контрола на JCS (Europe), ремонт или модификация от лице, различно от оторизираното от JCS (Europe) лице, или в резултат от неспазване на инструкциите за употреба, не се покриват от настоящата гаранция. Освен това нормалното износване на уреда, включително, но не само, леко обезцветяване и драскотини, не се покриват от настоящата гаранция.

Правата по настоящата гаранция се прилагат само за първоначалния купувач и не продължават действието и валидността си при търговска или обща употреба.

Ако вашият уред включва притурка със специфична за страната гаранция, моля, вижте сроковете и условията на тази гаранция вместо настоящата гаранция, или се обърнете към вашия местен оторизиран дилър за повече информация.

Отпадъците от електрически продукти не трябва да се изхвърлят в контейнерите за отпадъци от домакинствата. Моля, рециклирайте такива отпадъци, където съществуват съоръжения за това. Изпратете ни имейл на: [enquiriesEurope@jardencs.com](mailto:enquiriesEurope@jardencs.com) за информация относно по-нататъшно рециклиране и относно WEEE (директивата за отпадъците от електрически и електронно оборудване (OEEO)).

Jarden Consumer Solutions (Europe) Limited  
5400 Lakeside  
Cheadle Royal Business Park  
Cheadle  
SK8 3GQ  
United Kingdom





## Σημαντικές Προφυλάξεις

Η συσκευή αυτή μπορεί να χρησιμοποιηθεί από παιδιά 8 ετών και άνω και από άτομα με μειωμένες σωματικές, αισθητήριες ή διανοητικές ικανότητες ή έλλειψη εμπειρίας και γνώσης, εφόσον επιτηρούνται ή έχουν λάβει οδηγίες για ασφαλή χρήση της συσκευής και έχουν επίγνωση των κινδύνων που ενέχονται. Μην αφήνετε τα παιδιά να παίζουν με τη συσκευή. Δεν πρέπει να γίνεται καθαρισμός και συντήρηση από παιδιά χωρίς επιτήρηση. Αν το καλώδιο παροχής έχει φθαρεί, πρέπει να αντικατασταθεί από τον κατασκευαστή, τον αντιπρόσωπο σέρβις ή παρόμοια καταρτισμένα άτομα για την αποφυγή κινδύνου.

- Να χρησιμοποιείτε πάντα τη συσκευή σε σταθερή, ασφαλή, στεγνή και επίπεδη επιφάνεια.
- ΠΡΟΣΟΧΗ: ΑΥΤΗ Η ΣΥΣΚΕΥΗ ΣΦΡΑΓΙΣΗΣ ΔΕΝ ΕΙΝΑΙ ΓΙΑ ΕΜΠΟΡΙΚΗ ΧΡΗΣΗ. Μην χρησιμοποιείτε ποτέ αυτή τη συσκευή για οτιδήποτε άλλο εκτός από την προβλεπόμενη χρήση της. Η συσκευή αυτή είναι μόνο για οικιακή χρήση. Μην χρησιμοποιείτε τη συσκευή σε εξωτερικό χώρο.
- Μην βυθίζετε ποτέ την κεντρική μονάδα ή το καλώδιο ρεύματος και το βύσμα στο νερό ή οποιοδήποτε άλλο υγρό.
- Μην χρησιμοποιείτε τη συσκευή αν έχει πέσει ή αν υπάρχουν εμφανή σημάδια φθοράς.
- Βεβαιωθείτε ότι η συσκευή είναι απενεργοποιημένη και ότι το βύσμα έχει αφαιρεθεί από την πρίζα μετά τη χρήση, πριν τον καθαρισμό.
- Για αποσύνδεση βγάλτε το καλώδιο ρεύματος από την ηλεκτρική πρίζα. Μην αποσυνδέετε τραβώντας το καλώδιο.
- Μην χρησιμοποιείτε καλώδιο επέκτασης με τη συσκευή.
- Χρησιμοποιείτε μόνο αξεσουάρ ή εξάρτημα που συνιστά ο κατασκευαστής.
- Όταν ξαναζεσταίνετε φαγητά στις σακούλες του FoodSaver™ βεβαιωθείτε ότι τις βάζετε στο νερό σε χαμηλή θερμοκρασία κάτω των 75°C (170°F).
- ΤΡΟΦΙΜΑ ΜΕΣΑ ΣΤΗ ΣΑΚΟΥΛΑ ΜΠΟΡΟΥΝ ΝΑ ΑΠΟΨΥΧΘΟΥΝ ΑΛΛΑ ΟΧΙ ΝΑ ΞΑΝΑΖΕΣΤΑΘΟΥΝ ΣΕ ΦΟΥΡΝΟ ΜΙΚΡΟΚΥΜΑΤΩΝ Όταν αποψύχετε στο φούρνο μικροκυμάτων τρόφιμα μέσα σε σακούλες FoodSaver™ βεβαιωθείτε ότι δεν έχετε υπερβεί την μέγιστη ισχύ των 180 βατ (ρύθμιση απόψυξης), τον μέγιστο χρόνο των 2 λεπτών και τη μέγιστη θερμοκρασία των 70°C (158°F).

**ΦΥΛΑΞΤΕ ΑΥΤΕΣ ΤΙΣ ΟΔΗΓΙΕΣ**

## Σύστημα στεγανοποίησης FoodSaver™

### Γιατί στεγανοποίηση;

Η έκθεση στον αέρα κάνει τα τρόφιμα να χάσουν θρεπτική αξία και γεύση και επίσης επιτρέπει την ανάπτυξη πολλών ειδών βακτηριδίων, μούχλας και ζυμομυκήτων. Το σύστημα στεγανοποίησης FoodSaver™ αφαιρεί όλο τον αέρα και διατηρεί αμείωτη την γεύση και την ποιότητα. Με μια πλήρη σειρά από σακούλες και δοχεία FoodSaver™ για να διευρύνετε τις επιλογές σας, μπορείτε τώρα να απολαύσετε τα οφέλη μιας επιστημονικά αποδεδειγμένης μεθόδου αποθήκευσης τροφίμων που διατηρεί τα τρόφιμα φρέσκα μέχρι και πέντε φορές περισσότερο.

### Το σύστημα FoodSaver™ εξοικονομεί χρόνο και χρήμα

- Ξοδέψτε λιγότερα χρήματα. Με το σύστημα FoodSaver™, μπορείτε να αγοράσετε χύμα ή στις εκπτώσεις και να στεγανοποιήσετε τα τρόφιμά σας στις επιθυμητές ποσότητες χωρίς σπατάλη.
- Εξοικονομήστε περισσότερο χρόνο. Μαγειρέψτε νωρίς για όλη τη βδομάδα, προετοιμάζοντας γεύματα και αποθηκεύοντάς τα σε σακούλες FoodSaver™.
- Μαρινάρετε σε λίγα λεπτά. Η στεγανοποίηση ανοίγει τους πόρους των τροφίμων, έτσι ώστε να μπορείτε να έχετε αυτή τη μεγάλη γεύση μαριναρίσματος σε μόλις 20 λεπτά αντί να χρειάζεστε μια νύχτα.
- Κάντε τις φιλικές συγκεντρώσεις εύκολες. Φτιάξτε τη στεσιαλιτέ σας εκ των προτέρων, ώστε να μπορείτε να περάσετε ποιοτικό χρόνο με τους καλεσμένους σας.
- Απολαύστε εποχικά ή ειδικά τρόφιμα. Κρατήστε ιδιαίτερα ευαλλοίωτα ή σπάνια χρησιμοποιούμενα είδη φρέσκα για περισσότερο καιρό.
- Ελέγχετε τις μερίδες για διαίτα. Στεγανοποιήστε λογικές μερίδες και γράψτε τις θερμίδες και το περιεχόμενο σε λίπος στη σακούλα.
- Προστατέψτε μη φαγώσιμα είδη. Κρατήστε τις προμήθειες για κάμπινγκ και κωπηλασία στεγνές και οργανωμένες για εξορμήσεις. Προστατέψτε το γυαλισμένο ασήμι από την αμαύρωση ελαχιστοποιώντας την έκθεση στον αέρα.

## Εξάρτηματα FoodSaver™

Ωφεληθείτε σε μέγιστο βαθμό από τη συσκευή σας FoodSaver™ με εύχρηστες σακούλες, δοχεία και εξάρτηματα FoodSaver™.

### Σακούλες και ρολά FoodSaver™

Οι σακούλες και τα ρολά FoodSaver™ έχουν ειδικές αυλακώσεις που δίνουν τη δυνατότητα αποτελεσματικής αφαίρεσης του αέρα. Η δομή με τις πολλές πιέτες τις κάνει ένα ιδιαίτερα αποτελεσματικό εμπόδιο για το οξυγόνο και την υγρασία και βοηθάει την πρόληψη των εγκαυμάτων κατάψυξης. Οι σακούλες και τα ρολά FoodSaver™ υπάρχουν σε μια ποικιλία μεγεθών.

## Δοχεία FoodSaver™

Τα δοχεία FoodSaver™ είναι απλά στη χρήση και ιδεώδη για τη στεγανοποίηση ευαίσθητων ειδών όπως κεκάκια και άλλα είδη αρτοποιίας, υγρά και ξηρά αγαθά.

## Σακούλες φρεσκάδας FoodSaver™ με φερμουάρ

Σακούλες FoodSaver™ με φερμουάρ με ειδικές αυλακώσεις για την αποτελεσματική αφαίρεση του αέρα. Η δομή με τις πολλές πιέτες τις κάνει ένα ιδιαίτερα αποτελεσματικό εμπόδιο για το οξυγόνο και την υγρασία και βοηθάει την πρόληψη των εγκαυμάτων κατάψυξης.

## Δοχεία φρεσκάδας FoodSaver™

Τα δοχεία φρεσκάδας FoodSaver™ είναι απλά στη χρήση και ιδεώδη για το πακετάρισμα σε κενό αέρα ευαίσθητων ειδών όπως κεκάκια και άλλα είδη αρτοποιίας, υγρά και ξηρά αγαθά.

## Πώματα φιάλης FoodSaver™

Χρησιμοποιείτε πώματα φιάλης FoodSaver™ για να στεγανοποιείτε κρασί, μη-ανθρακούχα υγρά και λάδια. Αυτό θα παρατείνει τη διάρκεια ζωής του υγρού και θα διατηρήσει τη γεύση. Μην χρησιμοποιείτε πώματα φιάλης σε πλαστικά μπουκάλια.

## Γρήγορο σύστημα μαρινάρισματος FoodSaver™

Το εμπλουτίζει το φαγητό με γεύση σε λεπτά αντί για ώρες χρησιμοποιώντας τη δύναμη του κενού για να εισχωρήσει το μαρινάρισμα βαθιά στο φαγητό.

## Παραγγελία

Για να παραγγείλετε σακούλες, ρολά και εξαρτήματα FoodSaver™ επισκεφθείτε το [www.foodsavereurope.com](http://www.foodsavereurope.com) και επιλέξτε την περιοχή σας.

## Μέρη

Ανατρέξτε στο Σχήμα 1:

- |   |                                      |
|---|--------------------------------------|
| <b>A</b> Πάνω λαστιχένιος σύνδεσμος         | <b>I</b> Λυχνία ένδειξης λειτουργίας |
| <b>B</b> Αφαιρούμενος δίσκος συλλογής υγρών | <b>J</b> Λυχνίες εξέλιξης            |
| <b>C</b> Μηχανισμός κλειδώματος καπακιού    | <b>K</b> Λυχνία εξέλιξης σφράγισης   |
| <b>D</b> Κάτω λαστιχένιος σύνδεσμος         | <b>L</b> Κομπτί σφράγισης μόνο       |
| <b>E</b> Λωρίδα σφράγισης                   | <b>M</b> Κομπτί κενού και σφράγισης  |
| <b>F</b> Πίνακας ελέγχου                    | <b>N</b> Κομπτί υγρής τροφής         |
| <b>G</b> Θύρα εξαρτημάτων                   | <b>O</b> Λυχνία υπερθέρμανσης        |
| <b>H</b> Συσκευή σφράγισης χειρός           |                                      |

## Κατασκευή σακούλας από ένα ρολό FoodSaver™

Μπορείτε να φτιάξετε τις δικές σας εξατομικευμένες σακούλες από ένα ρολό FoodSaver™. Ανατρέξτε στο Σχήμα 2:

1. Συνδέστε τον στεγανοποιητή σας σε πρίζα παροχής ρεύματος. Πιέστε και τους δυο μηχανισμούς κλειδώματος **C** και ανοίξτε το καπάκι. Βάλτε την ανοιχτή άκρη του ρολού πάνω από τη λωρίδα σφράγισης **E** έτσι ώστε η άκρη του ρολού ακουμπάει το μπροστά άκρο του κάτω λαστιχένιου συνδέσμου. Μην αφήνετε την άκρη της σακούλας να μπει στο δίσκο συλλογής υγρών.
2. Κλείστε το καπάκι εντελώς μέχρις ότου οι μηχανισμοί κλειδώματος **C** βγουν έξω. Όταν είναι κλεισμένη σωστά, θα εμφανιστεί μια πράσινη γραμμή γύρω από το μηχανισμό κλειδώματος και η πράσινη λυχνία **I** θα ανάψει.
3. Πιέστε το κομπτί σφράγισης μόνο **L** ή το κομπτί στεγανοποίησης & σφράγισης **M**.
4. Όταν η κόκκινη λυχνία εξέλιξης σφράγισης **K** σβήσει, πιέστε και τους δυο μηχανισμούς κλειδώματος και αφαιρέστε το ρολό. Το τέλος του ρολού θα έχει πλέον σφραγιστεί.
5. Μετρήστε το μήκος που απαιτείται για το συσκευαζόμενο είδος. Προσθέστε 75mm επιπλέον για να μπορέσει η σακούλα να σφραγιστεί και έπειτα κόψτε το ρολό ευθεία και κατά πλάτος.

## Исползване на уреда за вакуумиране и запечатване

Вижте Фиг. 3:

1. Τοποθετήστε το προϊόν που πρέπει να στεγανοποιηθεί μέσα στη σακούλα. Μπορείτε να χρησιμοποιήσετε μια έτοιμη σακούλα FoodSaver™ ή να φτιάξετε τη δική σας από ρολό FoodSaver™.
2. Τοποθετήστε την ανοιχτή άκρη της σακούλας στην οπή του δίσκου στάλαξης **B**.
3. Κλείστε το καπάκι και στερεώστε το με το μηχανισμό κλειδώματος. Όταν είναι κλεισμένη σωστά, θα εμφανιστεί μια πράσινη γραμμή γύρω από το μηχανισμό κλειδώματος και η πράσινη λυχνία **I** θα ανάψει.
4. Πιέστε το κομπτί στεγανοποίησης & σφράγισης **M**.
5. Ο στεγανοποιητής σας θα αρχίσει να αφαιρεί τον αέρα από τη σακούλα και μετά θα την σφραγίσει. Όταν οι λυχνίες εξέλιξης **J** σταματήσουν και η κόκκινη λυχνία εξέλιξης σφράγισης **K** έχει σβήσει, η διαδικασία έχει ολοκληρωθεί.

## Συσκευασία υγρών τροφών

Αν συσκευάζετε τροφές που είναι υγρές ή πολύ χυμώδεις, πιέστε το κομπτί υγρής τροφής **N** ΠΡΙΝ πιέσετε το κομπτί στεγανοποίησης & σφράγισης.

## Σφράγιση σακούλας χωρίς αφαίρεση αέρα

Για να σφραγίσετε μια σακούλα χωρίς να αφαιρέσετε αέρα από αυτή, πιέστε το κουμπί σφράγισης μόνοL. Μπορείτε να σφραγίσετε τους τύπους σακούλας που χρησιμοποιούνται για τη συσκευασία σνακ, όπως πατατάκια, τσιπς, πατατάκια τορτίγια κλπ.

## Σφράγιση ευαίσθητων ειδών

Μερικά είδη όπως τα δανέζικα αρτοσκευάσματα, το ψωμί, τα μπισκότα κλπ. μπορεί να συνθλιβούν κατά τη στεγανοποίηση. Για να αποφευχθεί αυτό, χρησιμοποιήστε το κουμπί σφράγισης μόνο L ως εξής:

1. Ακολουθήστε τα βήματα 1, 2, 3 και 4 του 'Χρήση του στεγανοποιητή σας'.
2. Πιέστε το κουμπί σφράγισης μόνο L πριν συμβεί η σύνθλιψη. Αυτό θα σταματήσει αμέσως την αφαίρεση περισσότερου αέρα και μετά θα σφραγίσει τη σακούλα.

## Използване на аксесоари FoodSaver™

Για να στεγανοποιήσετε μια σακούλα φρεσκάδας με φερμουάρ ή ένα δοχείο φρεσκάδας:

1. Εισάγετε την άκρη του βύσματος στη συσκευή σφράγισης χειρός H στη θύρα εξαρτημάτων G στη συσκευή FoodSaver™.
2. Τοποθετήστε την άκρη της συσκευής σφράγισης χειρός πάνω στη βαλβίδα του εξαρτήματος και βεβαιωθείτε ότι είναι σταθερά συνδεδεμένη. Ακολουθήστε τυχόν συγκεκριμένες οδηγίες που έρχονται με το εξάρτημα FoodSaver™.

Σημείωση: Για να στεγανοποιήσετε ένα δοχείο FoodSaver™, αφαιρέστε το κυρίως δοχείο (διαφανές κάτω μέρος) της συσκευής σφράγισης τραβώντας την προς τα κάτω και έξω από το πάνω μέρος. Βάλτε την άκρη της συσκευής σφράγισης στην τρύπα του δοχείου.

3. Πιέστε το κουμπί στεγανοποίησης & σφράγισης M. Ο στεγανοποιητής σας θα αρχίσει να αφαιρεί αέρα από το εξάρτημα.
4. Όταν οι λυχνίες εξέλιξης J σταματήσουν και η κόκκινη λυχνία εξέλιξης σφράγισης K έχει σβήσει, η διαδικασία έχει ολοκληρωθεί.

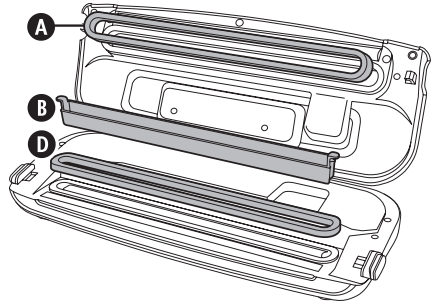
## Φροντίδα και Καθαρισμός

Μην βυθίζετε ποτέ τη συσκευή ή το καλώδιο ρεύματος και το βύσμα στο νερό ή οποιοδήποτε άλλο υγρό. Βγάζετε πάντα τη συσκευή από την πρίζα πριν την καθαρίσετε.

Σκουπίστε το σώμα της σκευής με ένα μαλακό, στεγνό πανί.

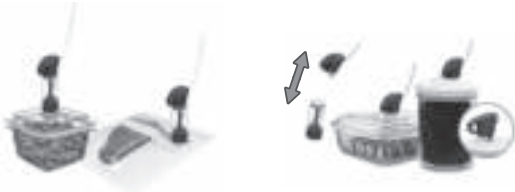
Αφαιρέστε και αδειάστε το δίσκο συλλογής υγρών B μετά από κάθε χρήση. Πλύντε τον με ζεστό νερό και σαπούνι ή βάλτε τον στο πάνω ράφι του πλυντηρίου πιάτων. Στεγνώστε καλά πριν τον επανατοποθετήσετε.

Ελέγξτε τον πάνω λαστιχένιο σύνδεσμο A, τον κάτω λαστιχένιο σύνδεσμο D και γύρω από το δίσκο συλλογής υγρών να βεβαιωθείτε ότι δεν έχουν υπολείμματα τροφίμων. Σκουπίστε τους λαστιχένιους συνδέσμους με πανί με νερό και σαπούνι αν χρειάζεται. Οι λαστιχένιοι σύνδεσμοι μπορεί να αφαιρεθούν για καθαρισμό. Καθαρίστε τους με ζεστό νερό και σαπούνι. Στεγνώστε καλά και μετά επανατοποθετήστε προσεκτικά.



Αφαιρέστε το δοχείο της συσκευής σφράγισης χειρός μετά από κάθε χρήση. Πλύντε το σε ζεστό νερό με σαπουνάδα και αφήστε το να στεγνώσει καλά πριν τον επανατοποθετήσετε.

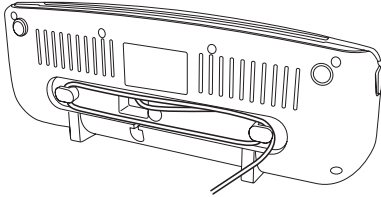
Για να συνεχίσει η συσκευή σας FoodSaver™ να λειτουργεί αποτελεσματικά, σας σας συνιστούμε να αντικαταστήσετε τα λάστιχα κάθε χρόνο. Για να παραγγείλετε ανταλλακτικά, επισκεφθείτε το [www.foodsavereurope.com](http://www.foodsavereurope.com).



## Съхранение

Κλείστε το καπάκι ως το πρώτο 'κλικ' μέχρις ότου οι μηχανισμοί κλειδώματος πιάσουν αλλά δεν βγαίνουν έξω και αποκαλύψουν την πράσινη γραμμή. Αυτό αρκεί για να ασφαλιστεί το καπάκι αλλά αποφεύγει τη συμπίεση των λαστιχένιων συνδέσμων (που μπορεί να προκαλέσει λανθασμένη λειτουργία της συσκευής).

Τυλίξτε το καλώδιο γύρω από τα πέλματα κάτω από τη μονάδα. Η μονάδα μπορεί να αποθηκευθεί σε όρθια θέση όπως φαίνεται.



## Οδηγός αποθήκευσης, χρήσιμες συμβουλές

### Στεγανοποίηση και ασφάλεια τροφίμων

Η διαδικασία στεγανοποίησης παρατείνει τη διάρκεια ζωής των τροφίμων αφαιρώντας τον περισσότερο αέρα από ένα σφραγισμένο δοχείο, μειώνοντας έτσι την οξειδωση η οποία επηρεάζει τη θρεπτική αξία, τη γεύση και τη συνολική ποιότητα. Η αφαίρεση του αέρα μπορεί επίσης να περιορίσει την ανάπτυξη μικροοργανισμών, που μπορεί να προκαλέσουν προβλήματα κάτω από ορισμένες συνθήκες:

Για την ασφαλή διατήρηση των τροφίμων, είναι ιδιαίτερα σημαντικό να διατηρείτε χαμηλές θερμοκρασίες. Μπορείτε να μειώσετε σημαντικά την ανάπτυξη των μικροοργανισμών σε θερμοκρασίες 4°C ή χαμηλότερες.

Η κατάψυξη στους -17°C δεν σκοτώνει τους μικροοργανισμούς αλλά τους εμποδίζει να αναπτυχθούν. Για μακρο-χρόνια αποθήκευση καταψύχετε πάντα τα ευαλλοίωτα τρόφιμα που έχουν στεγανοποιηθεί και διατηρήστε τα στο ψυγείο μετά την απόψυξη.

Είναι σημαντικό να σημειώσετε ότι η στεγανοποίηση ΔΕΝ αποτελεί υποκατάστατο της κονσερβοποίησης και δεν μπορεί να αντιστρέψει την χειρότερη κατάσταση των τροφίμων. Μπορεί μόνο να επιβραδύνει τις αλλαγές στην ποιότητα. Είναι δύσκολο να προβλεφθεί πόσο καιρό τα τρόφιμα θα διατηρήσουν τη γεύση υψηλής ποιότητας, την εμφάνιση ή την υφή τους, διότι εξαρτάται από την ηλικία και την κατάσταση των τροφίμων την ημέρα που στεγανοποιούνται.

Σημαντικό: Η στεγανοποίηση δεν αποτελεί υποκατάστατο της ψύξης ή της κατάψυξης. Τα ευαλλοίωτα τρόφιμα που χρειάζονται ψύξη πρέπει να εξακολουθήσουν να είναι στο ψυγείο ή την κατάψυξη μετά τη στεγανοποίηση. Για την αποφυγή πιθανής ασθένειας, μην ξαναχρησιμοποιείτε σακούλες μετά την αποθήκευση ωμών κρεάτων, ωμού ψαριού ή λιπαρών τροφίμων.

Μην ξαναχρησιμοποιείτε σακούλες που έχουν μπει στο φούρνο μικροκυμάτων ή έχουν σιγοβράσει.

## Απόψυξη και ξαναζέσταμα στεγανοποιημένων τροφίμων



Αποψύχετε πάντα τα τρόφιμα στο ψυγείο ή σε φούρνο μικροκυμάτων - μην αποψύχετε ευαλλοίωτα τρόφιμα σε θερμοκρασία δωματίου.

Τρόφιμα μέσα στη σακούλα μπορούν να αποψυχθούν αλλά όχι να ξαναζεσταθούν σε φούρνο μικροκυμάτων. Όταν αποψύχετε στο φούρνο μικροκυμάτων τρόφιμα μέσα σε σακούλες FoodSaver™ βεβαιωθείτε ότι δεν έχετε υπερβεί την μέγιστη ισχύ των 180 βατ (ρύθμιση απόψυξης), τον μέγιστο χρόνο των 2 λεπτών και τη μέγιστη θερμοκρασία των 70°C (158°F). Μπορείτε επίσης να ξαναζεσταίνετε τρόφιμα σε σακούλες FoodSaver™ σιγοβράζοντάς τις σε νερό σε χαμηλή θερμοκρασία κάτω από 75°C (170°F). Ακολουθήστε τυχόν συγκεκριμένες οδηγίες που έρχονται με το σακούλες FoodSaver™.

## Οδηγίες προετοιμασίας

### Κρέας και ψάρια



Για καλύτερα αποτελέσματα, προ-καταψύξτε το κρέας και το ψάρι για 1-2 ώρες πριν τη στεγανοποίηση μέσα σε μια σακούλα FoodSaver™. Αυτό βοηθά να διατηρηθούν τα υγρά και το σχήμα και εγγυάται μια καλύτερη σφράγιση. Αν δεν είναι δυνατόν να προ-καταψύξετε, τοποθετήστε μια διπλωμένο χαρτοπετσέτα ανάμεσα στο κρέας ή το ψάρι και το επάνω μέρος της σακούλας, αλλά κάτω από την περιοχή στεγανοποίησης.

Αφήστε μια χαρτοπετσέτα στην σακούλα για να απορροφήσει την υπερβολική υγρασία και τα υγρά κατά τη διαδικασία στεγανοποίησης.

Σημείωση: Το μοσχάρι μπορεί να φαίνεται σκουρότερο μετά την στεγανοποίηση λόγω της αφαίρεσης του οξυγόνου. Αυτό δεν είναι ένδειξη αλλοίωσης.

### Σκληρά τυριά



Για να διατηρήσετε το τυρί φρέσκο, στεγανοποιείτε το μετά από κάθε χρήση. Κάντε τη σακούλα FoodSaver™ σας πολύ μακριά αφήνοντας 25mm υλικού για τη σακούλα για κάθε φορά που σχεδιάζετε να ανοίξετε και να ξανασφραγίσετε πέραν του συνηθισμένου χώρου 75mm τον οποίο συνήθως αφήνετε μεταξύ του περιεχομένου και του σφραγίσματος.

Απλώς κόψτε την σφραγισμένη άκρη και αφαιρέστε το τυρί. Όταν είστε έτοιμοι να ξανασφραγίσετε το τυρί, απλώς βάλτε το στη σακούλα και ξανασφραγίστε.

Σημαντικό: Λόγω του κινδύνου αναερόβιων βακτηρίων, τα μαλακά τυριά δεν πρέπει ποτέ να στεγανοποιούνται.

## Λαχανικά



Τα λαχανικά πρέπει να ζεματιστούν πριν στεγανοποιηθούν. Η διαδικασία αυτή σταματά τη δράση των ενζύμων που θα μπορούσε να οδηγήσει σε απώλεια γεύσης, χρώματος και υφής.

Για το ζεμάτισμα των λαχανικών, βάλτε τα σε βραστό νερό ή στο φούρνο μικροκυμάτων μέχρι να μαγειρευτούν αλλά να είναι ακόμα τραγανά. Ο χρόνος ζεμάτισματος ποικίλει από 1 με 2 λεπτά για φυλλώδη λαχανικά και αρακά, 3 με 4 λεπτά για μπιζέλια, κολοκυθάκι κομμένο σε φέτες ή μπρόκολο, 5 λεπτά για τα καρότα και, 7 με 11 λεπτά για το καλαμπόκι. Μετά το ζεμάτισμα βυθίστε τα λαχανικά σε δροσερό νερό για να σταματήσει η διαδικασία μαγειρέματος. Τέλος, στεγνώστε τα λαχανικά σε μια πετσέτα πριν τα στεγανοποιήσετε.

**Σημείωση:** Όλα τα λαχανικά (που περιλαμβάνουν τα μπρόκολα, τα λαχανάκια Βρυξελλών, το λάχανο, το κουνουπίδι, τις λαχανίδες και τα γογγύλια) φυσικά εκπέμπουν αέρια κατά την αποθήκευση. Συνεπώς, μετά το ζεμάτισμα πρέπει να φυλάσσονται μόνο στον καταψύκτη.

Όταν καταψύχετε λαχανικά, το καλύτερο είναι να τα προ-καταψύξετε για 1-2 ώρες ή μέχρι να καταψυχθούν εντελώς. Για να καταψύξετε λαχανικά σε ξεχωριστές μερίδες, βάλτε τα πρώτα σε ένα ταψί και απλώστε τα ώστε να μην ακουμπούν το ένα το άλλο. Αυτό τα εμποδίζει να καταψυχθούν μαζί σε μια μάζα. Μόλις καταψυχθούν, βγάλτε τα λαχανικά από το ταψί και στεγανοποιήστε τα σε μια σακούλα FoodSaver™. Μόλις στεγανοποιηθούν, βάλτε τα πάλι στην κατάψυξη.

**Σημαντικό:** Λόγω του κινδύνου αναιερόβιων βακτηρίων, φρέσκα μανιτάρια, κρεμμύδι και σκόρδο δεν πρέπει ποτέ να στεγανοποιούνται.

## Φυλλώδη λαχανικά



Για καλύτερα αποτελέσματα χρησιμοποιήστε ένα δοχείο για να αποθηκεύσετε φυλλώδη λαχανικά. Πρώτα πλύνετε τα λαχανικά και μετά στεγνώστε τα με μια πετσέτα ή με ένα στραγγιστήρι σαλάτας. Μόλις στεγνώσουν, βάλτε τα σε ένα δοχείο και στεγανοποιήστε τα κανονικά. Φυλάξτε στο ψυγείο.

## Φρούτα



Όταν καταψύχετε μαλακά φρούτα ή μούρα, το καλύτερο είναι να τα προ-καταψύχετε για 1-2 ώρες ή μέχρι να καταψυχθούν εντελώς. Για να καταψύξετε φρούτα σε ξεχωριστές μερίδες, βάλτε τα πρώτα σε ένα ταψί και απλώστε τα ώστε να μην ακουμπούν το ένα το άλλο. Αυτό τα εμποδίζει να καταψυχθούν μαζί σε μια μάζα. Μόλις καταψυχθούν, βγάλτε τα από το ταψί και στεγανοποιήστε τα σε μια σακούλα FoodSaver™.

Μόλις στεγανοποιηθούν, βάλτε τα πάλι στην κατάψυξη. Μπορείτε να στεγανοποιήσετε μερίδες για ψήσιμο ή στους αγαπημένους σας συνδυασμούς για εύκολη φρουτοσαλάτα όλο το χρόνο. Αν τα φυλάτε σε ψυγείο, συνιστούμε τη χρήση ενός δοχείου FoodSaver™.

## Είδη αρτοποιίας



Για να στεγανοποιήσετε μαλακά ή ελαφριά είδη αρτοποιίας, συνιστούμε τη χρήση ενός δοχείου FoodSaver™ έτσι ώστε να διατηρήσουν το σχήμα τους. Αν χρησιμοποιείτε σακούλα, προ-καταψύξτε για 1-2 ώρες ή μέχρι να καταψυχθούν εντελώς. Για να εξοικονομήσετε χρόνο, φτιάξτε ζύμη μπισκότων, βάσεις για πίτες, ολόκληρες πίτες ή ανακατέψτε ξηρά υλικά εκ των προτέρων και στεγανοποιήστε τα για να τα χρησιμοποιήσετε αργότερα.

## Καφές και τρόφιμα σε σκόνη



Για να εμποδίσετε σωματίδια από τρόφιμα να απορροφηθούν από την αντλία κενού, τοποθετήστε ένα φίλτρο καφέ ή μια χαρτοπετσέτα στην κορυφή της σακούλας ή του δοχείου πριν την στεγανοποίηση. Μπορείτε επίσης να βάλετε τρόφιμα στην αρχική τους σακούλα μέσα σε μια σακούλα FoodSaver™ ή να χρησιμοποιήσετε ένα γενικό καπάκι FoodSaver™ με το αρχικό δοχείο για να στεγανοποιήσετε.

## Υγρά



Πριν στεγανοποιήσετε υγρά όπως ζωμό για σουπές, προ-καταψύξτε τα σε ένα πυρίμαχο σκεύος, φόρμα ψωμιού ή παγοθήκη μέχρι να στερεοποιηθούν. Αφαιρέστε το κατεψυγμένο υγρό και στεγανοποιήστε σε μια σακούλα FoodSaver™.

Μπορείτε να στοιβάξετε αυτά τα 'παγωμένα τουβλάκια' στον καταψύκτη σας.

Όταν είστε έτοιμοι να τα χρησιμοποιήσετε, απλά κόψτε μια γωνία της σακούλας και τοποθετήστε τα σε ένα πιάτο στο φούρνο μικροκυμάτων ή ρίξτε τα μέσα σε νερό που σιγοβράζει σε χαμηλή θερμοκρασία, κάτω από 75°C (170°F).

Για να στεγανοποιήσετε μη ανθρακούχα εμφιαλωμένα υγρά, μπορείτε να χρησιμοποιήσετε ένα πώμα FoodSaver™ με το αρχικό δοχείο.

Θυμηθείτε να αφήσετε τουλάχιστο 25mm χώρο μεταξύ του περιεχομένου και του κάτω μέρους του πώματος. Μπορείτε να ξανασφραγίσετε τα μπουκάλια μετά από κάθε χρήση.

## Προκατασκευασμένα γεύματα, περισσεύματα και σάντουιτς



Αποθηκεύστε αποτελεσματικά τα προκατασκευασμένα γεύματά σας, τα περισσεύματα και τα σάντουιτς στα στιβαζόμενα, ελαφρά δοχεία FoodSaver™.

Μπορούν να μπουν στο φούρνο μικροκυμάτων,

στο πάνω ράφι του πλυντηρίου πιάτων και έρχονται με έναν εξατομικευμένο μετασχηματιστή.


Τα ελαφρά δοχεία είναι έτοιμα για το γραφείο, το σχολείο ή την ύπαιθρο όπου και να είσαστε!

## Σνακ



Τα σνακ σας θα διατηρήσουν τη φρεσκάδα τους περισσότερο όταν τα στεγανοποιήσετε. Για βέλτιστα αποτελέσματα, χρησιμοποιείτε ένα δοχείο FoodSaver™ για είδη που σπάνε όπως τα μπισκότα.

## Επίλυση προβλημάτων

Πρόβλημα	Λύση
Η λυχνία υπερθέρμανσης  ανάβει.	<ul style="list-style-type: none"><li>• Η συσκευή υπερθερμαίνεται. Περιμένετε να σβήσει η λυχνία υπερθέρμανσης πριν χρησιμοποιήσετε.</li></ul>
Η αντλία λειτουργεί για πάνω από 2 λεπτά χωρίς να αφαιρείται αέρας.	<ul style="list-style-type: none"><li>• Βεβαιωθείτε ότι η ανοιχτή άκρη της σακούλας είναι μέσα στο δίσκο συλλογής υγρών.</li><li>• Ελέγξτε να βεβαιωθείτε ότι και οι δυο λαστιχένιοι σύνδεσμοι είναι σωστά τοποθετημένοι.</li><li>• Ελέγξτε να βεβαιωθείτε ότι τουλάχιστο μια άκρη της σακούλας είναι σφραγισμένη.</li><li>• Ανοίξτε τη μονάδα και ελέγξτε για να βεβαιωθείτε ότι δεν υπάρχουν ξένα σώματα, βρωμιά ή υπολείμματα στον πάνω ή τον κάτω λαστιχένιο σύνδεσμο.</li><li>• Βεβαιωθείτε ότι υπάρχει αρκετός χώρος στο επάνω μέρος της σακούλας (75 mm) ώστε να χωράει στο δίσκο συλλογής υγρών με το καπάκι κλειστό και κλειδωμένο.</li><li>• Βεβαιωθείτε ότι η συσκευή σφράγισης χειρός δεν είναι συνδεδεμένη.</li><li>• Βεβαιωθείτε ότι το καπάκι είναι εντελώς κλειστό (η πράσινη γραμμή φαίνεται γύρω από το μηχανισμό κλειδώματος και το πράσινο φως λειτουργίας είναι αναμμένο).</li></ul>
Η σακούλα δεν σφραγίζεται καλά.	<ul style="list-style-type: none"><li>• Υπάρχει πολύ υγρό στη σακούλα. Καταψύξτε το περιεχόμενο της σακούλας πριν στεγανοποιήσετε.</li><li>• Για να μην τσαλακώνεται η σφράγιση, τεντώστε απαλά τη σακούλα για να ισιώσει καθώς την βάζετε στο δίσκο συλλογής υγρών και συνεχίστε να κρατάτε τη σακούλα μέχρι να αρχίσει η αντλία κενού.</li><li>• Δημιουργήστε ένα δεύτερο σφράγισμα πάνω από το πρώτο σφράγισμα στη σακούλα για να εξασφαλίσετε σωστό σφράγισμα όταν σφραγίζετε υγρές τροφές.</li></ul>
Τίποτε δεν συμβαίνει όταν ο μηχανισμός κλειδώματος είναι κλειστός και το κουμπί στεγανοποίησης & σφράγισης ή το κουμπί σφράγισης μόνο είναι πιεσμένο.	<ul style="list-style-type: none"><li>• Βεβαιωθείτε ότι το καπάκι είναι εντελώς κλειστό (η πράσινη γραμμή φαίνεται γύρω από το μηχανισμό κλειδώματος και το πράσινο φως λειτουργίας είναι αναμμένο).</li></ul>
Αν χρειάζεστε περαιτέρω βοήθεια:	<ul style="list-style-type: none"><li>• Επισκεφθείτε το <a href="http://www.foodsavereurope.com">www.foodsavereurope.com</a> και διαλέξτε την περιοχή σας.</li></ul>

## ΕΓΓΥΗΣΗ

Παρακαλώ κρατείστε την απόδειξή σας καθώς θα σας ζητηθεί για οποιαδήποτε αξίωση στο πλαίσιο της παρούσας εγγύησης. Η συσκευή αυτή έχει εγγύηση 2 ετών μετά την αγορά σας, όπως περιγράφεται στο παρόν έντυπο.

Κατά τη διάρκεια αυτής της περιόδου εγγύησης, στην απίθανη περίπτωση που η συσκευή δεν λειτουργεί πλέον λόγω σχεδιαστικού ή κατασκευαστικού ελαττώματος, παρακαλώ επιστρέψτε τη στο σημείο αγοράς, με την απόδειξή σας και αντίγραφο της παρούσας εγγύησης.

Τα δικαιώματα και οφέλη στο πλαίσιο αυτής της εγγύησης είναι επιπλέον των θεσμοθετημένων σας δικαιωμάτων, τα οποία δεν επηρεάζονται από την παρούσα εγγύηση. Μόνο η Jarden Consumer Solutions (Europe) Ltd. ("JCS (Europe)") έχει το δικαίωμα να αλλάξει αυτούς τους όρους.

Η JCS (Europe) αναλαμβάνει εντός της περιόδου εγγύησης να επισκευάσει ή να αντικαταστήσει δωρεάν τη συσκευή, ή οποιοδήποτε μέρος της συσκευής βρίσκεται να μην λειτουργεί όπως θα έπρεπε, με την προϋπόθεση ότι:

- θα ειδοποιήσετε εγκαίρως το σημείο αγοράς ή τη JCS (Europe) για το πρόβλημα και
- η συσκευή δεν έχει τροποποιηθεί με οποιονδήποτε τρόπο ή έχει υποστεί βλάβη, εσφαλμένη χρήση, κατάχρηση, επισκευή ή τροποποίηση από άτομο που δεν έχει εξουσιοδοτηθεί από τη JCS (Europe).

Αυτή η εγγύηση δεν καλύπτει ελαττώματα που προκύπτουν λόγω εσφαλμένης χρήσης, βλάβης, κατάχρησης, χρήσης με λάθος τάση, ανωτέρας βίας, συμβάντων εκτός του ελέγχου της JCS (Europe), επισκευής ή τροποποίησης από άτομο που δεν έχει εξουσιοδοτηθεί από την JCS (Europe) ή αν δεν έχουν ακολουθηθεί οι οδηγίες χρήσης. Επίσης, η εγγύηση αυτή δεν καλύπτει φυσικές φθορές, που περιλαμβάνουν και χωρίς να περιορίζονται στο ελαφρύ ξεθώριασμα και τις γρατσουνιές.

Τα δικαιώματα στο πλαίσιο αυτής της εγγύησης ισχύουν μόνο για τον αρχικό αγοραστή και δεν επεκτείνονται σε εμπορική ή δημόσια χρήση.

Εάν η συσκευή σας περιλαμβάνει εγγύηση ή γραπτή εγγύηση καλής λειτουργίας συγκεκριμένα για τη χώρα σας, παρακαλώ ανατρέξτε στους όρους και τις προϋποθέσεις της εν λόγω ισχύουσας εγγύησης ή γραπτής εγγύησης καλής λειτουργίας ή επικοινωνήστε με τον τοπικό εξουσιοδοτημένο πωλητή σας για περισσότερες πληροφορίες.

Απόβλητα ηλεκτρικών προϊόντων δεν θα πρέπει να απορρίπτονται με τα οικιακά απορρίμματα. Παρακαλώ κάντε ανακύκλωση όταν υπάρχουν εγκαταστάσεις. Στείλτε μας e-mail στη διεύθυνση enquiriesEurope@jardencs.com για περισσότερες πληροφορίες ανακύκλωσης και πληροφορίες για τα απόβλητα ηλεκτρικού και ηλεκτρονικού εξοπλισμού.

Jarden Consumer Solutions (Europe) Limited  
5400 Lakeside  
Cheadle Royal Business Park  
Cheadle  
SK8 3GQ  
United Kingdom





**UK:** Jarden Consumer Solutions (Europe) Limited  
5400 Lakeside, Cheadle Royal Business Park,  
Cheadle, SK8 3GQ, United Kingdom  
e-mail: [enquiriesEurope@jardencs.com](mailto:enquiriesEurope@jardencs.com)  
Tel: +44 (0)161 621 6900

**FR:** Jarden Consumer Solutions (Europe) Limited  
420 Rue D'Estienne D'Orves  
92705 Colombes, France  
e-mail: [serviceinfoFrance@jardencs.com](mailto:serviceinfoFrance@jardencs.com)  
Tel: +33 1 49 64 20 60

**ES/PT:** Jarden Consumer Solutions (Europe) Limited  
Edif. Vázquez Krasnow  
C/ Camino de la Zarzuela, 21  
1º - Oficina 1B  
28023 – Aravaca  
Madrid, España  
Tel: +34 90 2051506

**IT:** NITAL S.p.A.  
Via Vittime di Piazza Fontana, 54  
10024  
Moncalieri Torino  
Tel: +39 011 814488

**NL:** IT&M BV  
Park Forum 1110,  
5657 HK Eindhoven  
e-mail: [info@itmonline.nl](mailto:info@itmonline.nl)  
Tel: +31 40 290 11 30

**DK, FI, NO, SE:** Acreto AB  
Norra Ågatan 10  
416 64 Göteborg, Sweden  
Tel: +46 31 30 00 500  
Fax: +46 31 30 00 501  
[www.acreto.se](http://www.acreto.se)



For Customer Service details, please see the website.  
Pour le service consommateurs, veuillez consulter le site web.  
Para más información de servicio, por favor visite nuestra página web.

[www.foodsavereurope.com](http://www.foodsavereurope.com)

© 2017 Jarden Consumer Solutions (Europe) Limited.

All rights reserved. Imported and distributed by Jarden Consumer Solutions (Europe) Limited,  
5400 Lakeside, Cheadle Royal Business Park, Cheadle, SK8 3GQ, United Kingdom.  
Jarden Consumer Solutions (Europe) Limited is a subsidiary of Newell Brands Inc. (NYSE: NWL).  
The product supplied may differ slightly from the one illustrated due to continuing product development.

Printed In China

Tous droits réservés. Distribué par Jarden Consumer Solutions (Europe) Limited,  
5400 Lakeside, Cheadle Royal Business Park, Cheadle, SK8 3GQ, United Kingdom.  
Jarden Consumer Solutions (Europe) Limited est une filiale de Newell Brands Inc. (NYSE: NWL).  
En raison du développement continu de nos produits, le produit livré risque de varier légèrement de l'illustration.

Imprimé en Chine

Todos los derechos reservados. Distribuido por Jarden Consumer Solutions (Europe) Limited,  
5400 Lakeside, Cheadle Royal Business Park, Cheadle, SK8 3GQ, Reino Unido.  
Jarden Consumer Solutions (Europe) Limited es una filial de Newell Brands Inc. (NYSE: NWL).  
El producto suministrado puede diferir ligeramente del mostrado en la imagen debido al desarrollo permanente de los productos.

Impreso en China